



The Future of Analog IC Technology™

# EV1519DQL-00A

1x, 1.5x, 2x High Efficiency Charge Pump  
3 White LED Driver Evaluation Board

## DESCRIPTION

The EV1519DQL-00A is an evaluation board for the MP1519, a fully automatic driver for powering three white LEDs, with up to 4V forward voltage, from a single Li-Ion or three NiMH cells. The driver performs all of the sensing and control to run the LEDs at an optimum charge pump ratio for efficiency without an expensive inductor. The driver allows PWM operation to support brightness control.

The tiny 3mm x 3mm QFN16 package and small external capacitors allow for the most compact white LED solution available.

## ELECTRICAL SPECIFICATIONS

Parameter	Symbol	Value	Units
# of WLEDs		3	
Input Voltage	V <sub>IN</sub>	2.5 – 5.5	V
LED Current	I <sub>LED</sub>	20	mA

## FEATURES

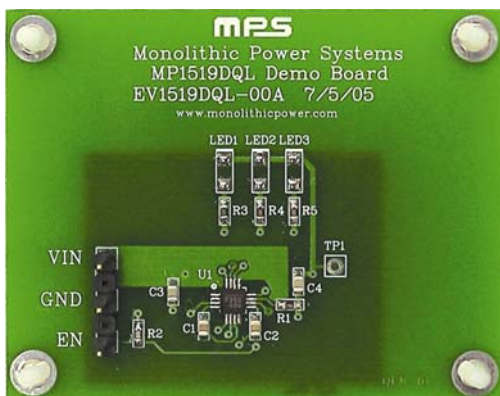
- 2% LED Current Matching
- High Efficiency (>93%)
- Current Source Outputs
- No Ballast Resistors Required
- 1x, 1.5x and 2x Automatic Modes
- Constant Frequency Operation
- Automatic LED Detection
- High and Low Frequency PWM Capability
- 2.5V to 5.5V Operation
- Less than 1µA Leakage during Shutdown
- Detects Changes in Battery Level
- No External Schottky Diode Required
- Soft-Start and Soft Switching Operation

## APPLICATIONS

- Cell Phones
- PDA or Hand Held Computers
- White LED Application at 3.6V Supply

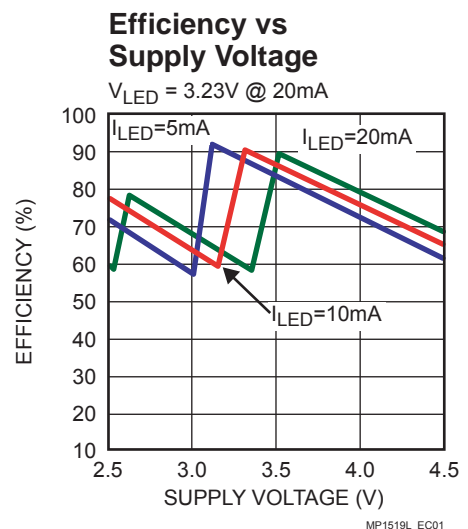
"MPS" and "The Future of Analog IC Technology" are Trademarks of Monolithic Power Systems, Inc.

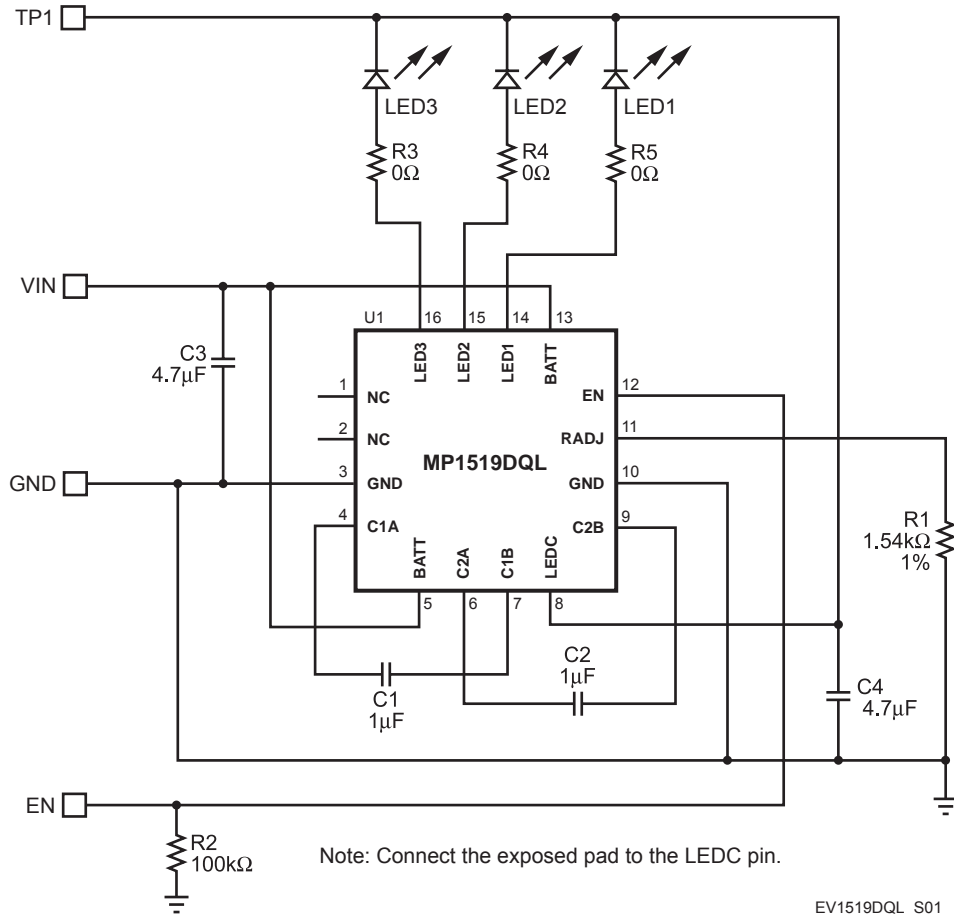
## EV1519DQL-00A EVALUATION BOARD



Dimensions (2.3"X x 1.8"Y x 0.4"Z)

Board Number	MPS IC Number
EV1519DQL-00A	MP1519DQL



**EVALUATION BOARD SCHEMATIC**

**EV1519DQL-00A BILL OF MATERIALS**

Qty	Ref	Value	Description	Package	Manufacturer	Manufacturer P/N
2	C1, C2	1μF	Ceramic Cap., 10V, X7R	0805	TDK	C2012X7R1A105K
2	C3, C4	4.7μF	Ceramic Cap., 6.3V, X5R	0805	TDK	C2012X5R0J475K
3	LED1, LED2, LED3		Not Stuffed			
1	R1	1.54kΩ	Resistor, 1%	0805	Panasonic	ERJ-6ENF1541V
1	R2	100kΩ	Resistor, 5%	0805	Panasonic	ERJ-6GEYJ104V
3	R3, R4, R5	0Ω	Resistor, 5%	0805	Yageo	9C08052A0R00JLHFT
1	U1		MP1519DQL	QFN16 (3x3)	MPS	MP1519DQL

## PRINTED CIRCUIT BOARD LAYOUT

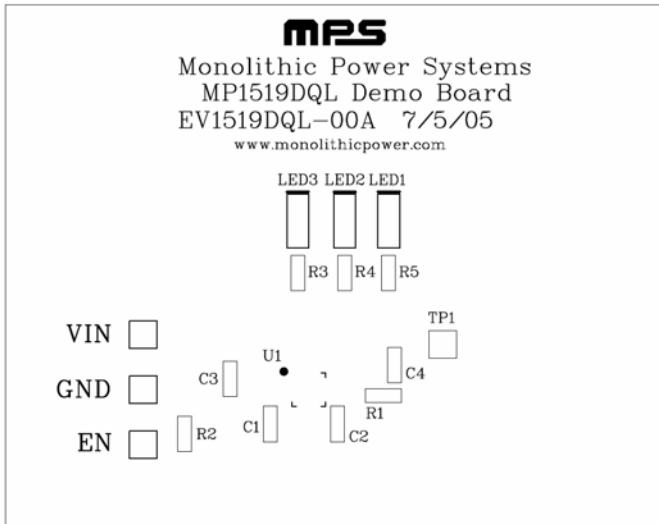


Figure 1—Top Silk Layer

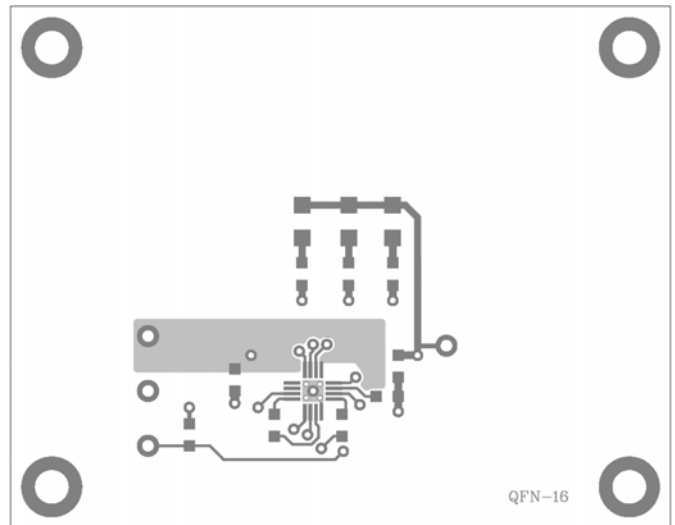


Figure 2—Top Layer

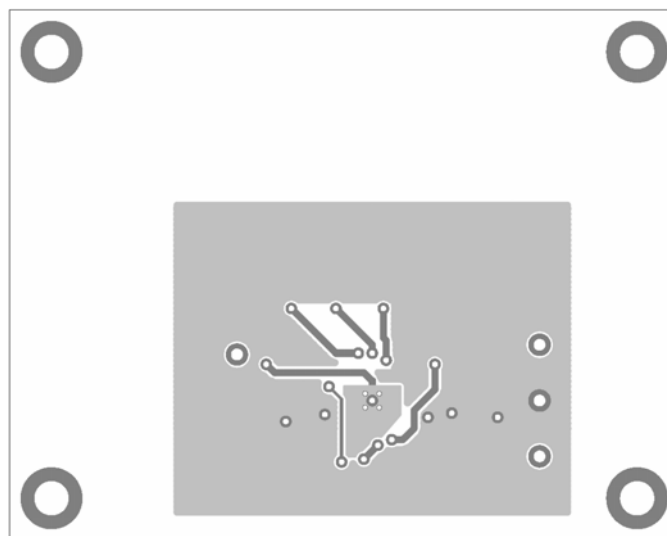


Figure 3—Bottom Layer

## QUICK START GUIDE

1. Solder LED1 – LED3 to the board.
2. Attach the positive and negatives terminals of the power supply (2.5V – 5.5V) to the VIN and GND pins, respectively.
3. Drive EN high to enable the MP1519DQL. Leave EN disconnected to disable the MP1519DQL.
4. To use burst mode brightness control, drive EN with a PWM signal.

**NOTICE:** The information in this document is subject to change without notice. Please contact MPS for current specifications. Users should warrant and guarantee that third party Intellectual Property rights are not infringed upon when integrating MPS products into any application. MPS will not assume any legal responsibility for any said applications.