

**PLEASE CHECK WWW.MOLEX.COM FOR LATEST PART INFORMATION**

**Part Number:** [0950435895](#)  
**Status:** **Active**  
**Overview:** [modular\\_plugs\\_jacks](#)  
**Description:** Modular Plug, Short Body, Shielded, 8/8, Yellow Boot, Cat5 for 6.00mm (.236") Cable Outside Diameter

**Documents:**

[3D Model](#) [Product Specification PS-95043 \(PDF\)](#)  
[Drawing \(PDF\)](#) [RoHS Certificate of Compliance \(PDF\)](#)

**Agency Certification**

CSA LR19980  
 UL E107635

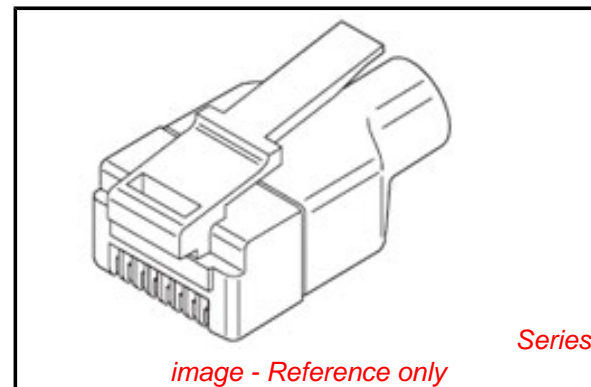
**General**

Product Family Modular Jacks/Plugs  
 Series [95043](#)  
 Comments Colored Boot|Cable to Plug Tensile Strength: 98.0N (22 lb)  
 Component Type Wire Plug  
 Magnetic No  
 Overview [modular\\_plugs\\_jacks](#)  
 Performance Category 5  
 Power over Ethernet (PoE) N/A  
 Product Name RJ45

**Physical**

Boot Color YELLOW  
 Color - Resin Clear  
 Durability (mating cycles max) 750  
 Flammability 94V-2  
 Inverted / Top Latch N/A  
 Lightpipes/LEDs None  
 Material - Metal Copper Alloy, Phosphor Bronze  
 Material - Plating Mating Gold  
 Material - Plating Termination Tin  
 Material - Resin Polycarbonate  
 Orientation N/A  
 PCB Locator No  
 PCB Retention None  
 Packaging Type Bag  
 Pitch - Mating Interface (in) 0.040 In  
 Pitch - Mating Interface (mm) 1.02 mm  
 Plating min: Mating (µin) 12  
 Plating min: Mating (µm) 0.3  
 Plating min: Termination (µin) 50.8  
 Plating min: Termination (µm) 1.27  
 Ports 1  
 Positions / Loaded Contacts 8/8  
 Surface Mount Compatible (SMC) N/A  
 Temperature Range - Operating -40°C to +60°C  
 Termination Interface: Style IDT or Pierce  
 Waterproof / Dustproof No  
 Wire/Cable Type Round

**Electrical**



**EU RoHS**

**ELV and RoHS Compliant**  
**REACH SVHC**  
 Not Reviewed  
**Halogen-Free Status**  
 Not Reviewed

**China RoHS**



**Need more information on product environmental compliance?**

Email [productcompliance@molex.com](mailto:productcompliance@molex.com)  
 For a multiple part number RoHS Certificate of Compliance, [click here](#)

Please visit the [Contact Us](#) section for any non-product compliance questions.

**Search Parts in this Series**

[95043Series](#)

**Mates With**

FCC 68 Jacks

**Application Tooling | FAQ**

*Tooling specifications and manuals are found by selecting the products below. Crimp Height Specifications are then contained in the Application Tooling Specification document.*

**Global**

Description	Product #
Termination Machine, Modular Plug	<a href="#">0623001400</a>
Parallel Action Handtool for 95043 Shielded Plug, FCC 68, 8/8 Circuit, Short Body	<a href="#">0690081104</a>

Current - Maximum per Contact	1.5A
Grounding to Panel	N/A
Shielded	Yes
Voltage - Maximum	125V AC (RMS)/DC

### **Material Info**

### **Reference - Drawing Numbers**

Application Specification	AS-95043
Packaging Specification	PK-95043
Product Specification	PS-95043
Sales Drawing	SDA-95043

This document was generated on 06/07/2010

**PLEASE CHECK [WWW.MOLEX.COM](http://WWW.MOLEX.COM) FOR LATEST PART INFORMATION**

**NOTES :**

1- MATERIAL :

PLUG HOUSING :

CLEAR POLYCARBONATE

TERMINALS :

PHOSPHOR BRONZE PLATED WITH  
(0.00127 MM)/.000050 INCH MIN. GOLD IN  
CONTACT AREA, (0.00127 MM)/.000050 INCH  
MIN. PURE TIN IN PIERCE AREA BOTH OVER  
(0.00127 MM)/.000050 INCH MIN. NICKEL

SHIELD :

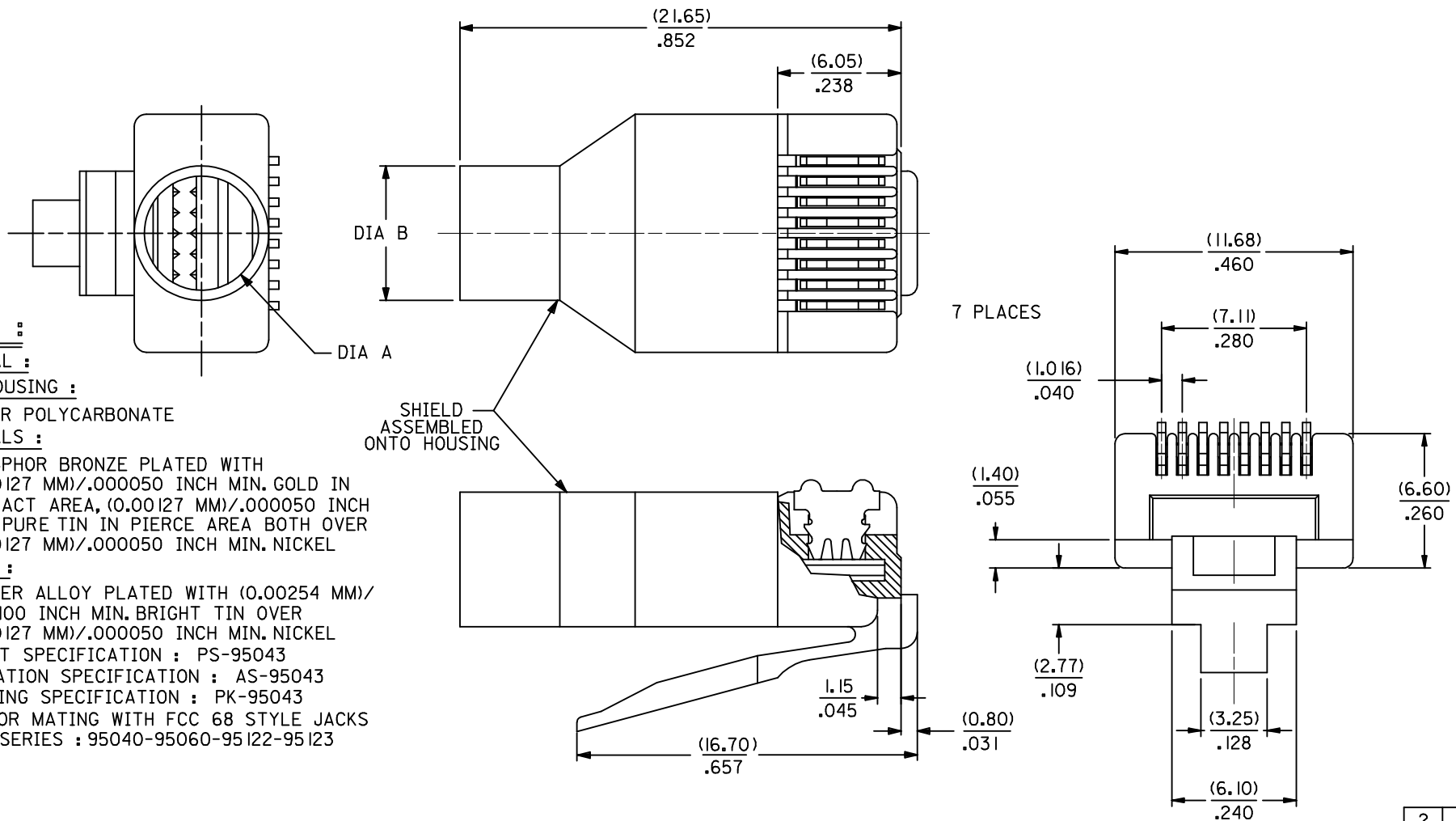
COPPER ALLOY PLATED WITH (0.00254 MM)/  
.000100 INCH MIN. BRIGHT TIN OVER  
(0.00127 MM)/.000050 INCH MIN. NICKEL

2- PRODUCT SPECIFICATION : PS-95043

3- APPLICATION SPECIFICATION : AS-95043

4- PACKAGING SPECIFICATION : PK-95043

5- PLUG FOR MATING WITH FCC 68 STYLE JACKS  
MOLEX SERIES : 95040-95060-95122-95123

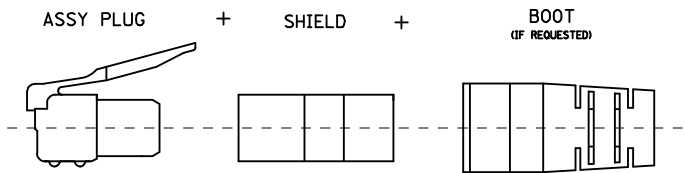


2	J
1	K

SEE SHEET 2 EC NO: E2009-0512 DRWING: CARTON 2009/04/17 CHKD: 2009/04/17 APPR: J WALLACE 2009/04/17	QUALITY SYMBOLS	GENERAL TOLERANCES (UNLESS SPECIFIED)	DIMENSION STYLE	SCALE	DESIGN UNITS	THIRD ANGLE PROJECTION
	▽=0 C=0	mm INCH 4 PLACES ± --- ± --- 3 PLACES ± --- ± .010 2 PLACES ± 0.25 ± .014 1 PLACE ± 0.35 ± --- ANGULAR ± 2 °	MM/IN	1:1	METRIC	
	DESCRIPTION	DRAWN BY	DATE	TITLE	SHIELDED MODULAR PLUG 8 POSITION FOR ROUND CABLE	
	REV	CHECKED BY	DATE	MOLEX INCORPORATED		SHEET NO.
	APPROVED BY	DATE	MATERIAL NO.	DOCUMENT NO.	1 OF 2	
			SEE SHEET 2	SDA-95043		
			THIS DRAWING CONTAINS INFORMATION THAT IS PROPRIETARY TO MOLEX INCORPORATED AND SHOULD NOT BE USED WITHOUT WRITTEN PERMISSION			

ASSEMBLY PART NUMBER	TOOLED	CABLE DIAMETER	BOOT		DIM A	DIM B	'MG' MARK	PARTS/ UNIT	PACKAGING VERSION	
			COLOR	RAL NBR						
95043-1881	YES	(5.10-5.60)/.200-.220	NO	N/A	N/A	(5.60)/.220	(6.60)/.260	NO	I	A
95043-2881	YES	↑	NO	N/A	N/A	↑	↑	YES	I	A
95043-2891	YES	↑	YES	BLACK	9005	↑	↑	YES	I	A
95043-2892	YES	↑	YES	GREY	7012	↑	↑	YES	I	A
95043-2893	YES	↑	YES	GREEN	6016	↑	↑	YES	I	A
95043-2894	YES	↑	YES	RED	3000	↑	↑	YES	I	A
95043-2895	YES	↑	YES	YELLOW	1021	↑	↑	YES	I	A
95043-2896	YES	↑	YES	BLUE	5015	↑	↑	YES	I	A
95043-3891	YES	↓	YES	BLACK	9005	↓	↓	YES	1000	A
95043-6891	YES	(5.10-5.60)/.200-.220	YES	BLACK	9005	(5.60)/.220	(6.60)/.260	YES	5	B
95043-4881	YES	(5.60-6.20)/.220-.244	NO	N/A	N/A	(6.20)/.244	(7.20)/.283	NO	I	A
95043-5881	YES	↑	NO	N/A	N/A	↑	↑	YES	I	A
95043-5891	YES	↑	YES	BLACK	9005	↑	↑	YES	I	A
95043-5892	YES	↑	YES	GREY	7012	↑	↑	YES	I	A
95043-5893	YES	↑	YES	GREEN	6016	↑	↑	YES	I	A
95043-5894	YES	↑	YES	RED	3000	↑	↑	YES	I	A
95043-5895	YES	↑	YES	YELLOW	1021	↑	↑	YES	I	A
95043-5896	YES	↓	YES	BLUE	5015	↓	↓	YES	I	A
95043-5897	YES	(5.60-6.20)/.220-.244	YES	BLACK	9005	(6.20)/.244	(7.20)/.283	YES	I	C

## SHIELDED PLUG COMPOSITION



<b>ADDED OPTION</b> EC NO: E2009-0512 DRWNG: CARTON 2009/04/17 CHKD: 2009/04/17 APPR: J WALLACE 2009/04/17 REV J	QUALITY SYMBOLS ▽=0 ◻=0	GENERAL TOLERANCES (UNLESS SPECIFIED) <table border="1" style="width: 100%; border-collapse: collapse;"> <thead> <tr> <th></th> <th>mm</th> <th>INCH</th> </tr> </thead> <tbody> <tr> <td>4 PLACES</td> <td>± ---</td> <td>± ---</td> </tr> <tr> <td>3 PLACES</td> <td>± ---</td> <td>± .010</td> </tr> <tr> <td>2 PLACES</td> <td>± 0.25</td> <td>± .014</td> </tr> <tr> <td>1 PLACE</td> <td>± 0.35</td> <td>± ---</td> </tr> </tbody> </table> ANGULAR ± 2 °		mm	INCH	4 PLACES	± ---	± ---	3 PLACES	± ---	± .010	2 PLACES	± 0.25	± .014	1 PLACE	± 0.35	± ---	DIMENSION STYLE <b>MM/IN</b> DRAWN BY: CB CHECKED BY: TB APPROVED BY: FB MATERIAL NO.: SEE CHART	SCALE <b>1:1</b>	DESIGN UNITS <b>METRIC</b>	THIRD ANGLE PROJECTION 	TITLE <b>SHIELDED MODULAR PLUG 8 POSITION FOR ROUND CABLE</b>
		mm	INCH																			
	4 PLACES	± ---	± ---																			
	3 PLACES	± ---	± .010																			
2 PLACES	± 0.25	± .014																				
1 PLACE	± 0.35	± ---																				
<b>MOLEX INCORPORATED</b>																						
DRAFT WHERE APPLICABLE MUST REMAIN WITHIN DIMENSIONS				DOCUMENT NO. <b>SDA-95043</b>	SHEET NO. <b>2 OF 2</b>																	
THIS DRAWING CONTAINS INFORMATION THAT IS PROPRIETARY TO MOLEX INCORPORATED AND SHOULD NOT BE USED WITHOUT WRITTEN PERMISSION																						