

PLEASE CHECK WWW.MOLEX.COM FOR LATEST PART INFORMATION

Part Number: **0505567412**
Status: **Active**
Description: Ring Tongue Terminal for 6 AWG, Closed Uninsulated Brazed Barrel, Stud Size 1/2" (M12), Oxygen-Free Copper, Length 41.00mm (1.614")

Documents:

[Drawing \(PDF\)](#) [RoHS Certificate of Compliance \(PDF\)](#)
[Product Specification PS-50555-001 \(PDF\)](#)

Agency Certification

UL E134962

General

Product Family Ring and Spade Terminals
 Series [50556](#)
 Crimp Quality Equipment Yes
 Mil-Spec N/A
 Product Name R (Ring)
 Type Ring

Physical

Barrel Type Closed - Brazed
 Insulation None
 Material - Plating Mating Tin
 Packaging Type Bag
 Plating min: Mating (µin) 40
 Plating min: Mating (µm) 1
 Plating min: Termination (µin) 40
 Plating min: Termination (µm) 1
 Stud Size 1/2" (M12)
 Termination Interface: Style Crimp or Compression
 Wire Size AWG 6
 Wire Size mm² 10.52 - 16.78

Material Info

Reference - Drawing Numbers

Product Specification PS-50555-001
 Sales Drawing SD-50556-001



image - Reference only

Series

EU RoHS

ELV and RoHS Compliant

REACH SVHC

Not Reviewed

Halogen-Free

Status

Not Reviewed

China RoHS



Need more information on product environmental compliance?

Email productcompliance@molex.com
 For a multiple part number RoHS Certificate of Compliance, [click here](#)

Please visit the [Contact Us](#) section for any non-product compliance questions.

Search Parts in this Series

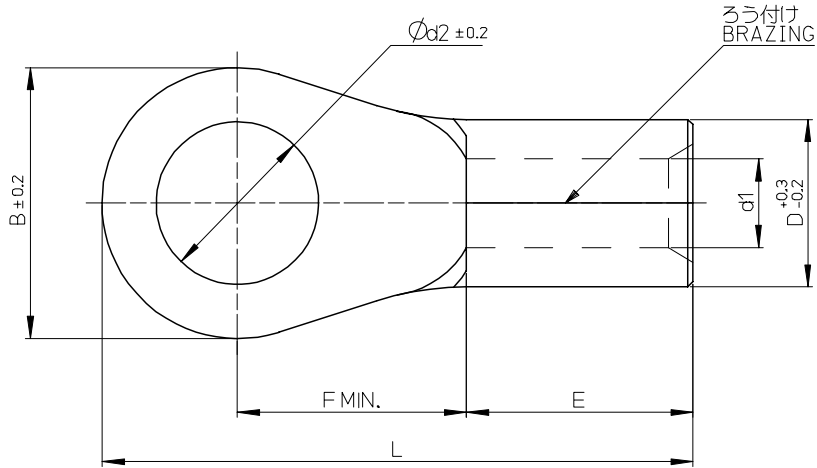
[50556Series](#)

Application Tooling | FAQ

Tooling specifications and manuals are found by selecting the products below. Crimp Height Specifications are then contained in the Application Tooling Specification document.

Japan

Description	Product #
Battery Type Hand Crimper For JIS Terminal	0573439004

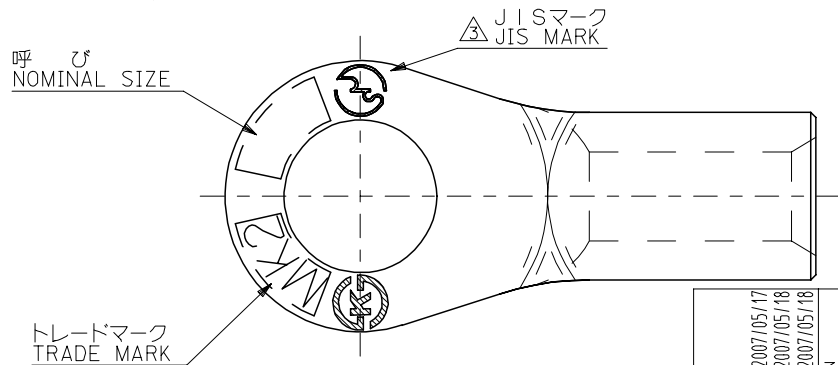
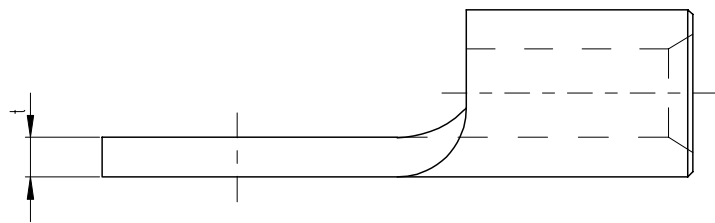


注記 NOTES

- 材質 MATERIAL
 端子：無酸素銅、錫めっき
 TERMINAL: OXYGEN-FREE COPPER, TIN PLATING
 ろう付け部：りん銅ろう
 PART OF BRAZING : COPPER PHOSPHORUS BRAZING FILLER METALS
- 適用電線 APPLICABLE WIRE RANGE

単線 SOLID WIRE	撚線 STRANDED WIRE
3.65 ~ 4.62 mm	10.52 ~ 16.78 mm ²

△ JIS認定品にのみ刻印。
 DIE STAMPED MARK IS ALLOWED ONLY
 FOR JIS FILED PRODUCTS.



1.6	6.4 ^{+0.2} 5.3 ^{+0.2} 11.6 ^{+0.2} 8.5 ^{+0.2}	29.5 ^{+0.5}	14	10 ^{+0.4}	5.8 ^{+0.3}	9.1	10	14	S6	50556-7812		
		41 ^{+0.5}	17.6						S5	50556-7712		
		29.5 ^{+0.5}	10.1						11	50556-7612		
		13 ^{+0.4}	17.5						12	50556-7512		
JIS	1.45 ^{MIN}	13 ^{+0.4}	42 ^{MAX}	9.5 ^{MIN}	5.8 ^{+0.2}	9	16	14	12	50556-7412		
		10.5 ^{+0.4}	14.5						10	50556-7312		
		8.4 ^{+0.4}	33 ^{MAX}						13	10	8	50556-7212
		6.4 ^{+0.4}	10						12	6	50556-7112	
△	t	Ød2	L	F	E	Ød1	ØD	B	呼称 NOMINAL SIZE	ENG. NO.		

RELEASED EC NO: J2007-0312 DRW: H.YAJIMA 2007/05/17 CHK: K.KASAHARA 2007/05/18 APPR: N.UKITA 2007/05/18	GENERAL TOLERANCES (UNLESS SPECIFIED)		DIMENSION STYLE MM ONLY		SCALE ---	DESIGN UNITS METRIC	THIRD ANGLE PROJECTION		
	10 UNDER	± ---	DRAWN BY H. YAJIMA	DATE '06/08/21	TITLE RING TERMINAL				
	10 OVER 30 UNDER	± ---	CHECKED BY K. KASAHARA	DATE '06/08/21	MATERIAL NO. SEE CHART				
	30 OVER	± ---	APPROVED BY N. UKITA	DATE '06/08/21	DOCUMENT NO. SD-50556-001				
0	ANGULAR	± --- °	DRAFT WHERE APPLICABLE MUST REMAIN WITHIN DIMENSIONS		SIZE A3		SHEET NO. 1 OF 1		