

**PLEASE CHECK WWW.MOLEX.COM FOR LATEST PART INFORMATION**

**Part Number:** [0877602617](#)  
**Status:** **Active**  
**Overview:** milligrid  
**Description:** 2.00mm (.079") Pitch Milli-Grid™ Header, Right Angle, Through Hole, 26 Circuits, 0.76µm (30µ") Gold (Au) Selective Plating, Tray, Lead-free

**Documents:**

[3D Model](#) [Product Specification PS-87761-100 \(PDF\)](#)  
[Drawing \(PDF\)](#) [RoHS Certificate of Compliance \(PDF\)](#)

**Agency Certification**

CSA LR19980  
 UL E29179

**General**

Product Family PCB Headers  
 Series [87760](#)  
 Application Board-to-Board, Wire-to-Board  
 Comments Lead-free version of 87049 series  
 Overview [milligrid](#)  
 Product Name Milli-Grid™

**Physical**

Breakaway No  
 Circuits (Loaded) 26  
 Circuits (maximum) 26  
 Color - Resin Black  
 First Mate / Last Break No  
 Flammability 94V-0  
 Glow-Wire Compliant No  
 Guide to Mating Part No  
 Keying to Mating Part None  
 Lock to Mating Part None  
 Mated Height (in) 0.157 In  
 Mated Height (mm) 4.00 mm  
 Material - Metal Phosphor Bronze  
 Material - Plating Mating Gold  
 Material - Plating Termination Tin  
 Material - Resin High Temperature Thermoplastic  
 Number of Rows 2  
 Orientation Right Angle  
 PC Tail Length (in) 0.102 In  
 PC Tail Length (mm) 2.60 mm  
 PCB Locator No  
 PCB Retention None  
 PCB Thickness Recommended (in) 0.062 In  
 PCB Thickness Recommended (mm) 1.60 mm  
 Packaging Type Tray  
 Pitch - Mating Interface (in) 0.079 In  
 Pitch - Mating Interface (mm) 2.00 mm  
 Pitch - Term. Interface (in) 0.079 In  
 Pitch - Term. Interface (mm) 2.00 mm  
 Polarized to Mating Part No  
 Polarized to PCB No  
 Shrouded No  
 Stackable Yes



**EU RoHS**

**ELV and RoHS Compliant**  
**REACH SVHC**  
 Not Reviewed  
**Halogen-Free Status**  
**Not Reviewed**

**China RoHS**



**Need more information on product environmental compliance?**

Email [productcompliance@molex.com](mailto:productcompliance@molex.com)  
 For a multiple part number RoHS Certificate of Compliance, [click here](#)

Please visit the [Contact Us](#) section for any non-product compliance questions.

**Search Parts in this Series**

[87760Series](#)

**Mates With**

[79107](#) Milli-Grid™ Receptacle, Vertical, Through Hole. [79108](#) Milli-Grid™ Flex-to-Board, Vertical Receptacle. Milli-Grid™ Receptacle, Surface Mount. [79109](#). [87381](#)

Surface Mount Compatible (SMC)	Yes
Temperature Range - Operating	-55°C to +105°C
Termination Interface: Style	Through Hole

**Electrical**

Current - Maximum per Contact	2A
Voltage - Maximum	125V

**Solder Process Data**

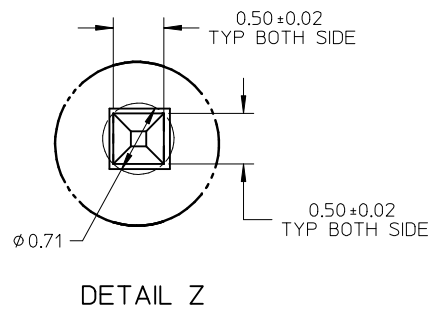
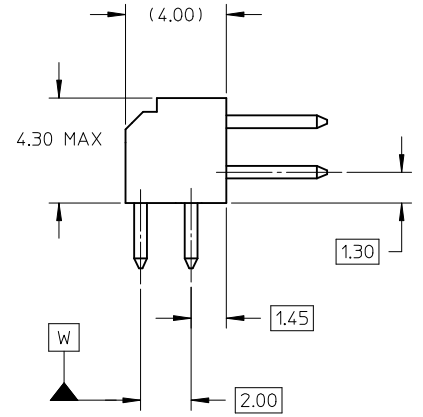
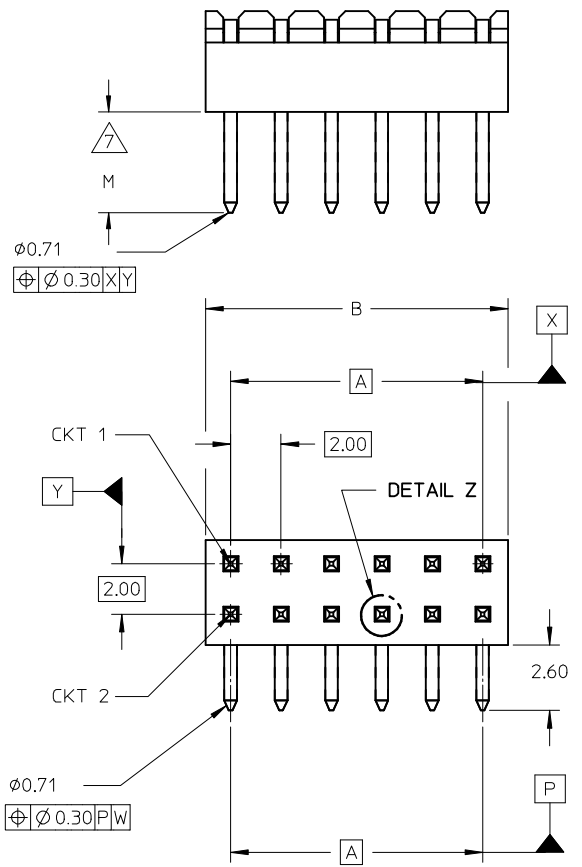
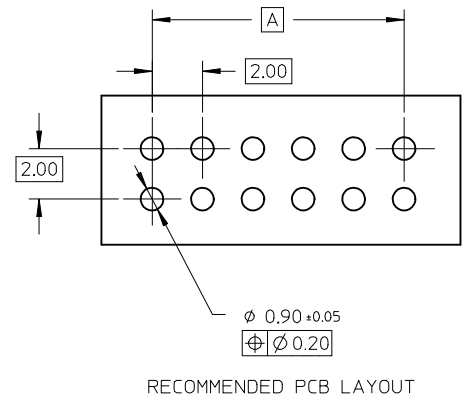
Lead-free Process Capability	Wave Capable (TH only)
------------------------------	------------------------

**Material Info****Reference - Drawing Numbers**

Product Specification	PS-87761-100
Sales Drawing	SD-87760-109

This document was generated on 05/26/2010

**PLEASE CHECK [WWW.MOLEX.COM](http://WWW.MOLEX.COM) FOR LATEST PART INFORMATION**



NOTES:

1. MATERIAL:

HSG: PCT, 30% GLASS FILLED, UL 94V-0, COLOUR BLACK.

PIN: 0.50MM SQ PHOSPHOR BRONZE 510

△ Z PLATING:

\*\*\*6 - 0.38um MIN GOLD IN CONTACT AREA, 1.90um MIN TIN IN SOLDER TAIL AREA, BOTH OVER 1.27um MIN NICKEL OVERALL

\*\*\*7 - 0.76um MIN GOLD IN CONTACT AREA, 1.90um MIN TIN IN SOLDER TAIL AREA, BOTH OVER 1.27um MIN NICKEL OVERALL

\*\*\*8 - 2.54um MIN TIN OVER 1.27um MIN NICKEL OVERALL

3. 12 CKT USED FOR ILLUSTRATION ONLY

4. PART TO BE PACKED IN POCKET TRAY/TUBE (SEE TABLE).

5. PRODUCT SPEC PS-87761-100 APPLIES.

6. RECOMMENDED PCB BOARD THK 1.60±0.10 MM.

△ 7 MATING LENGTH: 1 - 4.00MM  
2 - 3.50MM  
3 - 3.06MM  
4 - 5.75MM

LEGEND:

87760 - \* \* \* \*

(SEE SHT 3) ——— PLATING OPTION △ Z (SEE NOTE 2)

————— MATING OPTION △ 7

0047-DW-SIRIUS EC NO: S2010-0177 DRWN:SKANG 2009/10/21 CHKD:ATSEE 2009/10/22 APPR:MLONG 2009/10/23	QUALITY SYMBOLS	GENERAL TOLERANCES (UNLESS SPECIFIED)	DIMENSION STYLE		SCALE	DESIGN UNITS	THIRD ANGLE PROJECTION		
	▽=0 ∠=0	mm INCH	MM ONLY		NTS	METRIC			
		4 PLACES ± --- ± ---	DRAWN BY	DATE	TITLE				
		3 PLACES ± --- ± ---	KSEE	2003/10/15	MGRID, 2MM DUAL ROW HDR. R/A				
	2 PLACES ± 0.2 ± ---	CHECKED BY	DATE						
	1 PLACE ± --- ± ---	KCLING	2003/12/02						
		APPROVED BY	DATE						
		SKTOH	2003/12/11	MOLEX INCORPORATED					
		MATERIAL NO.		DOCUMENT NO.			SHEET NO.		
				SD-87760-109			1 OF 2		
				SEE TABLE					
				THIS DRAWING CONTAINS INFORMATION THAT IS PROPRIETARY TO MOLEX INCORPORATED AND SHOULD NOT BE USED WITHOUT WRITTEN PERMISSION					

	10	9	8	7	6	5	4	3	2	1
	PART NUMBER	VOID PIN LOCATION	CKT SIZE	A	B	M	PACKAGING TYPE			
F	87760-04**	-	04	2.00	4.00	REFER TO NOTE 7.	TRAY			
	87760-06**	-	06	4.00	6.00					
	87760-08**	-	08	6.00	8.00					
	87760-10**	-	10	8.00	10.00					
	87760-12**	-	12	10.00	12.00					
	87760-14**	-	14	12.00	14.00					
	87760-16**	-	16	14.00	16.00					
E	87760-18**	-	18	16.00	18.00					
	87760-20**	-	20	18.00	20.00					
	87760-22**	-	22	20.00	22.00					
	87760-24**	-	24	22.00	24.00					
	87760-26**	-	26	24.00	26.00					
	87760-28**	-	28	26.00	28.00					
D	87760-30**	-	30	28.00	30.00					
	87760-32**	-	32	30.00	32.00					
	87760-34**	-	34	32.00	34.00					
	87760-36**	-	36	34.00	36.00					
	87760-38**	-	38	36.00	38.00					
	87760-40**	-	40	38.00	40.00					
C	87760-42**	-	42	40.00	42.00					
	87760-44**	-	44	42.00	44.00					
	87760-46**	-	46	44.00	46.00					
	87760-48**	-	48	46.00	48.00					
	87760-50**	-	50	48.00	50.00					
	87760-5116	5, 6 & 26	50	48.00	50.00					
B	87760-5248	-	28	26.00	28.00	TUBE				



PART IN TUBE

0047-DW-SIRIUS EC NO: S2010-0177 DRWN:SKANG 2009/10/21 CHKD:ATSEE 2009/10/22 APPR:MLONG 2009/10/23	DESCRIPTION REV	QUALITY SYMBOLS ▽=0 ◻=0	GENERAL TOLERANCES (UNLESS SPECIFIED)		DIMENSION STYLE <b>MM ONLY</b>		SCALE NTS	DESIGN UNITS METRIC	THIRD ANGLE PROJECTION		
			4 PLACES ± --- ± --- 3 PLACES ± --- ± --- 2 PLACES ± 0.2 ± --- 1 PLACE ± --- ± ---	mm    INCH	DRAWN BY KSEE	DATE 2003/10/15	TITLE MGRID, 2MM DUAL ROW HDR. R/A				
			ANGULAR ± 3 °		CHECKED BY KCLING	DATE 2003/12/02	MOLEX INCORPORATED				
			DRAFT WHERE APPLICABLE MUST REMAIN WITHIN DIMENSIONS		APPROVED BY SKTOH	DATE 2003/12/11	MATERIAL NO. SEE TABLE	DOCUMENT NO. SD-87760-109	SHEET NO. 2 OF 2		