

# NW25H2000X

# Pressure sensor

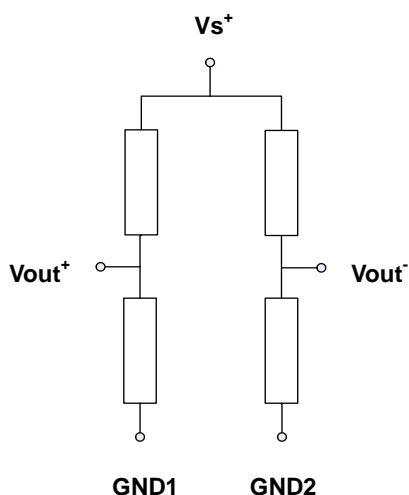
## FEATURES

- Sensor size: 2.5 x 2.5 mm<sup>2</sup>
- Temperature Range: -40°C~250°C
- Range: 0~2000 kpa

## APPLICATION

- Industrial control
- For absolute pressure sensor system
- For differential pressure sensor system

## ELECTRICAL CONNECTIONS



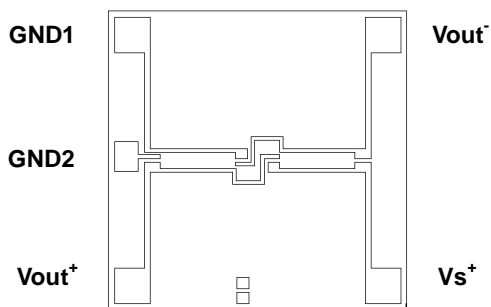
$Vs^+$ : Supply voltage of Wheatstone bridge

$Vout^+$ : Positive output

$Vout^-$ : Negative output

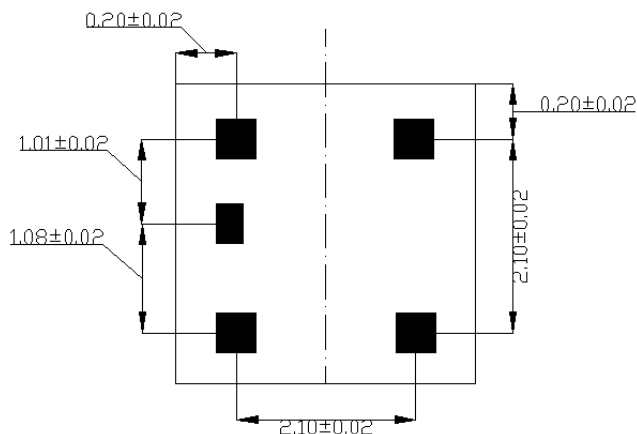
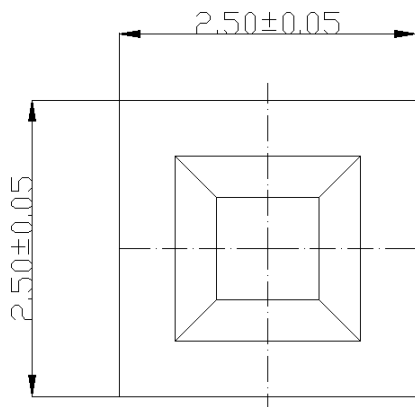
GND1 and GND2: Ground

## PAD OUT



As the sensing elements are diffused resistances, the voltage applied on the ground pads (GND1 and GND2) has to be lower than the voltage applied on supply voltage pad ( $Vs^+$ ).  
(Positive pressure)

## LAYOUT (Unit: mm)



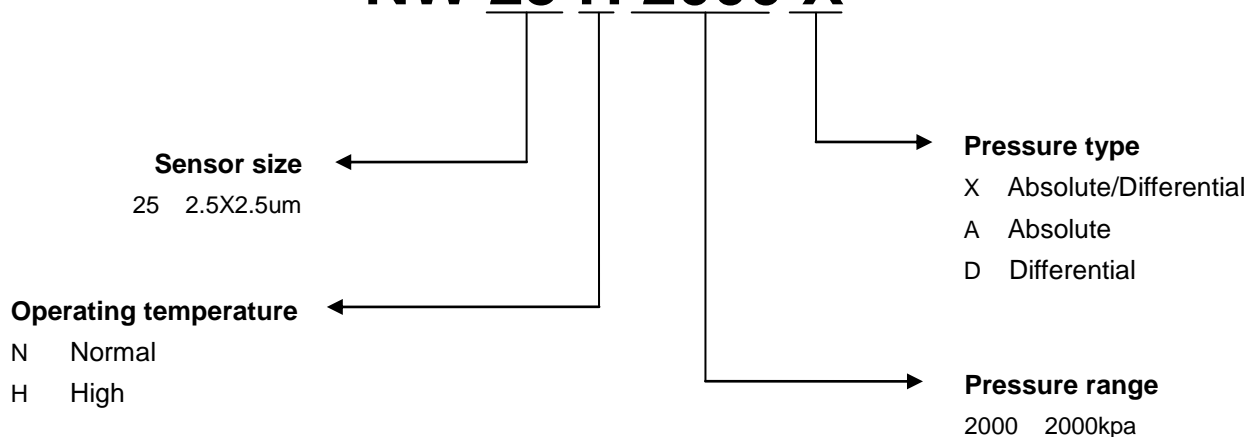
## SPECIFICATIONS

(Reference conditions: Supply Voltage VS+=5Vdc; Ambient Temperature Ta=30°C)

| Parameter                   | Min        | Typ   | Max   | Unit  |        |
|-----------------------------|------------|-------|-------|-------|--------|
| Operating Pressure Range    | 0          | -     | 2000  | kpa   |        |
| Operating Temperature Range | -40        | -     | 250   | °C    |        |
| Bridge Resistance           | 4.5        | 5     | 5.5   | kΩ    |        |
| Full-scale span(FS)         | 40         | 50    | 60    | mV    |        |
| Zero Pressure Offset        | -20        | 0     | +20   | mV    |        |
| Linearity                   | 0.1        | 0.2   | 0.3   | %FS   |        |
| Temperature Coefficient     | Resistance | 500   | 700   | 1000  | ppm/°C |
|                             | Span       | -1000 | -1500 | -2000 | ppm/°C |
|                             | Offset     | -60   | -     | 60    | μV/°C  |
| Pressure Hysteresis         | -          | -     | 0.2   | %FS   |        |
| Repeatability               | -          | -     | 0.2   | %FS   |        |
| Temperature Hysteresis      | -          | -     | 0.2   | %FS   |        |
| Supply voltage              | -          | 5     | 10    | V     |        |
| Storage temperature         | -40        | -     | 250   | °C    |        |
| Pressure overload           |            |       | 3X    |       |        |

## ORDERING INFORMATION

# NW 25 H 2000 X



## FACTORY CONTACTS

Nano MEMS Inc.  
No. 5 Minshan Rd,  
Wuxi City, Jiangsu Province

Tel.: +86-510-85225558  
Fax: +86-510-85223711  
e-mail: [sales@n-mems.com](mailto:sales@n-mems.com)  
Website: [www.n-mems.com](http://www.n-mems.com)