

Surface Mount Schottky Barrier Rectifier

Features

- Low Profile in SMC Package
- Low power loss, high efficiency
- Low Forward Voltage Drop
- Plastic package has Underwriters Laboratory Flammability Classification 94V-0
- RoHS Compliant



SMC



Mechanical Data

Case:	JEDEC DO-214AB(SMC) molded plastic
Terminals:	Solder plated, solderable per MIL-STD-750, Method 2026
Polarity	Color band denotes the cathode end
Weight	0.007 Ounce, 0. 21 gram

Maximum Ratings & Electrical Characteristics ($T_{Ambient}=25^{\circ}C$ unless noted otherwise)

Symbols	Description	SS32	SS33	SS34	SS35	SS36	SS38	SS39	SS310	Unit
VRMS	Maximum RMS voltage	14	21	28	35	42	56	63	70	V
VRRM	Maximum repetitive peak reverse voltage	20	30	40	50	60	80	90	100	V
VDC	Maximum DC blocking voltage	20	30	40	50	60	80	90	100	V
I(AV)	Maximum average forward rectified current (FIG.1)	3.0								A
IFSM	Peak forward surge current (JEDEC Method)	80.0								A
VF	Maximum instantaneous forward voltage at 3.0A	0.50		0.70		0.85			V	
IR	Maximum DC reverse current at rated DC blocking voltage	TA =25°C						2.0		mA
		TA =100°C						20.0		
RθJA	Maximum thermal resistance, Junction to Ambient	17								° C/W
CJ	Typical Junction Capacitance (NOTE)	300								pf
TJ	Operating junction temperature range	-50 to +125			-50 to +150					° C
TSTG	Storage Temperature Range	-65 to +150								° C

NOTES: Measured at 1MHz and applier reverse voltage of 4.0VDC.

Surface Mount Schottky Barrier Rectifier

Typical Characteristics Curves

Fig.1- Forward Current Derating Curve

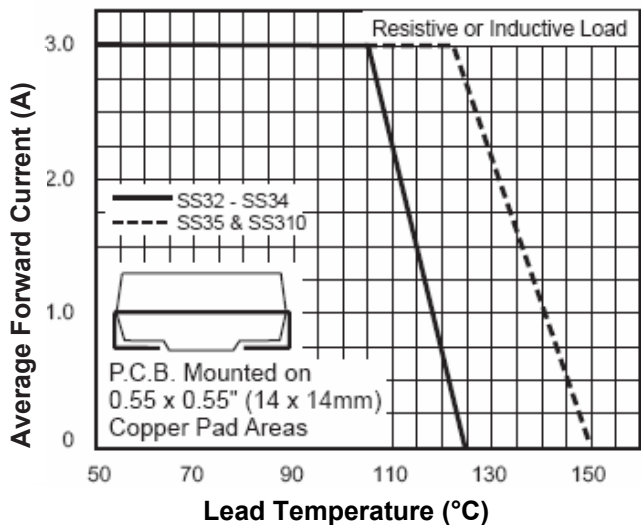


Fig.2- Non-repetitive Peak Forward Surge Current

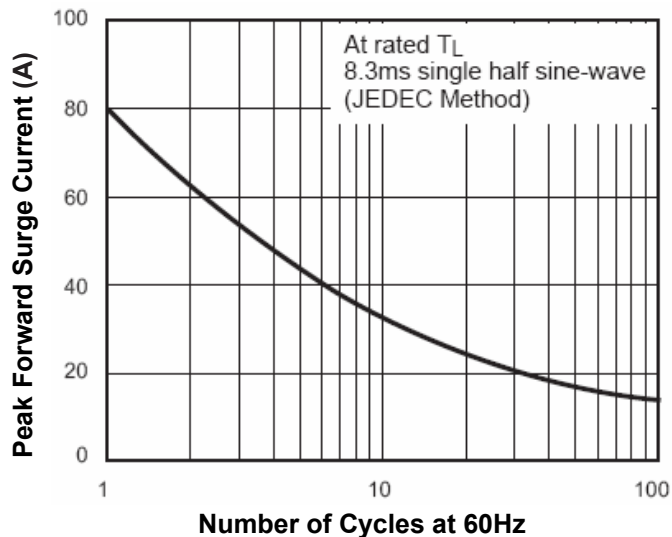


Fig.3- Typical Instantaneous Forward Characteristics

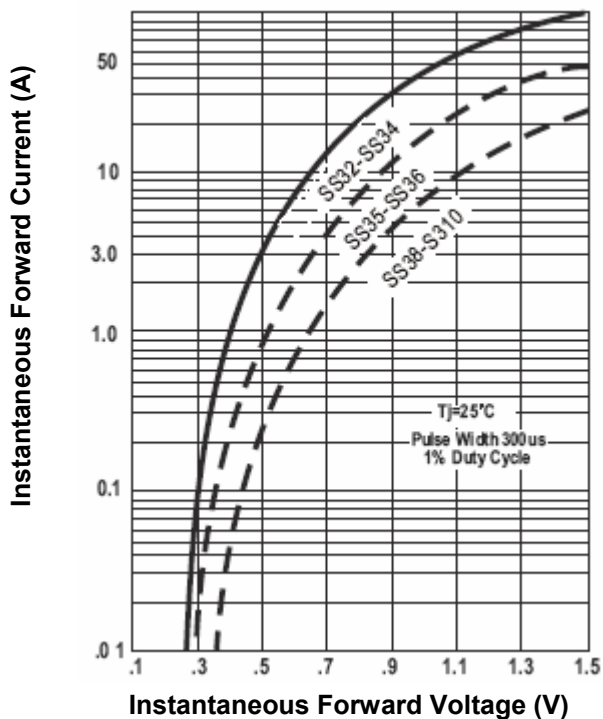
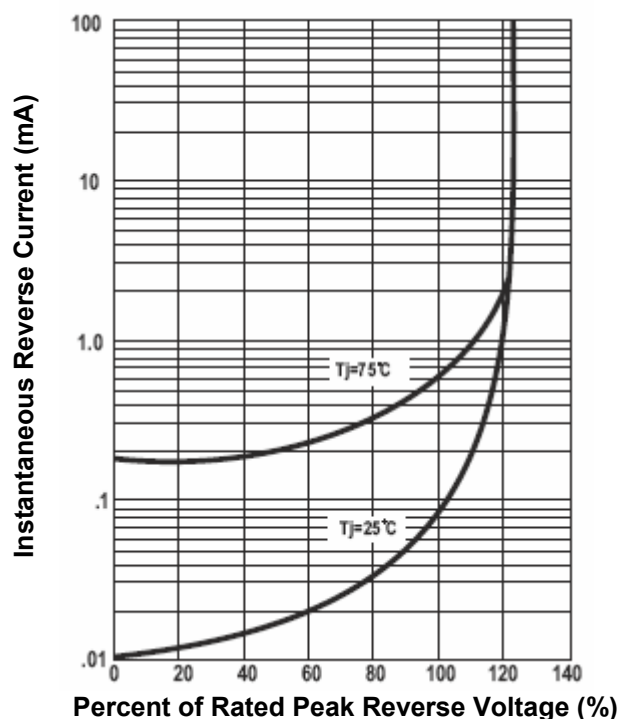
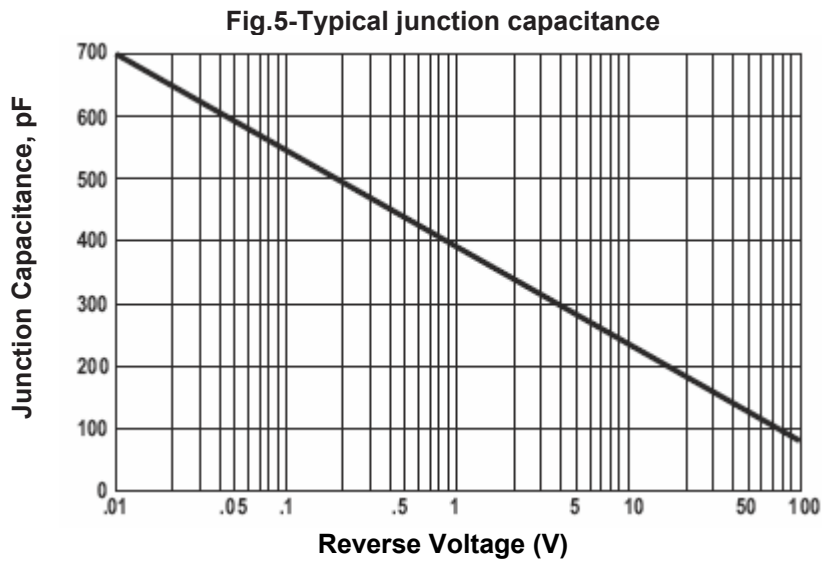


Fig.4- Typical Reverse Current Characteristics

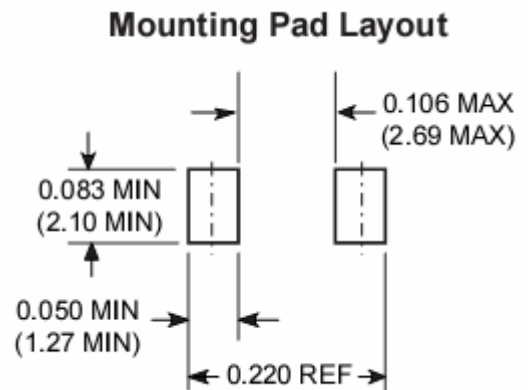
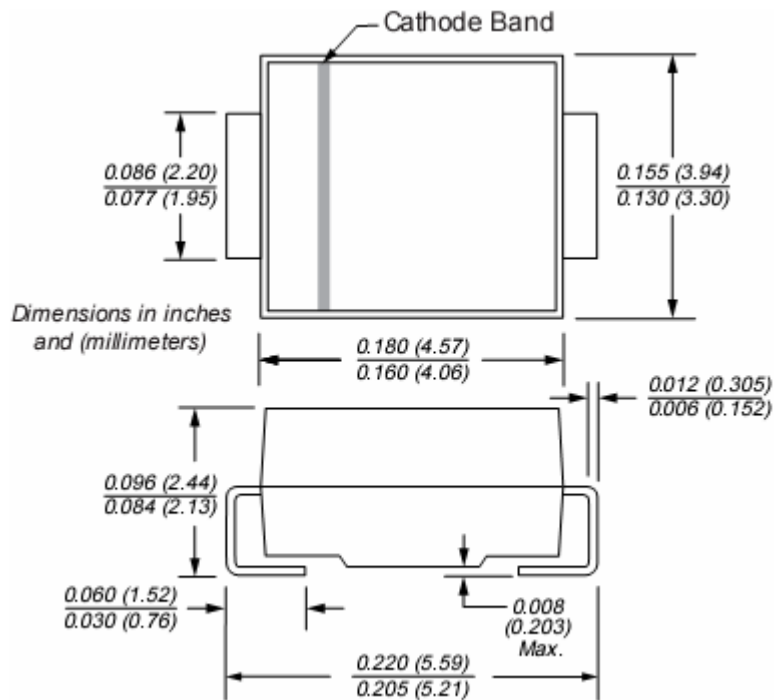


Surface Mount Schottky Barrier Rectifier

SS32 - SS310



Dimensions in inches (mm)



Surface Mount Schottky Barrier Rectifier

www.DataSheet4U.com

SS32 - SS310

How to contact us

US HEADQUARTERS

28040 WEST HARRISON PARKWAY, VALENCIA, CA 91355-4162

Tel: (800) TAITRON (800) 247-2232 (661) 257-6060

Fax: (800) TAITFAX (800) 824-8329 (661) 257-6415

Email: taitron@taitroncomponents.com

Http://www.taitroncomponents.com

TAITRON COMPONENTS MEXICO, S.A .DE C.V.

BOULEVARD CENTRAL 5000 INTERIOR 5 PARQUE INDUSTRIAL ATITALAQUIA, HIDALGO C.P.
42970 MEXICO

Tel: +52-55-5560-1519

Fax: +52-55-5560-2190

TAITRON COMPONENTS INCORPORATED REPRESENTAÇÕES DO BRASIL LTDA

RUA DOMINGOS DE MORAIS, 2777, 2.ANDAR, SALA 24 SAÚDE - SÃO PAULO-SP 04035-001 BRAZIL

Tel: +55-11-5574-7949

Fax: +55-11-5572-0052

TAITRON COMPONENTS INCORPORATED, SHANGHAI REPRESENTATIVE OFFICE

CROSS REGION PLAZA, 899 LINLING ROAD, SUITE 18C, SHANGHAI, 200030, CHINA

Tel: +86-21-5424-9942

Fax: +86-21-5424-9931