

Surface Mount Noise Sources

NC502SM-15

200 kHz to 1 GHz



Specifications

RF Frequency	200 kHz to 1 GHz
Noise Output	31 dB Min ENR
Noise Spectral Density (N_o)	-143 dBm/Hz Min
Flatness	2 dB P-P Max
Peak Factor	5:1
Bias Voltage	15 V
Supply Current	10 mA Max
Impedance	50 ohms

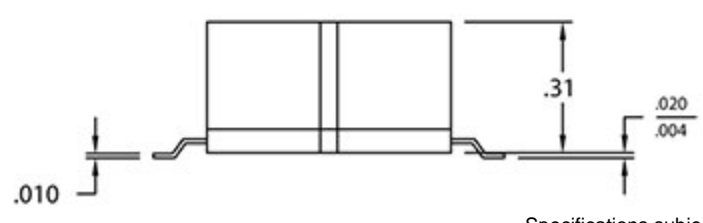
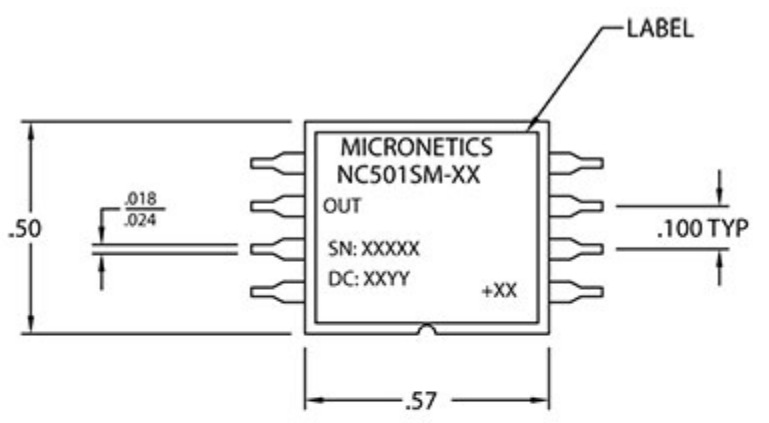
Package and Connectivity

Construction	Axial Lead
--------------	------------

Environmental

Operating Temperature	0 to 70 °C
Storage Temperature	-65 to 125 °C

Notes



Specifications subject to change without notice

Micronetics, Inc. | Hudson, NH | Tel: 1-603-883-2900 | www.Micronetics.com



