

SWITCHING REGURATOR APPLICATIONS

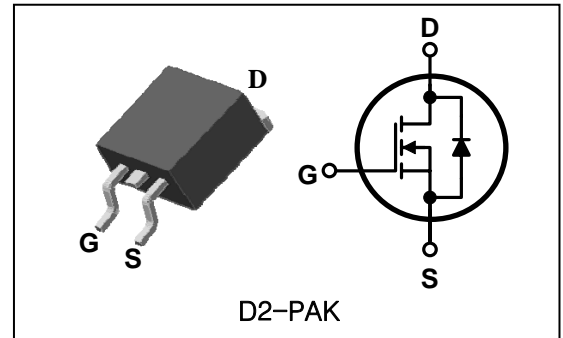
Features

- High Voltage : $BV_{DSS}=300V(\text{Min.})$
- Low C_{RSS} : $C_{RSS}=19pF(\text{Typ.})$
- Low gate charge : $Qg=24nC(\text{Typ.})$
- Low $R_{DS(on)}$: $R_{DS(on)}=0.29\Omega(\text{Max.})$

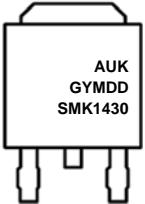
Ordering Information

Type No.	Marking	Package Code
SMK1430DI	SMK1430	D2-PAK

PIN Connection



Marking Diagram

	Column 1 : Manufacturer
	Column 2 : Production Information e.g.) GYMDD
	- . G : Factory management code - . YMDD : Date Code (year, month, date)
	Column 3 : Device Code

Absolute maximum ratings ($T_C=25^\circ\text{C}$ unless otherwise noted)

Characteristic	Symbol	Rating	Unit	
Drain-source voltage	V_{DSS}	300	V	
Gate-source voltage	V_{GSS}	± 30	V	
Drain current (DC) *	I_D	$T_C=25^\circ\text{C}$	14	A
		$T_C=100^\circ\text{C}$	8.4	A
Drain current (Pulsed) *	I_{DM}	90	A	
Power dissipation	P_D	140	W	
Avalanche current (Single) ②	I_{AS}	14	A	
Single pulsed avalanche energy ②	E_{AS}	800	mJ	
Avalanche current (Repetitive) ①	I_{AR}	14	A	
Repetitive avalanche energy ①	E_{AR}	25	mJ	
Junction temperature	T_J	150	$^\circ\text{C}$	
Storage temperature range	T_{stg}	-55~150		

* Limited by maximum junction temperature

Characteristic	Symbol	Typ.	Max.	Unit
Thermal resistance	Junction-case	-	0.89	$^\circ\text{C}/\text{W}$
	Junction-ambient	-	62.5	

Electrical Characteristics (T_C=25°C unless otherwise noted)

Characteristic	Symbol	Test Condition	Min.	Typ.	Max.	Unit	
Drain-source breakdown voltage	BV _{DSS}	I _D =250μA, V _{GS} =0V	300	-	-	V	
Gate threshold voltage	V _{GS(th)}	I _D =250μA, V _{DS} =V _{GS}	3.0	-	5.0	V	
Drain-source cut-off current	I _{DSS}	V _{DS} =300V, V _{GS} =0V	-	-	1	μA	
		V _{DS} =300V, T _C =125°C	-	-	200		
Gate leakage current	I _{GSS}	V _{DS} =0V, V _{GS} =±30V	-	-	±100	nA	
Drain-source on-resistance ④	R _{DS(on)}	V _{GS} =10V, I _D =7A	-	0.24	0.29	Ω	
Forward transfer conductance ④	g _{fs}	V _{DS} =5V, I _D =7A	-	7.8	-	S	
Input capacitance	C _{iss}	V _{GS} =0V, V _{DS} =25V f=1 MHz	-	1075	1344	pF	
Output capacitance	C _{oss}		-	182	228		
Reverse transfer capacitance	C _{rss}		-	19	23.8		
Turn-on delay time	t _{d(on)}	V _{DD} =150V, I _D =14A R _G =25Ω	-	22	-	ns	
Rise time	t _r		-	145	-		
Turn-off delay time	t _{d(off)}		③④	-	45		-
Fall time	t _f		③④	-	70		-
Total gate charge	Q _g	V _{DS} =240V, V _{GS} =10V I _D =14A	-	24	30	nC	
Gate-source charge	Q _{gs}		③④	-	8.5		-
Gate-drain charge	Q _{gd}		③④	-	9.5		-

Source-Drain Diode Ratings and Characteristics (T_C=25°C unless otherwise noted)

Characteristic	Symbol	Test Condition	Min.	Typ.	Max.	Unit
Source current (DC)	I _S	Integral reverse diode in the MOSFET	-	-	14	A
Source current (Pulsed) ①	I _{SM}		-	-	56	
Forward voltage ④	V _{SD}	V _{GS} =0V, I _S =14A	-	-	1.4	V
Reverse recovery time	t _{rr}	I _S =14A, V _{GS} =0V dI _F /dt=100A/μs	-	235	-	ns
Reverse recovery charge	Q _{rr}		-	1.6	-	μC

Note ;

- ① Repetitive rating : Pulse width limited by maximum junction temperature
- ② L=6.8mH, I_{AS}=14A, V_{DD}=50V, R_G=25Ω, Starting T_J=25°C
- ③ Pulse Test : Pulse width≤300μs, Duty cycle≤2%
- ④ Essentially independent of operating temperature

Electrical Characteristic Curves

Fig. 1 $I_D - V_{DS}$

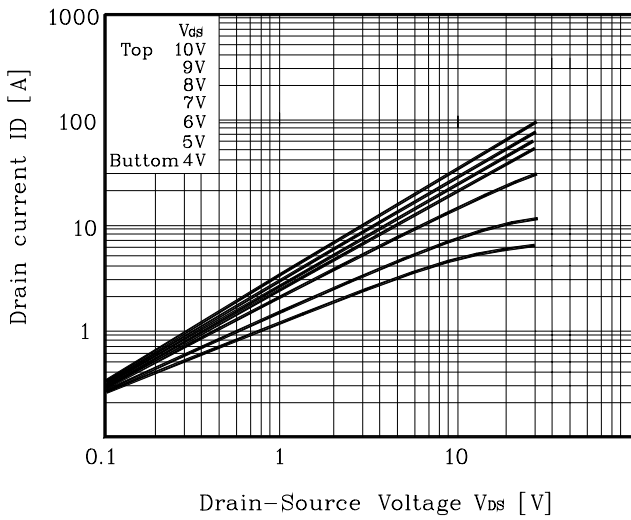


Fig. 2 $I_D - V_{GS}$

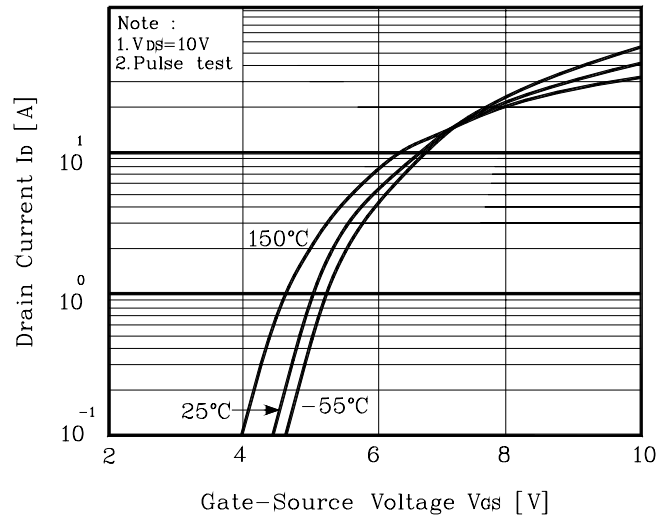


Fig. 3 $R_{DS(on)} - I_D$

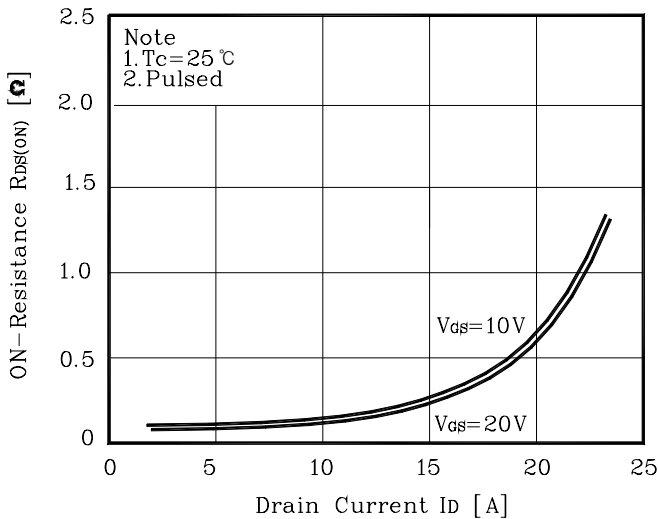


Fig. 4 $I_S - V_{SD}$

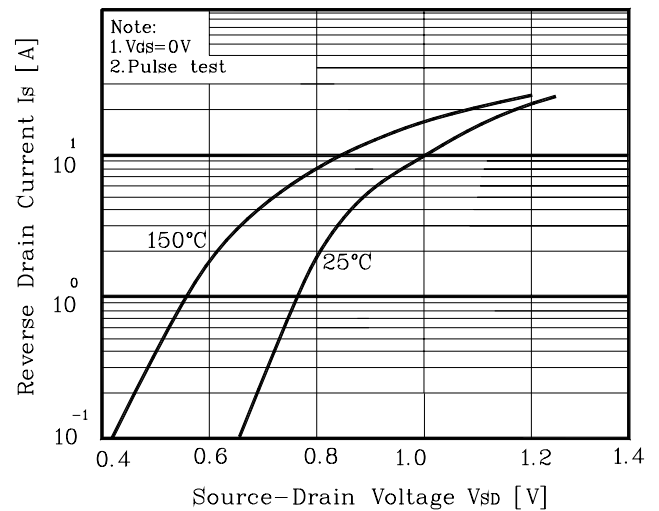


Fig. 5 Capacitance - V_{DS}

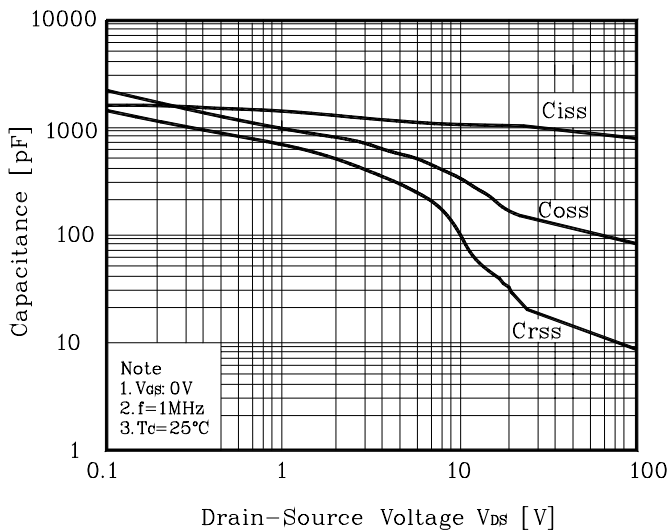


Fig. 6 $V_{GS} - Q_G$

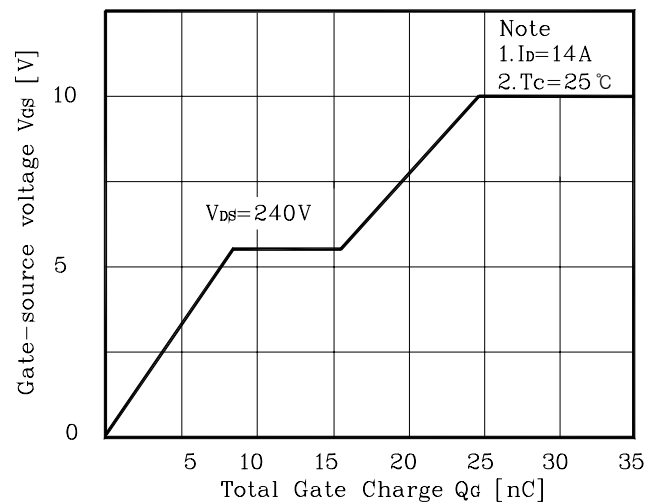


Fig. 7 $V_{DSS} - T_J$

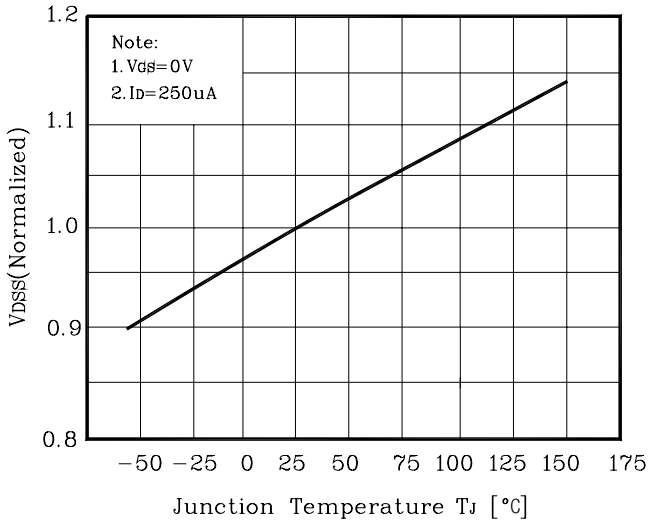


Fig. 8 $R_{DS(on)} - T_J$

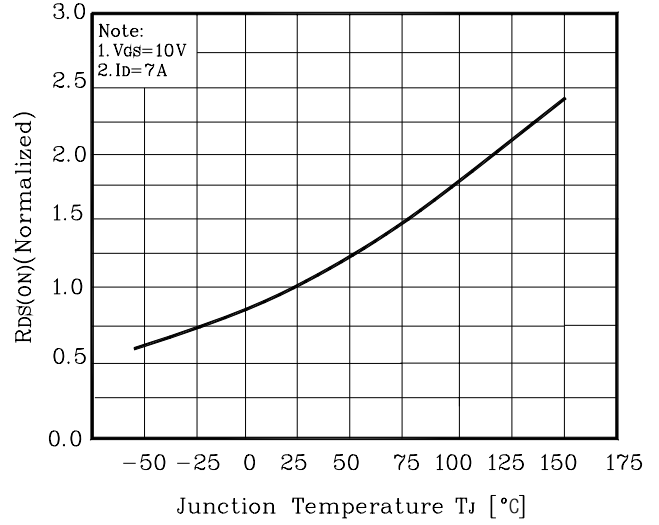


Fig. 9 $I_D - T_C$

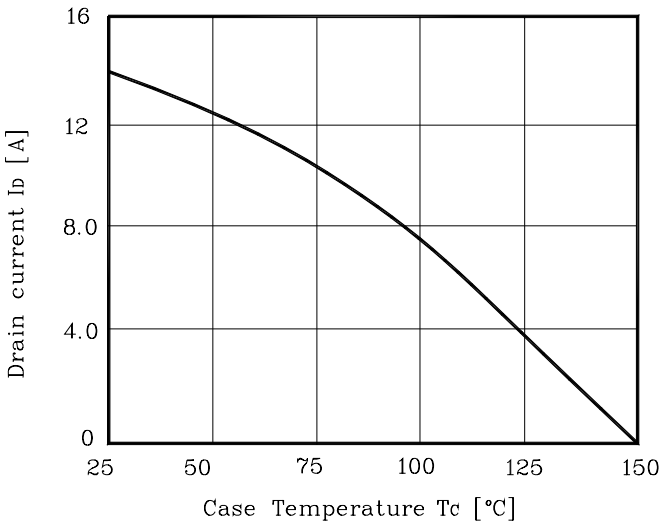


Fig. 10 Safe Operating Area

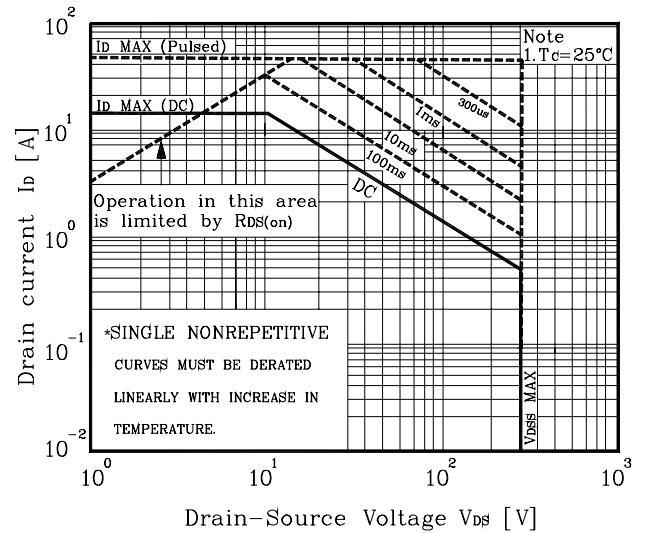


Fig. 11 Transient Thermal Impedance

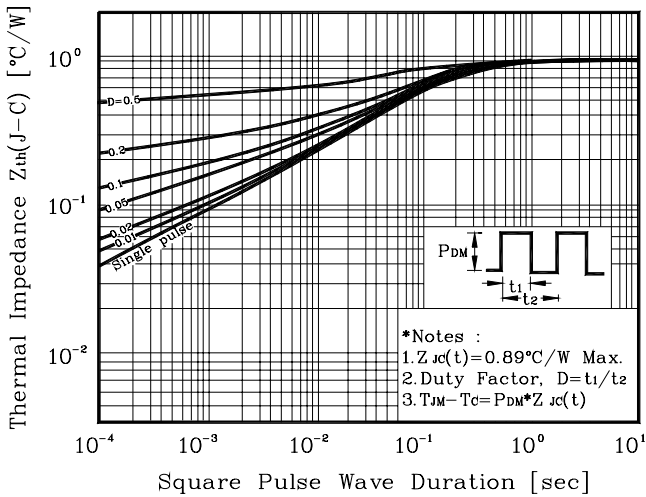


Fig. 11 Gate Charge Test Circuit & Waveform

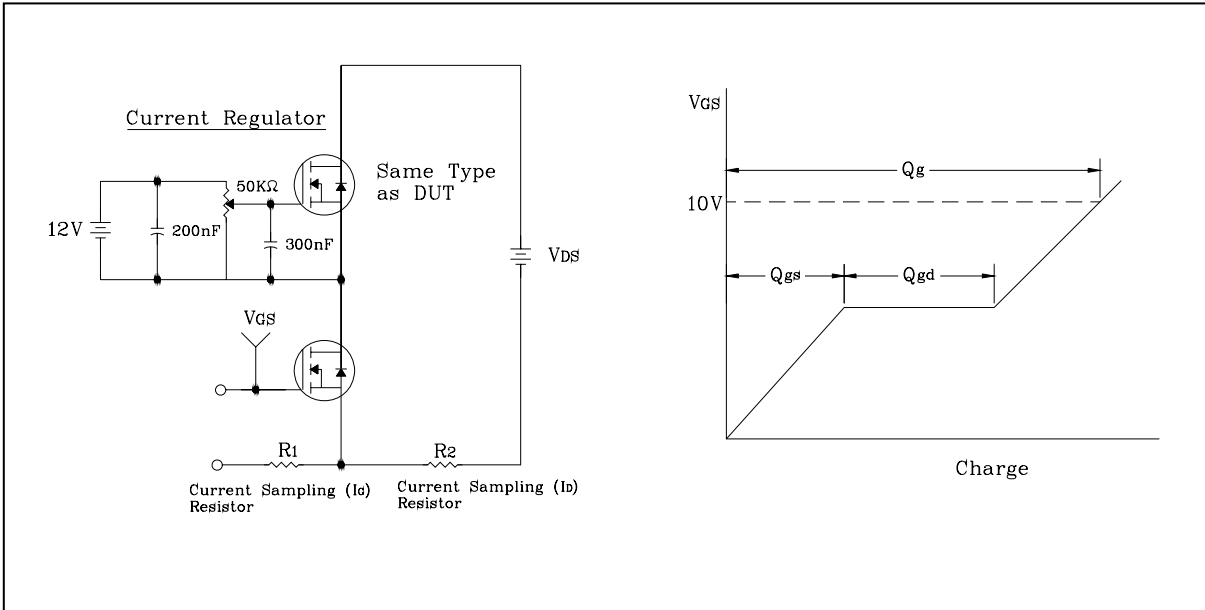


Fig. 12 Resistive Switching Test Circuit & Waveform

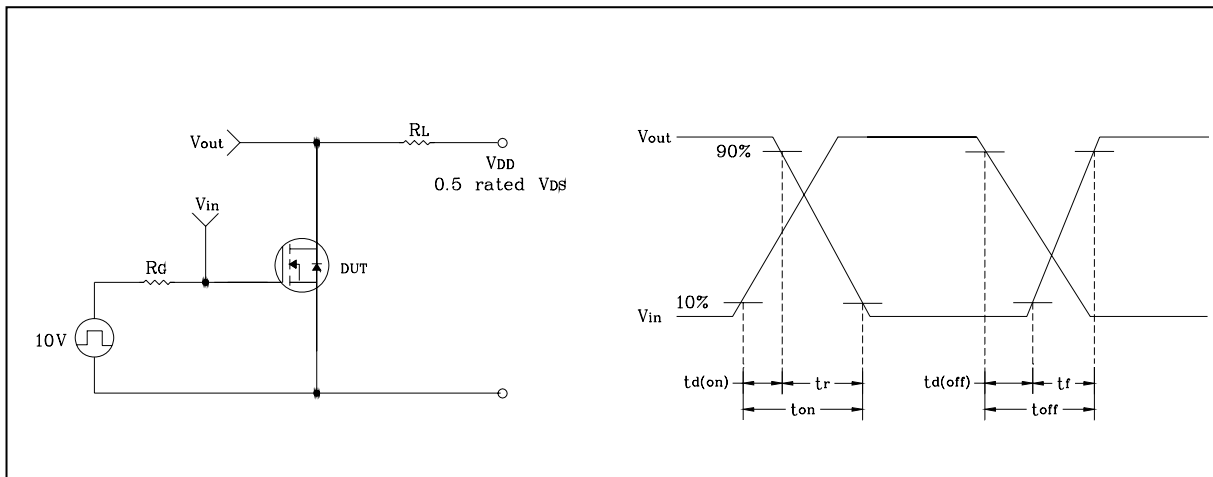


Fig. 13 E_{AS} Test Circuit & Waveform

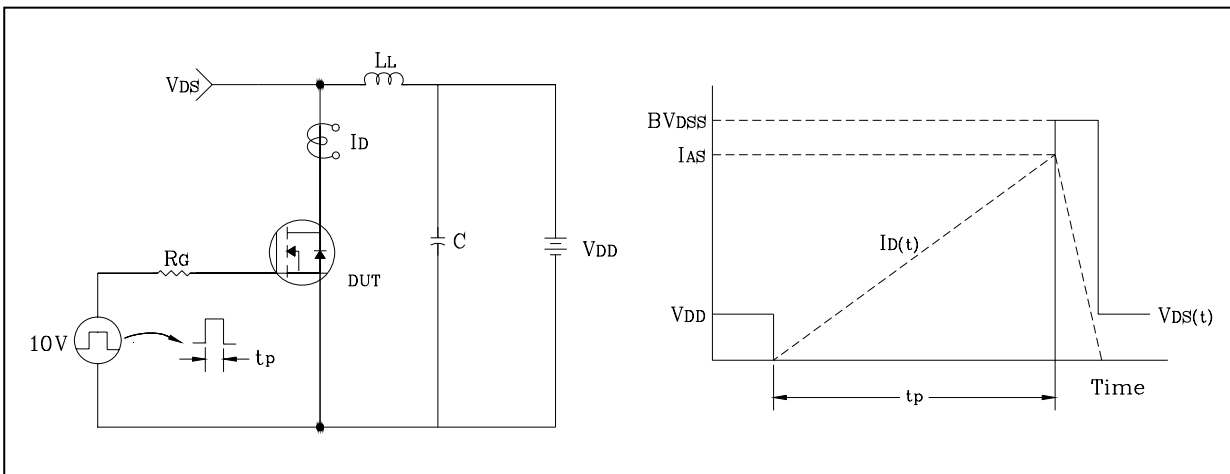
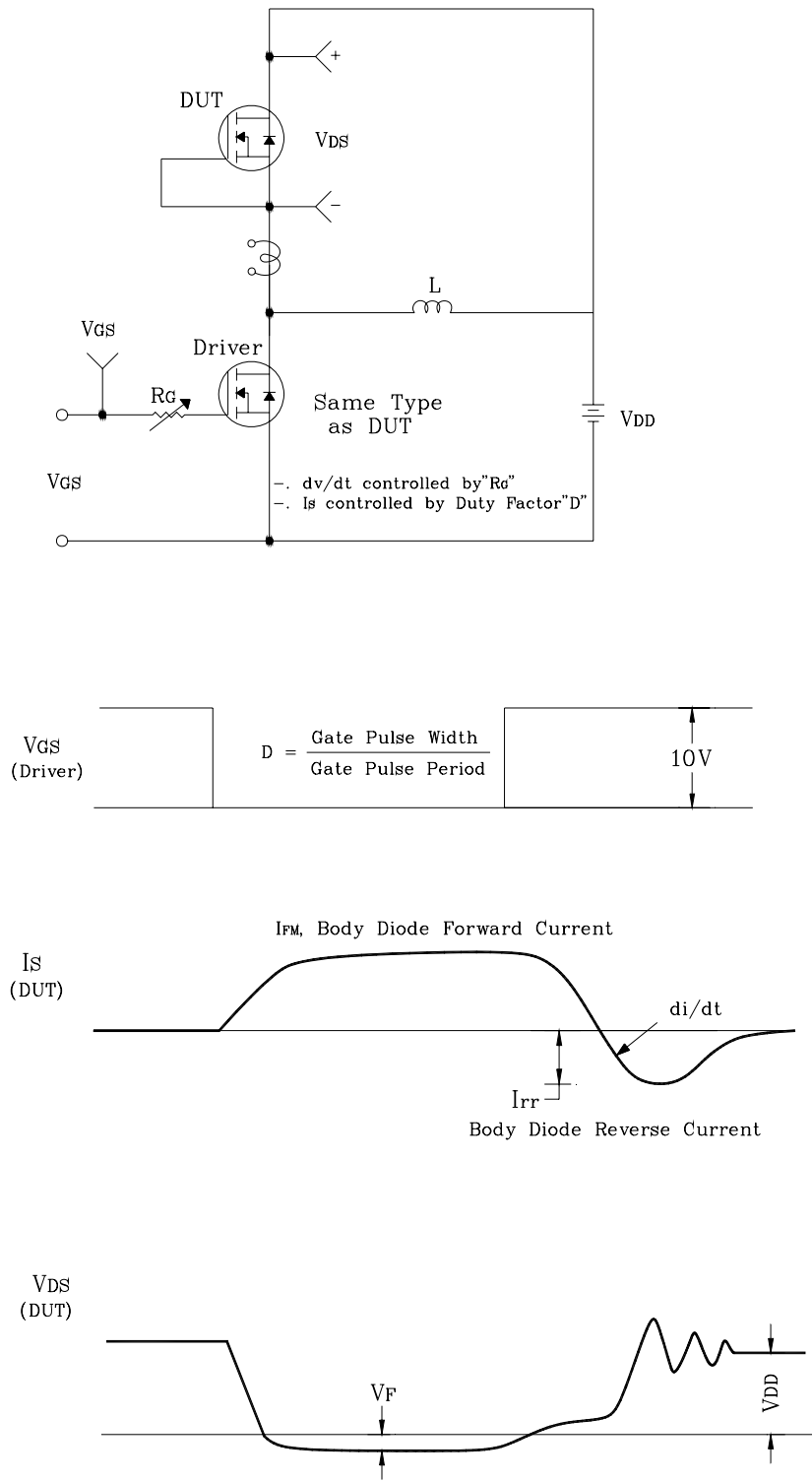
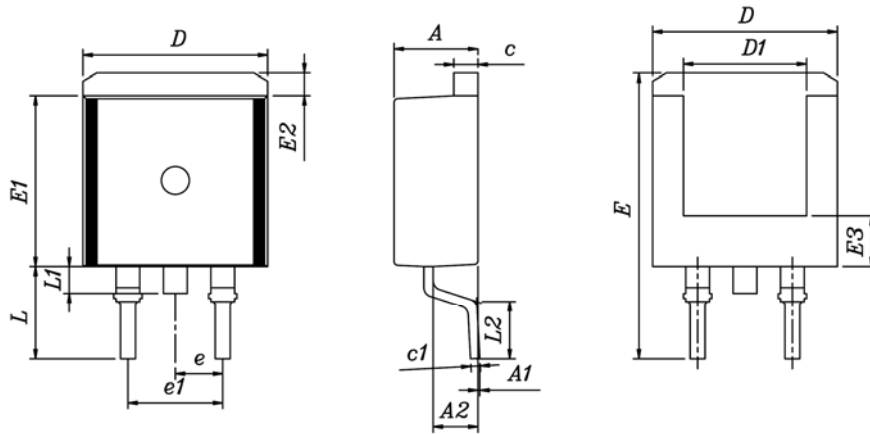


Fig. 14 Diode Reverse Recovery Time Test Circuit & Waveform



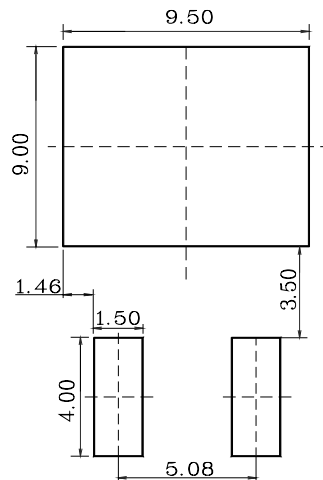
Outline Dimension

unit: mm



SYMBOL	MILLIMETERS			NOTE
	MINIMUM	NOMINAL	MAXIMUM	
A	4.35	4.50	4.65	
A1	—	—	0.15	
A2	2.20	2.40	2.60	
c	1.20	1.30	1.40	
c1	0.40	0.50	0.60	
D	9.80	10.00	10.20	
D1	6.40	6.60	6.80	
E	15.00	15.40	15.80	
E1	9.05	9.20	9.35	
E2	1.00	1.20	1.40	
E3	2.50	2.70	2.90	
e	2.34	2.54	2.74	
e1	4.88	5.08	5.28	
L	4.60	5.00	5.40	
L1	1.40	1.45	1.50	
L2	2.50	—	—	

※ Recommended Land Pattern [unit: mm]



The AUK Corp. products are intended for the use as components in general electronic equipment (Office and communication equipment, measuring equipment, home appliance, etc.).

Please make sure that you consult with us before you use these AUK Corp. products in equipments which require high quality and / or reliability, and in equipments which could have major impact to the welfare of human life(atomic energy control, airplane, spaceship, transportation, combustion control, all types of safety device, etc.). AUK Corp. cannot accept liability to any damage which may occur in case these AUK Corp. products were used in the mentioned equipments without prior consultation with AUK Corp..

Specifications mentioned in this publication are subject to change without notice.