

**PLEASE CHECK WWW.MOLEX.COM FOR LATEST PART INFORMATION**

**Part Number:** [0473911000](#)

**Status:** **Active**

**Overview:** [external serial ata](#)

**Description:** 1.27mm (.050") Pitch External Serial ATA Plug with Flanged Shell, BottomMount, Right Angle, Unmating Height 7.70mm (.303"), 0.38µm (15µ") Gold (Au) Plating, 7 Circuits, with Vacuum Pick-Up Tape, Lead Free

**Documents:**

[3D Model](#)

[Product Specification PS-47082-001 \(PDF\)](#)

[Drawing \(PDF\)](#)

[RoHS Certificate of Compliance \(PDF\)](#)

**General**

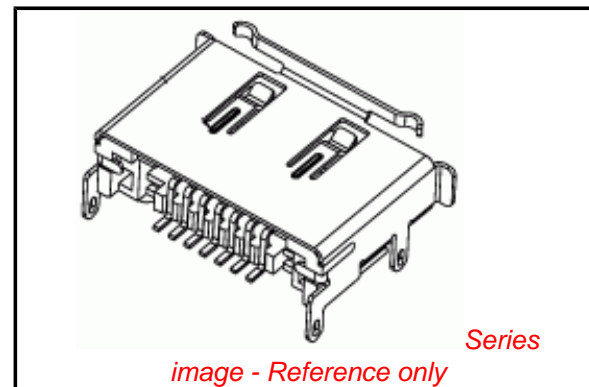
Product Family	I/O Connectors
Series	47391
Application	Wire-to-Board
Comments	With Flange
Component Type	Plug, Receptacle
Overview	<a href="#">external serial ata</a>
Product Name	External Serial ATA
Type	N/A

**Physical**

Boot Color	N/A
Circuits (Loaded)	7
Circuits (maximum)	7
Color - Resin	Black
Gender	Plug
Keying to Mating Part	Yes
Lock to Mating Part	Yes
Material - Plating Mating	Gold
Material - Plating Termination	Tin
Number of Rows	1
Orientation	Right Angle
PCB Locator	Yes
PCB Retention	Yes
PCB Thickness Recommended (in)	0.051 In
PCB Thickness Recommended (mm)	1.30 mm
Packaging Type	Embossed Tape on Reel
Panel Mount	Yes
Pitch - Mating Interface (in)	0.050 In
Pitch - Mating Interface (mm)	1.27 mm
Pitch - Term. Interface (in)	0.050 In
Pitch - Term. Interface (mm)	1.27 mm
Plating min: Mating (µin)	15
Plating min: Mating (µm)	0.38
Plating min: Termination (µin)	50
Plating min: Termination (µm)	1.27
Polarized to Mating Part	Yes
Polarized to PCB	Yes
Ports	1
Temperature Range - Operating	-35°C to +85°C
Termination Interface: Style	Surface Mount
Waterproof / Dustproof	No

**Electrical**

Current - Maximum per Contact	1.5A
-------------------------------	------



**EU RoHS**

**ELV and RoHS Compliant**

**REACH SVHC**

Not Reviewed

**Halogen-Free**

**Status**

**Not Halogen-Free**

**China RoHS**



**Need more information on product environmental compliance?**

Email [productcompliance@molex.com](mailto:productcompliance@molex.com)  
For a multiple part number RoHS Certificate of Compliance, [click here](#)

Please visit the [Contact Us](#) section for any non-product compliance questions.

**Search Parts in this Series**

47391Series

**Mates With**

68782 External Serial ATA Receptacle Cable

Grounding to Panel  
Shield Type  
Shielded  
Voltage - Maximum

Yes  
Upper Shielding  
Yes  
15V DC

**Material Info**

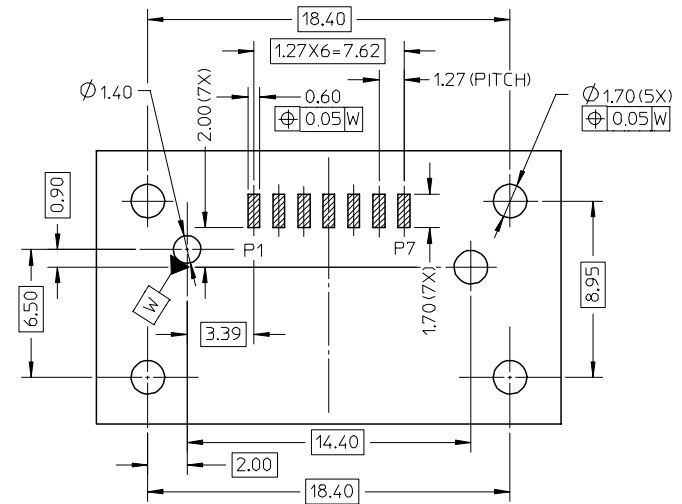
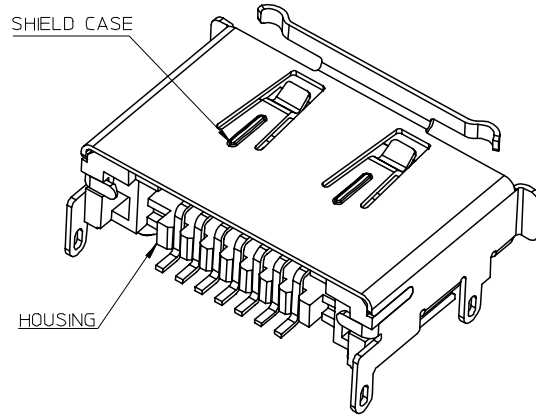
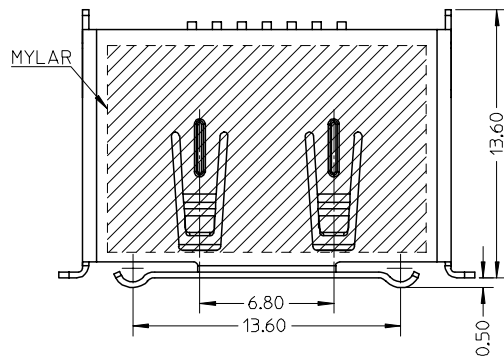
**Reference - Drawing Numbers**

Packaging Specification  
Product Specification  
Sales Drawing

PK-47082-001, PK-47379-001  
PS-47082-001  
SD-47391-100

This document was generated on 05/19/2010

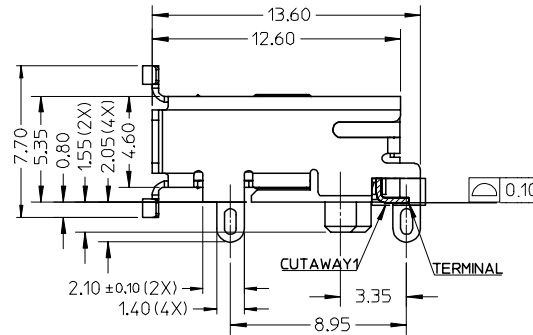
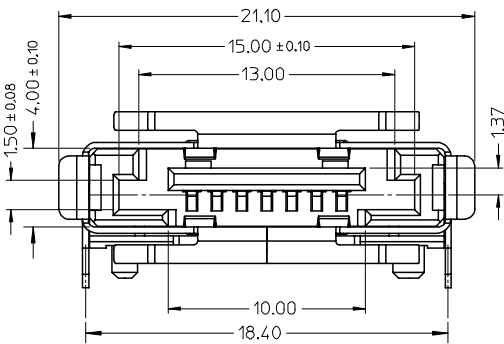
**PLEASE CHECK [WWW.MOLEX.COM](http://WWW.MOLEX.COM) FOR LATEST PART INFORMATION**



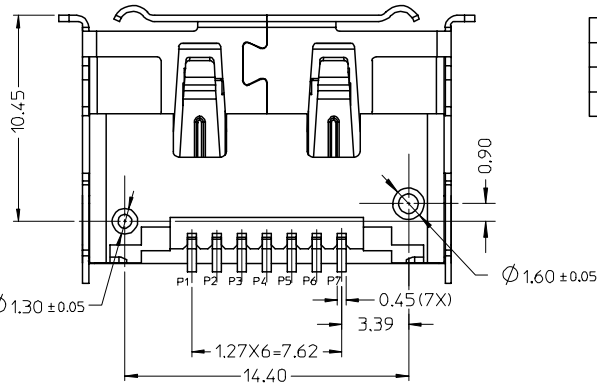
RECOMMEND PCB LAYOUT(CONNECTOR SIDE)  
THICKNESS=1.30(ALL TOLERANCE: +/-0.05)

NOTES:

- MATERIAL:  
HOUSING: PA6T.COLOR: BLACK, UL94V-0.  
SHIELD CASE: COPPER ALLOY.  
TERMIANL: COPPER ALLOY.
- PLATING:  
SHIELD CASE: 100~200µ SOLDERABLE NICKEL OVER ALL.  
TERMINAL: CONTACT AREA GOLD PLATING(SEE CHART) AND  
SOLDER TAIL 50~100µ TIN ALLOY PLATING  
OVER 50µ MIN. NICKEL.
- PRODUCT SPEC REFER TO PS-47082-001.
- PACKAGE SPEC REFER TO PK-47379-001.
- PRODUCT MEET STANDARD 1.0 REVISION OF THE SERIAL ATA II:  
CABLE AND CONNECTOR VOL 2 SPECIFICATION.
- PRODUCT COMPLIANT TO RoHS 2002/95/EC AND ELV 2000/53/EC.



47391-2000	TERMINAL CONTACT AREA PLATED 30µ GOLD
47391-1000	TERMINAL CONTACT AREA PLATED 15µ GOLD
47391-0000	TERMINAL CONTACT AREA PLATED GOLD FLASH
PART NO.	DESCRIPTION



REVISED	EC NO:	2007/04/30	QUALITY SYMBOLS	GENERAL TOLERANCES (UNLESS SPECIFIED)	DIMENSION STYLE MM ONLY	SCALE 4:1	DESIGN UNITS METRIC	THIRD ANGLE PROJECTION			
	DRWG:GLL	2007/05/04							4 PLACES ± --- ± ---	DRAWN BY DATE	TITLE EXTERNAL SATA PLUG SMT WITH SHELL BOTTOM MOUNT TYPE
	CHKD:	2007/05/04							3 PLACES ± --- ± ---	CHECKED BY DATE	
	APPR: INCHEM	2007/05/09							2 PLACES ± 0.2 ± ---	JENNY ZENG 2006/11/16	
REV	DESCRIPTION	1 PLACE ± 0.25 ± ---	APPROVED BY DATE								
D			ANGULAR ± 3 °	GRATE MA 2006/11/16	MOLEX INCORPORATED		DOCUMENT NO.	SHEET NO.			
				DRAFT WHERE APPLICABLE MUST REMAIN WITHIN DIMENSIONS	SEE CHART	SD-47391-100		1 OF 1			
						THIS DRAWING CONTAINS INFORMATION THAT IS PROPRIETARY TO MOLEX INCORPORATED AND SHOULD NOT BE USED WITHOUT WRITTEN PERMISSION					