

PLEASE CHECK WWW.MOLEX.COM FOR LATEST PART INFORMATION

Part Number: [0876822001](#)
Status: **Active**
Overview: [extreme_powerplus_ssi](#)
Description: 6.35mm (.250") Pitch EXTreme PowerPlus™ Header, All Power, Press fit, Right Angle, 2 Circuits, Lead-free

Documents:

[3D Model](#) [Product Specification PS-87680-006 \(PDF\)](#)
[Drawing \(PDF\)](#) [RoHS Certificate of Compliance \(PDF\)](#)

Agency Certification

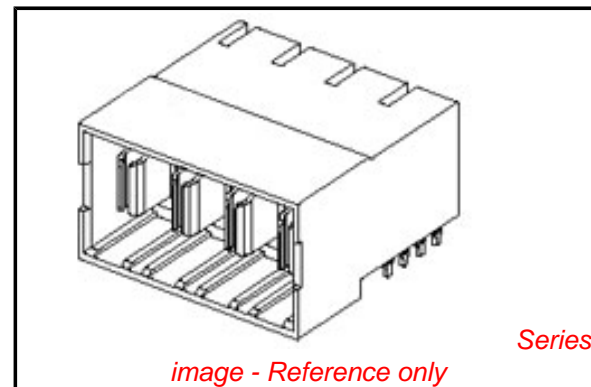
CSA LR19980
 UL E29179

General

Product Family PCB Headers
 Series [87682](#)
 Application Board-to-Board
 Overview [extreme_powerplus_ssi](#)
 Product Name EXTreme PowerPlus™

Physical

Breakaway No
 Circuits (Loaded) 2
 Circuits (maximum) 2
 Circuits Detail All Power
 Color - Resin Black
 Durability (mating cycles max) 100
 First Mate / Last Break No
 Flammability 94V-0
 Glow-Wire Compliant No
 Guide to Mating Part No
 Keying to Mating Part N/A
 Lock to Mating Part Yes
 Material - Metal Copper Alloy
 Material - Plating Mating Gold
 Material - Plating Termination Tin
 Material - Resin High Temperature Thermoplastic
 Number of Rows 1
 Orientation Right Angle
 PC Tail Length (in) 0.135 In
 PC Tail Length (mm) 3.43 mm
 PCB Locator Yes
 PCB Retention Yes
 PCB Thickness Recommended (in) 0.062 In
 PCB Thickness Recommended (mm) 1.60 mm
 Packaging Type Tray
 Pitch - Mating Interface (in) 0.250 In
 Pitch - Mating Interface (mm) 6.35 mm
 Plating min: Mating (µin) 30
 Plating min: Mating (µm) 0.76
 Plating min: Termination (µin) 101.6
 Plating min: Termination (µm) 2.54
 Polarized to Mating Part Yes
 Polarized to PCB No
 Shrouded Fully



EU RoHS

ELV and RoHS Compliant
REACH SVHC
 Not Reviewed
Halogen-Free Status

China RoHS



Need more information on product environmental compliance?

Email productcompliance@molex.com
 For a multiple part number RoHS Certificate of Compliance, [click here](#)

Please visit the [Contact Us](#) section for any non-product compliance questions.

Search Parts in this Series

[87682Series](#)

Mates With

[87691](#) EXTreme PowerPlus™ all Power Receptacle

Stackable	No
Surface Mount Compatible (SMC)	N/A
Temperature Range - Operating	-20°C to +70°C
Termination Interface: Style	Through Hole - Compliant Pin

Electrical

Current - Maximum per Contact	30A
Voltage - Maximum	50V DC

Material Info**Reference - Drawing Numbers**

Application Specification	AS-87631-018, AS-87682-009
Product Specification	PS-87680-006
Sales Drawing	SD-87682-011

This document was generated on 05/25/2010

PLEASE CHECK WWW.MOLEX.COM FOR LATEST PART INFORMATION

10 9 8 7 6 5 4 3 2 1

F

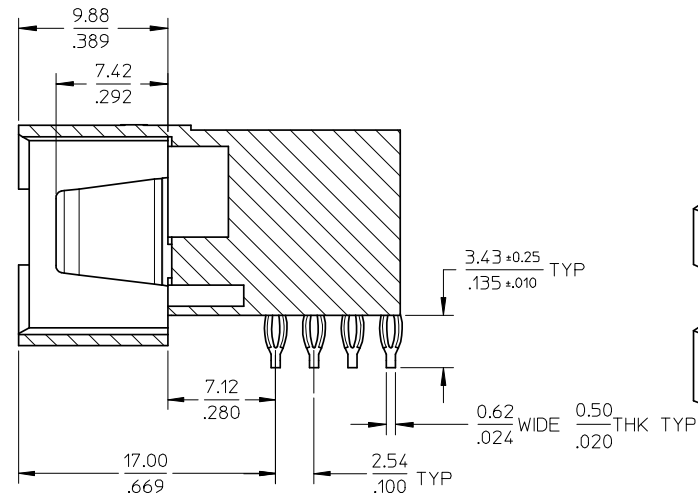
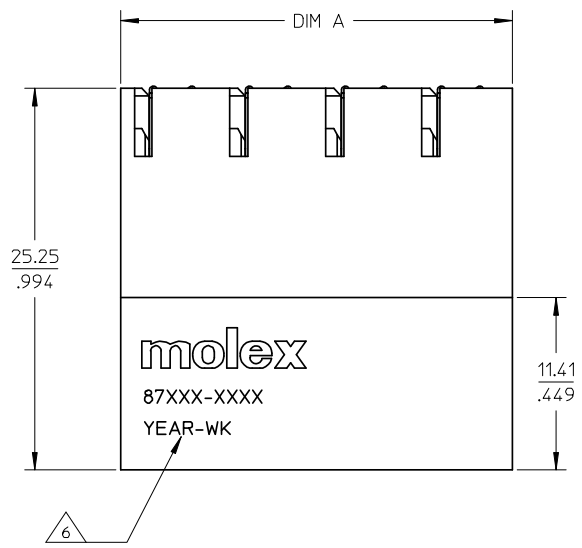
E

D

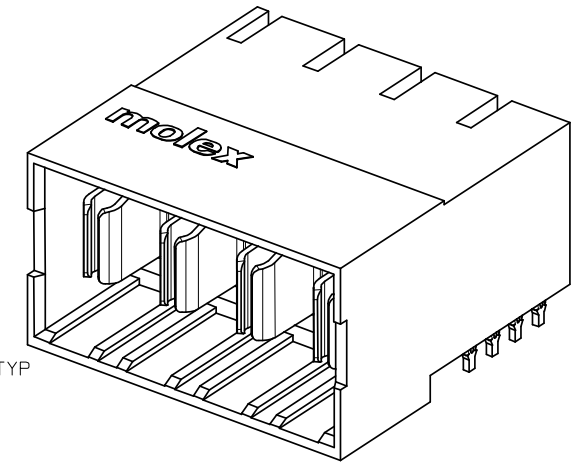
C

B

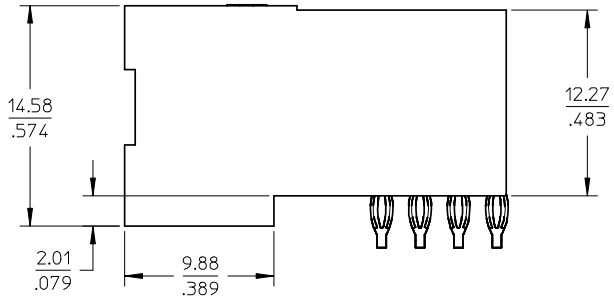
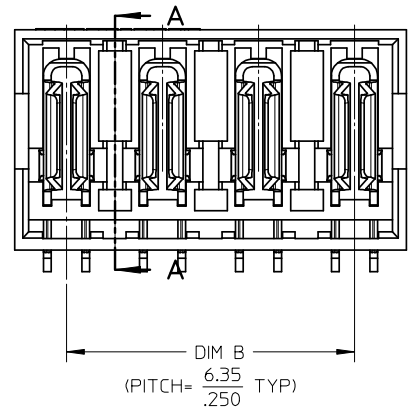
A



SECTION A-A



ISOMETRIC VIEW

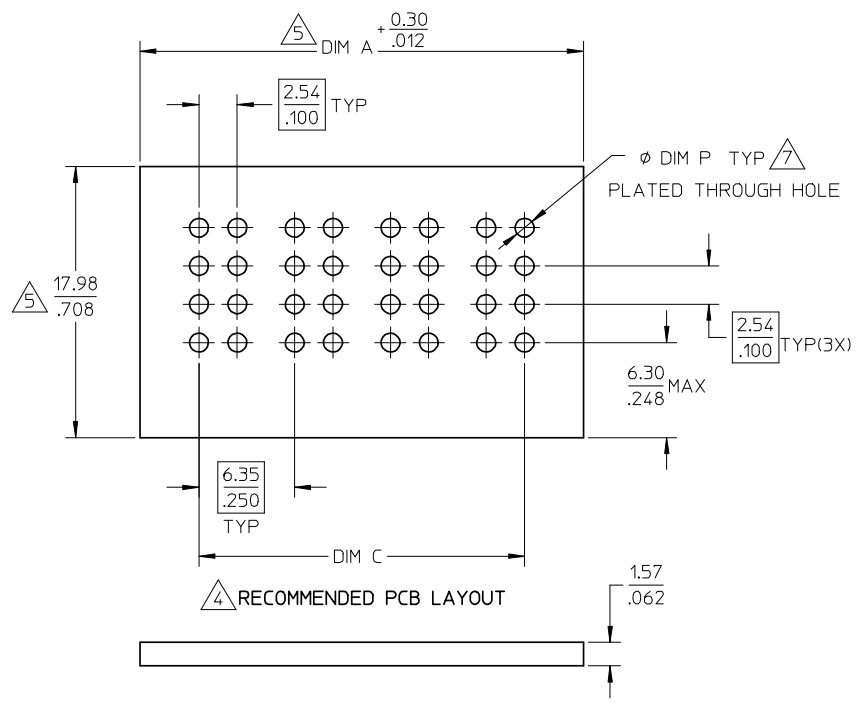


9 8 7 6 5 4 3 2 1

REVISED OSP HOLE SIZE EC NO: S2008-0551 DRWN:SKANG 2007/12/19 CHYK:ATSEE 2007/12/19 APPR:MLONG 2007/12/19	QUALITY SYMBOLS ▽=0 Ⓢ=0	GENERAL TOLERANCES (UNLESS SPECIFIED) mm INCH 4 PLACES ± --- ± --- 3 PLACES ± --- ± .010 2 PLACES ± 0.25 ± --- 1 PLACE ± --- ± --- ANGULAR ± 3 °	DIMENSION STYLE MM/IN DRAWN BY DATE BHOW 2002/11/27 CHECKED BY DATE PTL IM 2002/12/03 APPROVED BY DATE SKTOH 2002/12/03	SCALE NTS DESIGN UNITS METRIC THIRD ANGLE PROJECTION	TITLE HEADER, POWER CONN ALL BLADES POWER CONFIG. PRESS-FIT, R/A
	DESCRIPTION D1	DRAFT WHERE APPLICABLE MUST REMAIN WITHIN DIMENSIONS	MATERIAL NO. SEE TABLE	MOLEX INCORPORATED DOCUMENT NO. SD-87682-011	SHEET NO. 1 OF 2
	THIS DRAWING CONTAINS INFORMATION THAT IS PROPRIETARY TO MOLEX INCORPORATED AND SHOULD NOT BE USED WITHOUT WRITTEN PERMISSION				
	SIZE A3				

10	9	8	7	6	5	4	3	2	1
PART NUMBER	NO OF POWER PINS	DIM A	DIM B	DIM C	PACKAGING	PLATING OPTION (SOLDERTAIL)			
87682-0001	2	$\frac{13.20}{.520}$	$\frac{6.35}{.250}$	$\frac{8.89}{.350}$	TRAY	TIN/LEAD			
87682-0003	4	$\frac{25.90}{1.020}$	$\frac{19.05}{.750}$	$\frac{21.59}{.850}$	TRAY				
87682-2001	2	$\frac{13.20}{.520}$	$\frac{6.35}{.250}$	$\frac{8.89}{.350}$	TRAY	TIN			
87682-2003	4	$\frac{25.90}{1.020}$	$\frac{19.05}{.750}$	$\frac{21.59}{.850}$	TRAY				

	△ TYPE OF PCB	
	TIN/LEAD OR TIN	OSP
DRILLED HOLE SIZE	1.40mm/.055in	1.33mm/.052in
PLATING THICKNESS	0.007mm/.0003in MIN OVER 0.03mm/.001in TO 0.08mm/.003in COPPER	0.25µm/.001in MIN COPPER
PLATED HOLE SIZE △ (DIM P)	$\frac{1.25 \pm 0.08}{.049 \pm .003}$	$\frac{1.25 + 0.025 / - 0.050}{.049 + .001 / - .002}$



- NOTES:
- MATERIALS: HOUSING - HIGH TEMPERATURE, THERMO-PLASTIC
GLASS FILLED, UL94V-0, COLOUR: BLACK
POWER BLADES - COPPER ALLOY
 - FINISHES: POWER - SELECTIVE GOLD IN CONTACT AREA
THICKNESS=0.76 µm / 30 µm MINIMUM
SELECTIVE TIN/LEAD OR TIN IN THE PC TAIL AREA
THICKNESS= 2.54 µm / 100 µm MINIMUM WITH
1.27µm MINIMUM NICKEL UNDERPLATE OVERALL.
 - PRODUCT SPECIFICATION: PS-87680-006.
APPLICATION SPECIFICATION: AS-87682-009.

- △ SEE SHEET 2 FOR RECOMMENDED PCB LAYOUT.
- △ COMPONENT STAY AWAY ZONE FROM CONNECTOR.
- △ MANUFACTURER LOGO, PART NUMBER AND YEAR-WK CODE.
- △ REFER TO RECOMMENDED PCB TABLE.

REVISED OSP HOLE SIZE EC NO: S2008-0551 DRWN:SKANG 2007/12/19 CHKD:ATSEE 2007/12/19 APPR:MLONG 2007/12/19	DESCRIPTION REV	QUALITY SYMBOLS ▽ = 0 ▽ = 0	GENERAL TOLERANCES (UNLESS SPECIFIED)		DIMENSION STYLE MM/IN		SCALE NTS	DESIGN UNITS METRIC	THIRD ANGLE PROJECTION		
				mm	INCH	DRAWN BY BHLW	DATE 2002/11/27	TITLE HEADER, POWER CONN ALL BLADES POWER CONFIG. PRESS-FIT, R/A			
			4 PLACES	± ---	± ---	CHECKED BY PTL IM	DATE 2002/12/03	MOLEX INCORPORATED MATERIAL NO. SEE TABLE DOCUMENT NO. SD-87682-011 SHEET NO. 2 OF 2			
			3 PLACES	± ---	± .010	APPROVED BY SKTOH	DATE 2002/12/03				
2 PLACES	± 0.25	± ---	ANGULAR ± 3 °		DRAFT WHERE APPLICABLE MUST REMAIN WITHIN DIMENSIONS						
1 PLACE	± ---	± ---	SIZE A 3 THIS DRAWING CONTAINS INFORMATION THAT IS PROPRIETARY TO MOLEX INCORPORATED AND SHOULD NOT BE USED WITHOUT WRITTEN PERMISSION								