

BAW101

**SURFACE MOUNT  
DUAL, ISOLATED HIGH VOLTAGE  
SILICON SWITCHING DIODES**

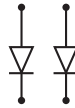


[www.centrasemi.com](http://www.centrasemi.com)

**DESCRIPTION:**

The CENTRAL SEMICONDUCTOR BAW101 consists of two electrically isolated high voltage switching diodes packaged in an epoxy molded SOT-143 surface mount case. This device is designed for applications requiring dual high voltage switching diodes.

**MARKING CODES: CJP or BAW101**



**SOT-143 CASE**

**MAXIMUM RATINGS: ( $T_A=25^\circ\text{C}$ )**

	<b>SYMBOL</b>		<b>UNITS</b>
Continuous Reverse Voltage	$V_R$	300	V
Peak Repetitive Reverse Voltage	$V_{RRM}$	300	V
Continuous Forward Current	$I_F$	200	mA
Peak Repetitive Forward Current	$I_{FRM}$	400	mA
Peak Forward Surge Current, $t_p=1.0\mu\text{s}$	$I_{FSM}$	4.5	A
Power Dissipation	$P_D$	350	mW
Operating and Storage Junction Temperature	$T_J, T_{stg}$	-65 to +150	$^\circ\text{C}$
Thermal Resistance	$\theta_{JA}$	357	$^\circ\text{C/W}$

**ELECTRICAL CHARACTERISTICS PER DIODE: ( $T_A=25^\circ\text{C}$  unless otherwise noted)**

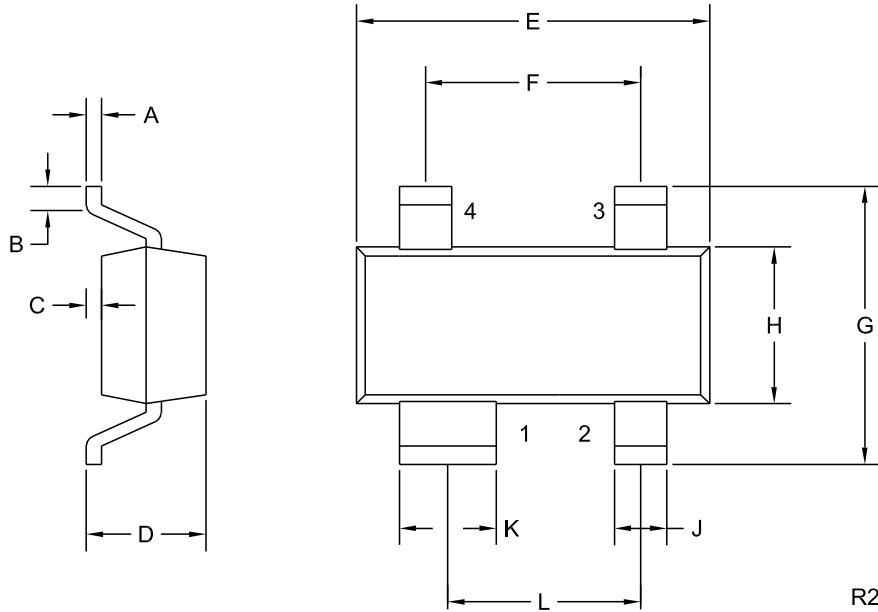
<b>SYMBOL</b>	<b>TEST CONDITIONS</b>	<b>MIN</b>	<b>TYP</b>	<b>MAX</b>	<b>UNITS</b>
$I_R$	$V_R=250\text{V}$			150	nA
$I_R$	$V_R=250\text{V}, T_A=150^\circ\text{C}$			50	$\mu\text{A}$
$BV_R$	$I_R=100\mu\text{A}$	300			V
$V_F$	$I_F=100\text{mA}$		0.9	1.3	V
$C_T$	$V_R=0, f=1.0\text{MHz}$			5.0	pF
$t_{rr}$	$I_F=I_R=30\text{mA}, I_{rr}=3.0\text{mA}, R_L=100\Omega$			50	ns

R7 (8-February 2011)

**BAW101**  
**SURFACE MOUNT**  
**DUAL, ISOLATED HIGH VOLTAGE**  
**SILICON SWITCHING DIODES**

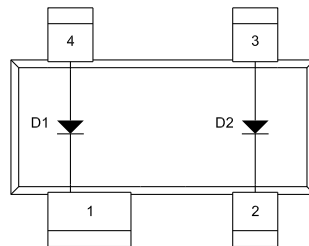


**SOT-143 CASE - MECHANICAL OUTLINE**



R2

**PIN CONFIGURATION**



**LEAD CODE:**

- 1) Cathode D1
- 2) Cathode D2
- 3) Anode D2
- 4) Anode D1

SYMBOL	INCHES		MILLIMETERS	
	MIN	MAX	MIN	MAX
A	0.003	0.006	0.08	0.15
B	0.006	-	0.15	-
C	-	0.005	-	0.13
D	-	0.045	-	1.14
E	0.110	0.120	2.79	3.04
F	0.075		1.90	
G	-	0.098	-	2.50
H	0.047	0.055	1.19	1.40
J	0.014	0.020	0.36	0.50
K	0.030	0.037	0.76	0.93
L	0.067		1.70	

SOT-143 (REV: R2)

**MARKING CODES: CJP or BAW101**

R7 (8-February 2011)