

PRODUCT DATA



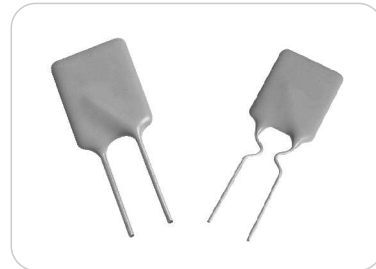
Radial Led Type KRG030 Series

Features

1. Broadest range of resettable devices available in the industry
2. Current ratings from 0.9 to 9A
3. Maximum voltage is 30V

Recommended applications

1. Motors, fans and blowers
2. Keyboard / mouse

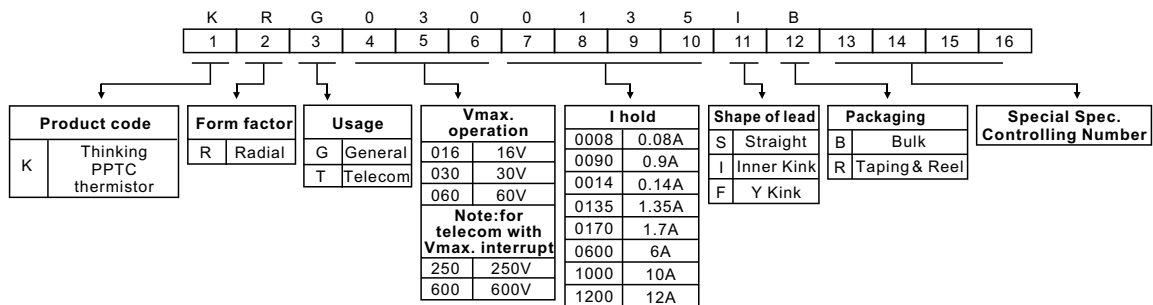


Approvals

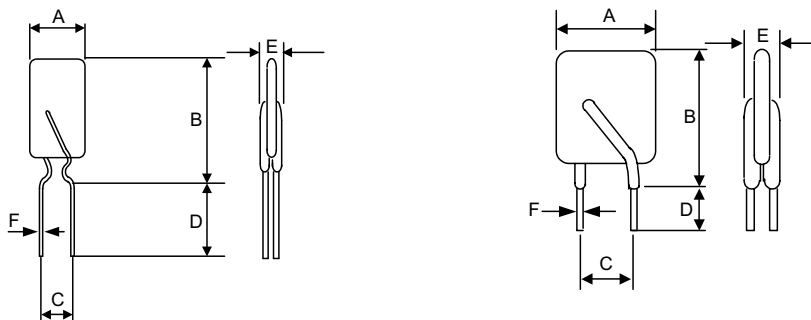


* UL 1434 recognized

Part number code



Dimensions



Marking: Device is marked Vmax. operation, I hold

(Unit: mm)

Part no.	A	B	C	D	E	F
	Max.	Max.	Typ.	Typ.	Max.	Typ.
KRG0300090	7.4	12.2	5.0±0.8	10.5±0.5	3.0	0.5±0.02
KRG0300110	7.4	14.2	5.0±0.8	10.5±0.5	3.0	0.5±0.02
KRG0300135	8.9	13.5	5.0±0.8	10.5±0.5	3.0	0.5±0.02
KRG0300160	8.9	15.2	5.0±0.8	10.5±0.5	3.0	0.5±0.02
KRG0300185	10.2	15.7	5.0±0.8	10.5±0.5	3.0	0.5±0.02
KRG0300250	11.4	18.3	5.0±0.8	10.5±0.5	3.0	0.5±0.02

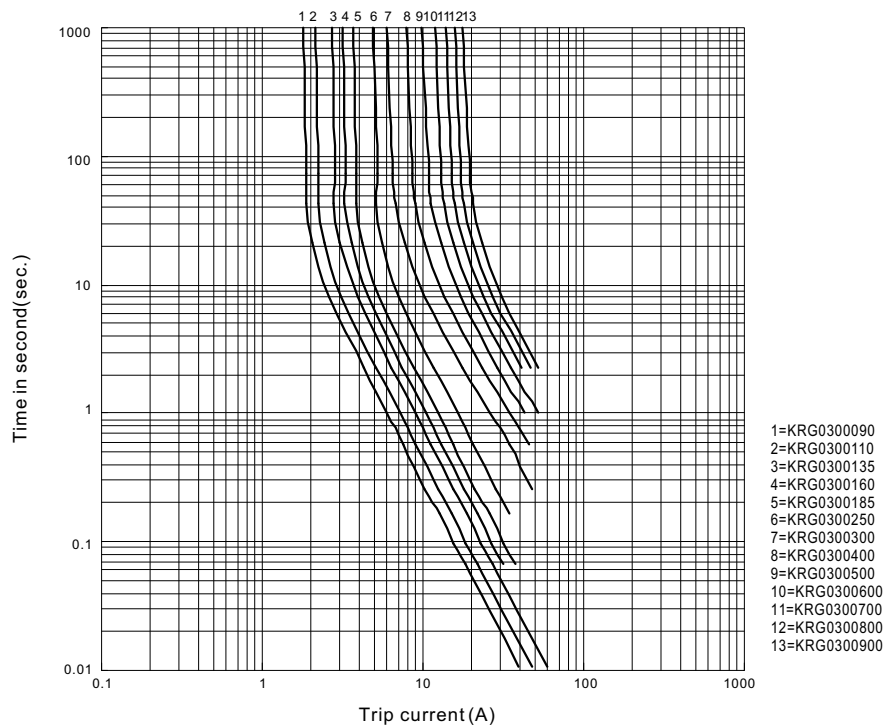
(Unit: mm)

Part no.	A	B	C	D	E	F
	Max.	Max.	Typ.	Typ.	Max.	Typ.
KRG0300300	11.4	17.3	5.0±0.8	11.0±0.8	3.0	0.8±0.02
KRG0300400	14.0	20.1	5.0±0.8	11.0±0.8	3.0	0.8±0.02
KRG0300500	14.0	24.9	10.0±0.8	11.0±0.8	3.0	0.8±0.02
KRG0300600	16.5	24.9	10.0±0.8	11.0±0.8	3.0	0.8±0.02
KRG0300700	19.1	26.7	10.0±0.8	11.0±0.8	3.0	0.8±0.02
KRG0300800	21.6	29.2	10.0±0.8	11.0±0.8	3.0	0.8±0.02
KRG0300900	24.1	29.7	10.0±0.8	11.0±0.8	3.0	0.8±0.02

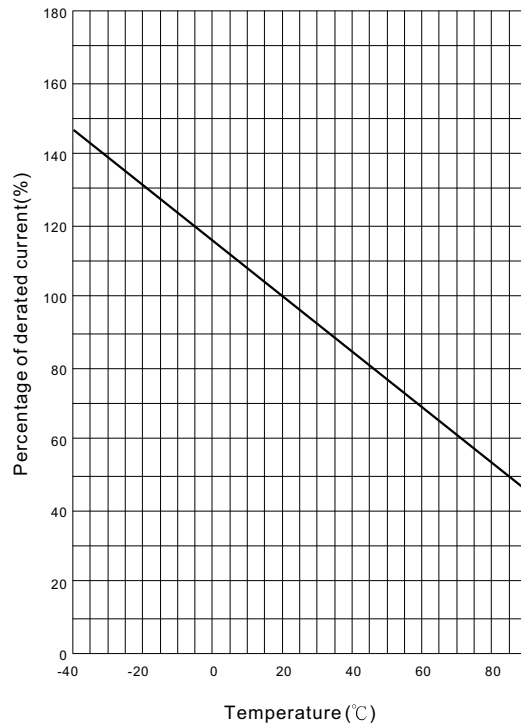
● Characteristics

Part no.	Vmax.	Imax.	Ihold @ 23°C	Itrip @ 23°C	Pd (Max.)	Maximum time to trip		Resistance (Ω)		
								Initial (Ri)		Post trip (R1)
	(Vdc)	(A)	(A)	(A)	(W)	(A)	(Sec.)	Min.	Max.	Max.
KRG0300090	30	40	0.90	1.8	0.6	4.50	5.90	0.070	0.120	0.22
KRG0300110	30	40	1.10	2.2	0.7	5.50	6.60	0.050	0.100	0.17
KRG0300135	30	40	1.35	2.7	0.8	6.75	7.30	0.040	0.080	0.13
KRG0300160	30	40	1.60	3.2	0.9	8.00	8.00	0.030	0.070	0.11
KRG0300185	30	40	1.85	3.7	1.0	9.25	8.70	0.030	0.060	0.09
KRG0300250	30	40	2.50	5.0	1.2	12.50	10.30	0.020	0.040	0.07
KRG0300300	30	40	3.00	6.0	2.0	15.00	10.80	0.020	0.050	0.08
KRG0300400	30	40	4.00	8.0	2.5	20.00	12.70	0.010	0.030	0.05
KRG0300500	30	40	5.00	10.0	3.0	25.00	14.50	0.010	0.030	0.05
KRG0300600	30	40	6.00	12.0	3.5	30.00	16.00	0.005	0.020	0.04
KRG0300700	30	40	7.00	14.0	3.8	35.00	17.50	0.005	0.020	0.03
KRG0300800	30	40	8.00	16.0	4.0	40.00	18.80	0.005	0.013	0.02
KRG0300900	30	40	9.00	18.0	4.2	45.00	20.00	0.005	0.010	0.02

● Average time to trip curve



● **Thermal derating curve**



● **Reliability test**

Item	Test condition/methods	Criteria
Passive aging	85°C, 1000hrs	$\Delta R/R_i \leq \pm 5\%$
Humidity storage	40°C, 95%RH, 1344hrs Mil-Std 202, method 103 condition D	$\Delta R/R_i \leq \pm 5\%$
Thermal shock	85/-40°C, 20 cycles	$\Delta R/R_i \leq \pm 10\%$
Cycle life	50 cycles at a 120% maximum current (I_{max}) and maximum voltage (V_{max}). UL 1434	No damage
Trip endurance	V_{max} , I_{max} , 48Hrs	No damage
Steady-state operating life	V_{max} , I_{ss} , 1000hrs Mil-Std 750, method 1026	$\Delta R/R_i \leq \pm 10\%$