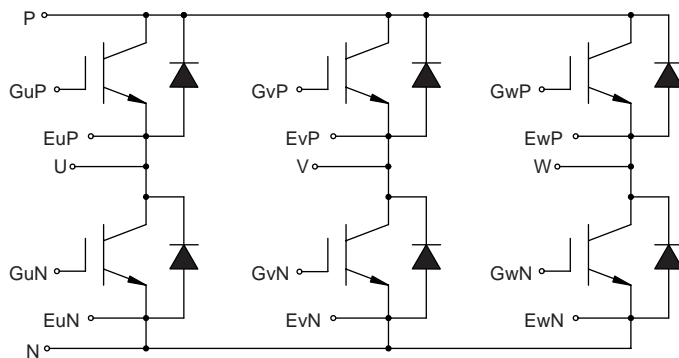
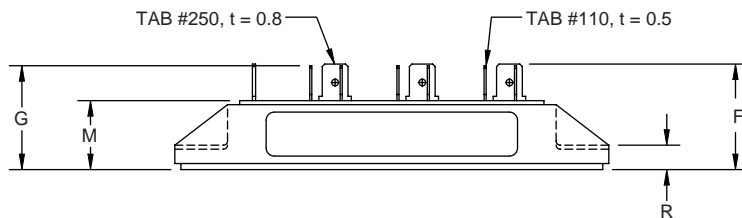
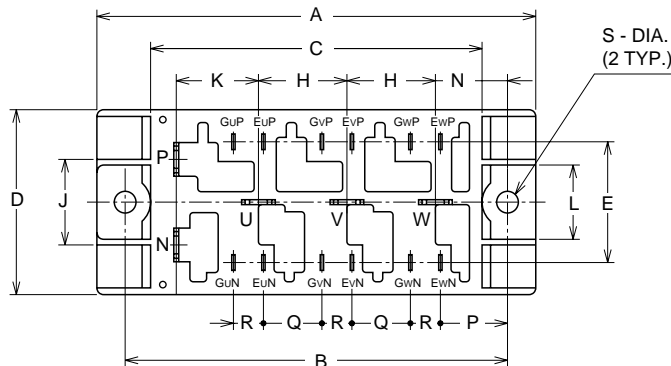


# MITSUBISHI IGBT MODULES

## CM15TF-24H

MEDIUM POWER SWITCHING USE  
INSULATED TYPE



Outline Drawing and Circuit Diagram

Dimensions	Inches	Millimeters
A	4.21	107.0
B	3.66±0.01	93.0±0.2
C	3.19	81.0
D	1.77	45.0
E	1.18	30.0
F	1.11	28.2
G	1.05	26.6
H	0.85	21.5
J	0.83	21.0

Dimensions	Inches	Millimeters
K	0.79	20.0
L	0.71	18.0
M	0.69	17.5
N	0.69	17.5
P	0.63	16.0
Q	0.55	14.0
R	0.30	7.5
S	0.22 Dia.	Dia. 5.5



### Description:

Mitsubishi IGBT Modules are designed for use in switching applications. Each module consists of six IGBTs in a three phase bridge configuration, with each transistor having a reverse-connected super-fast recovery free-wheel diode. All components and interconnects are isolated from the heat sinking baseplate, offering simplified system assembly and thermal management.

### Features:

- Low Drive Power
- Low  $V_{CE(sat)}$
- Discrete Super-Fast Recovery Free-Wheel Diode
- High Frequency Operation
- Isolated Baseplate for Easy Heat Sinking

### Applications:

- AC Motor Control
- Motion/Servo Control
- UPS
- Welding Power Supplies

### Ordering Information:

Example: Select the complete part module number you desire from the table below -i.e. CM15TF-24H is a 1200V ( $V_{CES}$ ), 15 Ampere Six-IGBT Module.

Type	Current Rating Amperes	$V_{CES}$ Volts (x 50)
CM	15	24

## CM15TF-24H

MEDIUM POWER SWITCHING USE  
INSULATED TYPEAbsolute Maximum Ratings,  $T_j = 25\text{ }^\circ\text{C}$  unless otherwise specified

	Symbol	Ratings	Units
Junction Temperature	$T_j$	-40 to 150	$^\circ\text{C}$
Storage Temperature	$T_{stg}$	-40 to 125	$^\circ\text{C}$
Collector-Emitter Voltage (G-E SHORT)	$V_{CES}$	1200	Volts
Gate-Emitter Voltage (C-E SHORT)	$V_{GES}$	$\pm 20$	Volts
Collector Current ( $T_C = 25^\circ\text{C}$ )	$I_C$	15	Amperes
Peak Collector Current	$I_{CM}$	30*	Amperes
Emitter Current** ( $T_C = 25^\circ\text{C}$ )	$I_E$	15	Amperes
Peak Emitter Current**	$I_{EM}$	30*	Amperes
Maximum Collector Dissipation ( $T_C = 25^\circ\text{C}$ , $T_j \leq 150^\circ\text{C}$ )	$P_C$	150	Watts
Mounting Torque, M5 Mounting	-	1.47 ~ 1.96	N · m
Weight	-	260	Grams
Isolation Voltage (Main Terminal to Baseplate, AC 1 min.)	$V_{iso}$	2500	Vrms

\*Pulse width and repetition rate should be such that the device junction temperature ( $T_j$ ) does not exceed  $T_{j(max)}$  rating.

\*\*Represents characteristics of the anti-parallel, emitter-to-collector free-wheel diode (FWDi).

Static Electrical Characteristics,  $T_j = 25\text{ }^\circ\text{C}$  unless otherwise specified

Characteristics	Symbol	Test Conditions	Min.	Typ.	Max.	Units
Collector-Cutoff Current	$I_{CES}$	$V_{CE} = V_{CES}$ , $V_{GE} = 0V$	-	-	1.0	mA
Gate Leakage Current	$I_{GES}$	$V_{GE} = V_{GES}$ , $V_{CE} = 0V$	-	-	0.5	$\mu\text{A}$
Gate-Emitter Threshold Voltage	$V_{GE(th)}$	$I_C = 1.5\text{mA}$ , $V_{CE} = 10V$	4.5	6.0	7.5	Volts
Collector-Emitter Saturation Voltage	$V_{CE(sat)}$	$I_C = 15A$ , $V_{GE} = 15V$	-	2.5	3.4**	Volts
		$I_C = 15A$ , $V_{GE} = 15V$ , $T_j = 150^\circ\text{C}$	-	2.25	-	Volts
Total Gate Charge	$Q_G$	$V_{CC} = 600V$ , $I_C = 15A$ , $V_{GE} = 15V$	-	75	-	nC
Emitter-Collector Voltage	$V_{EC}$	$I_E = 15A$ , $V_{GE} = 0V$	-	-	3.5	Volts

\*\* Pulse width and repetition rate should be such that device junction temperature rise is negligible.

Dynamic Electrical Characteristics,  $T_j = 25\text{ }^\circ\text{C}$  unless otherwise specified

Characteristics	Symbol	Test Conditions	Min.	Typ.	Max.	Units
Input Capacitance	$C_{ies}$		-	-	3	nF
Output Capacitance	$C_{oes}$	$V_{GE} = 0V$ , $V_{CE} = 10V$	-	-	1.1	nF
Reverse Transfer Capacitance	$C_{res}$		-	-	0.6	nF
Resistive	Turn-on Delay Time	$V_{CC} = 600V$ , $I_C = 150A$ ,	-	-	100	ns
	Rise Time					
Switching	Turn-off Delay Time	$V_{GE1} = V_{GE2} = 15V$ , $R_G = 21\Omega$	-	-	150	ns
	Fall Time					
Diode Reverse Recovery Time	$t_{rr}$	$I_E = 15A$ , $di_E/dt = -30A/\mu\text{s}$	-	-	250	ns
Diode Reverse Recovery Charge	$Q_{rr}$	$I_E = 15A$ , $di_E/dt = -30A/\mu\text{s}$	-	0.11	-	$\mu\text{C}$

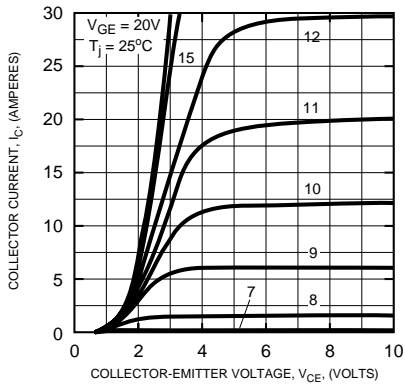
Thermal and Mechanical Characteristics,  $T_j = 25\text{ }^\circ\text{C}$  unless otherwise specified

Characteristics	Symbol	Test Conditions	Min.	Typ.	Max.	Units
Thermal Resistance, Junction to Case	$R_{th(j-c)}$	Per IGBT	-	-	0.80	$^\circ\text{C/W}$
Thermal Resistance, Junction to Case	$R_{th(j-c)}$	Per FWDi	-	-	1.40	$^\circ\text{C/W}$
Contact Thermal Resistance	$R_{th(c-f)}$	Per Module, Thermal Grease Applied	-	-	0.058	$^\circ\text{C/W}$

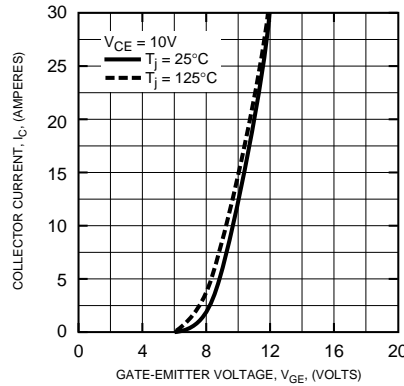
# CM15TF-24H

MEDIUM POWER SWITCHING USE  
INSULATED TYPE

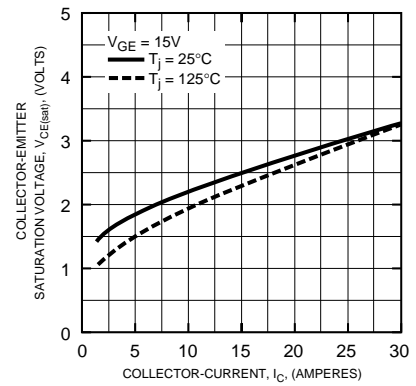
OUTPUT CHARACTERISTICS  
(TYPICAL)



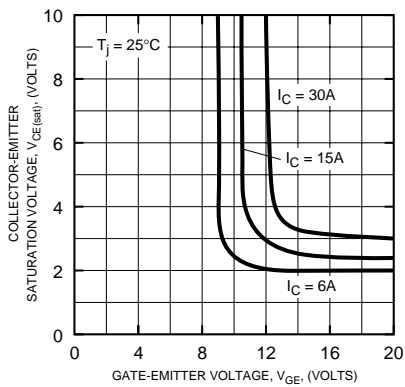
TRANSFER CHARACTERISTICS  
(TYPICAL)



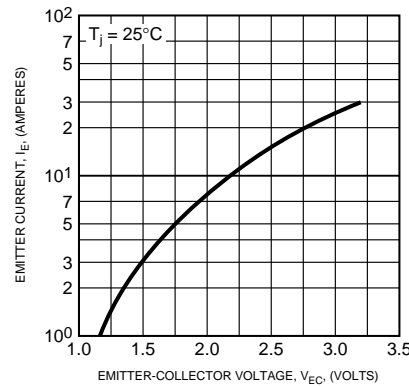
COLLECTOR-EMITTER SATURATION VOLTAGE CHARACTERISTICS  
(TYPICAL)



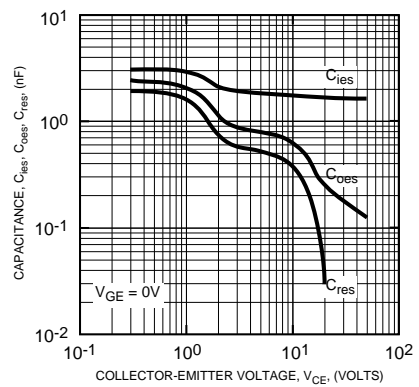
COLLECTOR-EMITTER SATURATION VOLTAGE CHARACTERISTICS  
(TYPICAL)



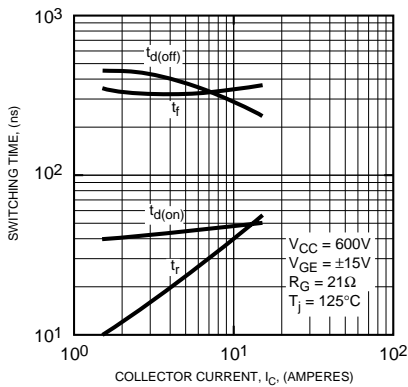
FREE-WHEEL DIODE FORWARD CHARACTERISTICS  
(TYPICAL)



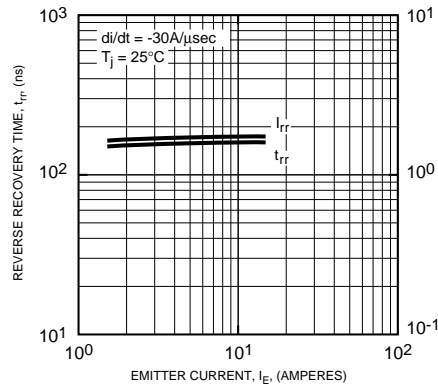
CAPACITANCE VS.  $V_{CE}$   
(TYPICAL)



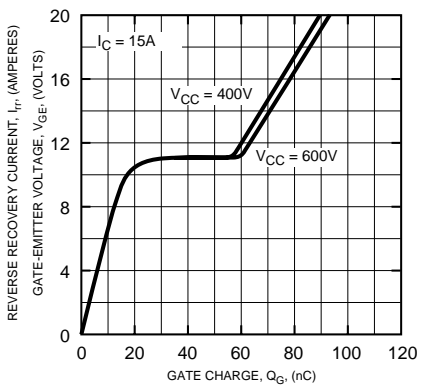
HALF-BRIDGE SWITCHING CHARACTERISTICS  
(TYPICAL)



REVERSE RECOVERY CHARACTERISTICS  
(TYPICAL)



GATE CHARGE,  $V_{GE}$



# CM15TF-24H

MEDIUM POWER SWITCHING USE  
INSULATED TYPE

