

LCA Series Subminiature Snap-acting Switches



Features/Benefits

- Compact design
- Long life and high electrical capacity
- Quick connect, solder terminals, PC terminals
- Wide variety of actuator styles
- RoHS compatible

Typical Applications

- Motorized equipment
- Sump pump
- Thermostatic controls



Models Available

Specifications

CONTACT RATING: From low level to 10.1 AMPS @ 125/250 V AC
 ELECTRICAL LIFE: 10,000 cycles @10.1 AMPS
 100,000 cycles @ 6 AMPS
 MECHANICAL LIFE: 300,000 cycles.
 INSULATION RESISTANCE: 100 M ohm min.
 DIELECTRIC STRENGTH: 1,500 Vrms min. @ sea level.
 OPERATING TEMPERATURE: -40°C to +125°C
 OPERATING FORCE: 150 grams at actuator button MAX.
 Forces are less at free end of lever actuators; (see ACTUATOR'S option sections).
 MOUNTING: 2-56 screws, torque 2.3 in/lbs max.

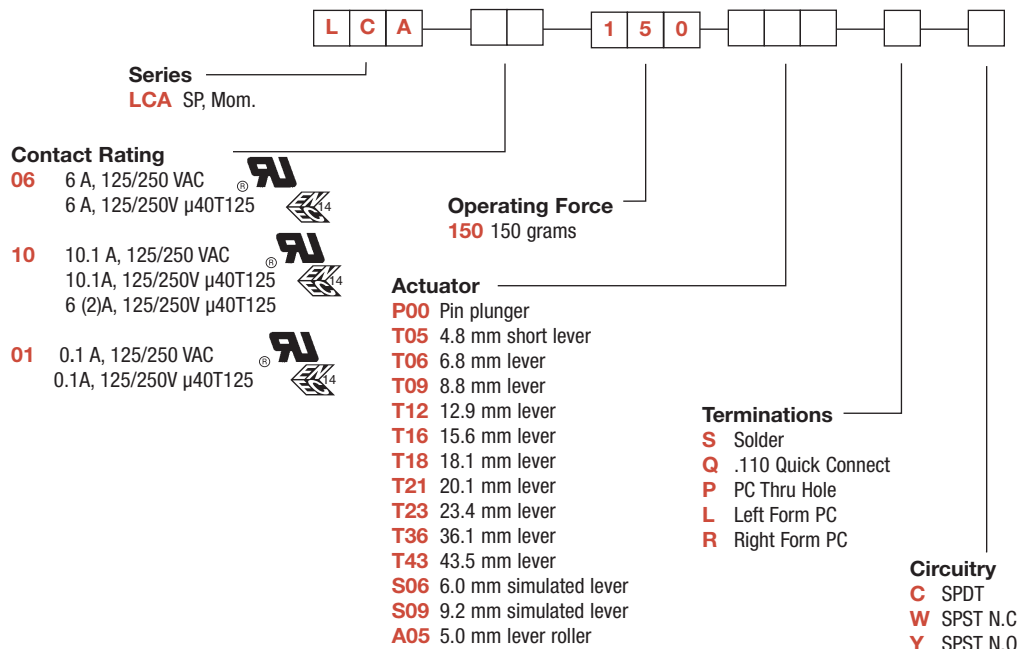
Materials

SWITCH HOUSING: Thermoplastic polyester
 ACTUATOR BUTTON: Thermoplastic polyester.
 SPRING: Copper alloy.
 PIVOT: Copper alloy.
 MOVABLE CONTACTS: Silver Nickel
 STATIONARY CONTACTS: Silver nickel on copper alloy.
 TERMINALS: Copper alloy.
 ACTUATOR LEVER: Stainless steel.

NOTE: Specifications and materials listed above are for switches with standard options.
 For information on specific and custom switches, consult Customer Service center.

Build-A-Switch

To order, simply select desired option from each category and place in the appropriate box. Available options are shown and described on pages J-22 thru J-24. For additional options not shown in catalog, consult Customer Service Center.

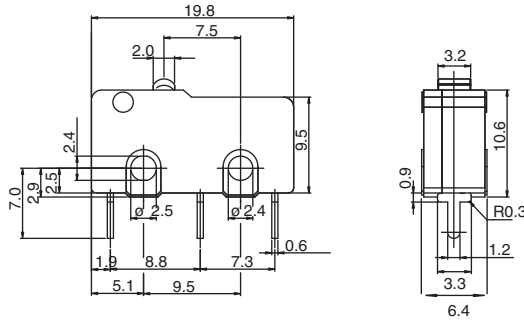


Dimensions are shown: mm
 Specifications and dimensions subject to change

LCA Series Subminiature Snap-acting Switches

SERIES

LCA



Snap-acting

ELECTRICAL RATING

RoHS COMPLIANT *	RoHS COMPATIBLE *	OPTION CODE	ELECTRICAL RATING
YES	YES	06	6A, 125/250 VAC
YES	YES	10	10.1A, 125/250 VAC
YES	YES	01	.1A, 125/250 VAC

* Note: See Technical Data section of this catalog for RoHS compliant and compatible definition and specifications.

OPERATING FORCE

OPTION CODE	OPERATING FORCES (grams)
150	150 grams max.

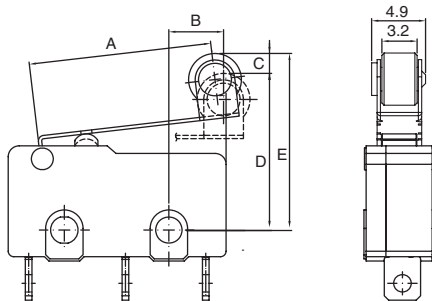


Dimensions are shown: mm
Specifications and dimensions subject to change

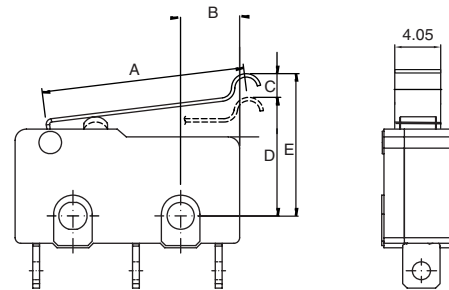
LCA Series Subminiature Snap-acting Switches

ACTUATOR

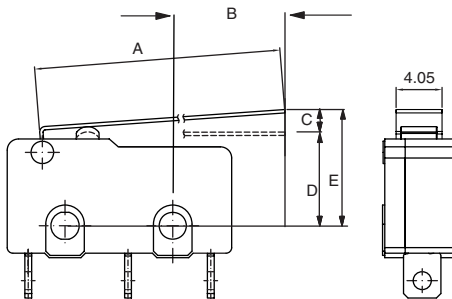
A05 LEVER ROLLER



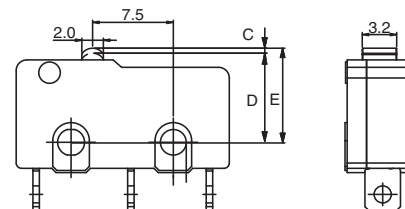
SXX SIMULATED ROLLER



TXX LEVER



P00



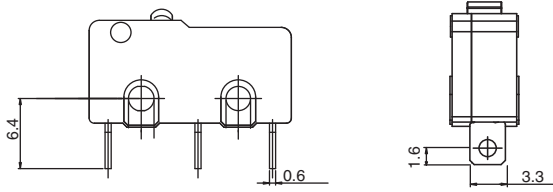

Snap-acting

ACTUATOR OPTION CODE	A mm	B mm	eC mm	D mm	E mm	Diff. Motion mm max	Oper. Force max. grams	Release Force min. grams	Over Travel min.
	LENGTH OF LEVER	Lever length for front mtg. hole to OP	PRE TRAVEL (MAX)	OPERATING POSITION	FREE POSITION (MAX)				
P00	NA	NA	1.1	8.5 ± 0.3	9.3	0.20	150	25	0.4
T05	16.70	4.80	3.6	8.9 ± 0.08	11.7	0.80	50	6	0.6
T06	18.70	6.80	4.0	8.9 ± 0.09	12.0	0.90	45	5	0.67
T09	20.60	9.10	4.3	9.15 ± 1.35	13.5	1.83	33	2	0.75
T12	24.80	12.90	5.4	8.9 ± 1.5	13.1	1.19	34	2	0.89
T16	27.10	15.60	6.0	9.15 ± 1.7	15.2	1.30	40	1	0.70
T18	30.00	18.50	6.0	9.15 ± 1.9	14.6	1.50	32	1	1.2
T21	32.00	20.50	6.4	9.15 ± 1.85	15.5	1.60	35	1	1.0
T23	35.20	23.40	8.6	8.9 ± 2.0	15.6	1.80	25	1	1.5
T36	47.60	36.10	10.9	8.85 ± 4.2	17.1	3.40	30	1	1.0
T43	55.20	43.50	13.3	8.9 ± 3.0	19.2	2.90	15	1	1.0
S06	17.90	6.00	3.9	10.8 ± 0.9	13.76	0.86	47	5	0.64
S09	21.10	9.20	5.7	16.1 ± 1.5	20.3	1.00	42	2	1.0
A05	16.60	5.00	3.8	14.6 ± 0.8	17.6	0.80	50	6	0.6

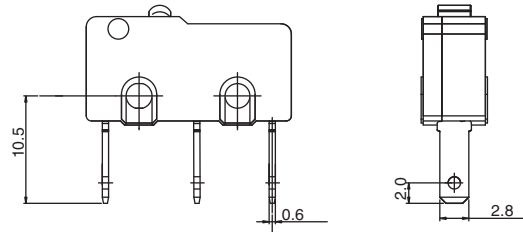
LCA Series Subminiature Snap-acting Switches

TERMINATIONS

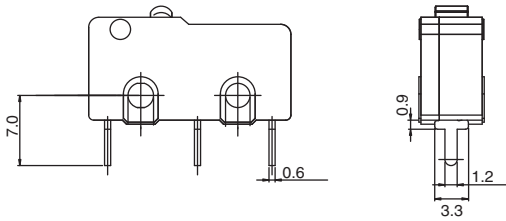
S SOLDER



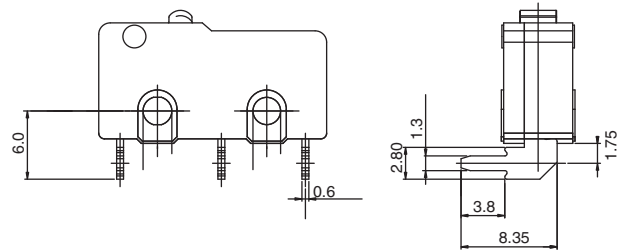
Q QUICK CONNECT



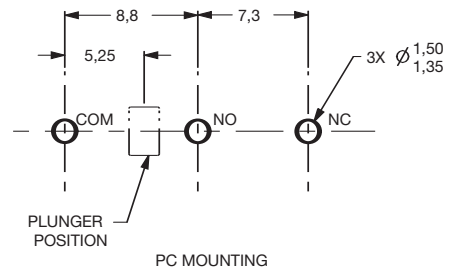
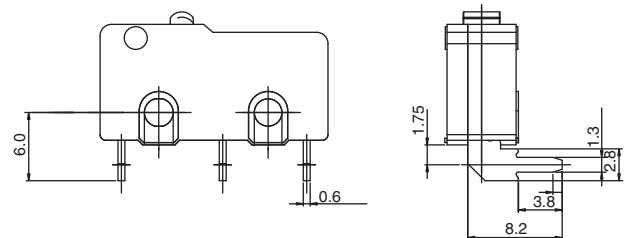
P PC THRU HOLE



L LEFT FORM PC



R RIGHT FORM PC



Third Angle
Projection

Dimensions are shown: mm
Specifications and dimensions subject to change



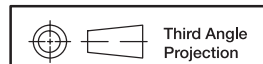
LCA Series Subminiature Snap-acting Switches

CIRCUITRY

- C** SPDT (Single Pole, Double Throw)
- W** SPST N.C. (Single Pole, Single Throw, Normally Closed)
- Y** SPST N.O. (Single Pole, Single Throw, Normally Open)



Snap-acting



Third Angle
Projection

*Dimensions are shown: mm
Specifications and dimensions subject to change*