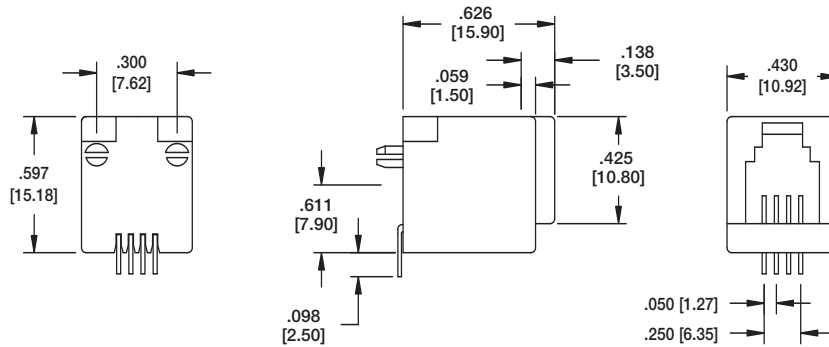


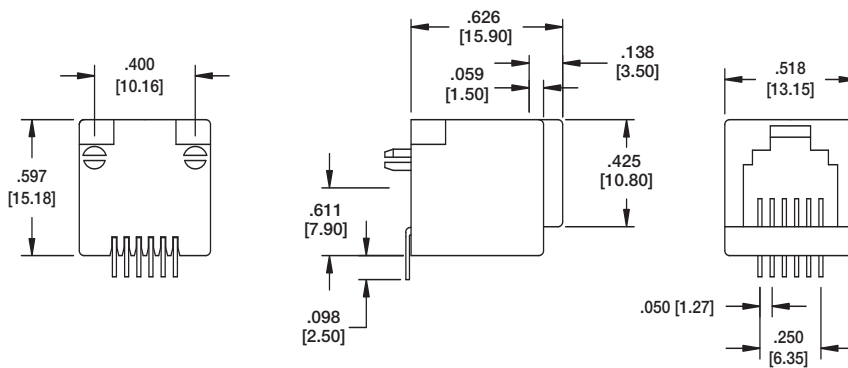
Ordering Information pg. 9

**TYPE K**  
4P4C



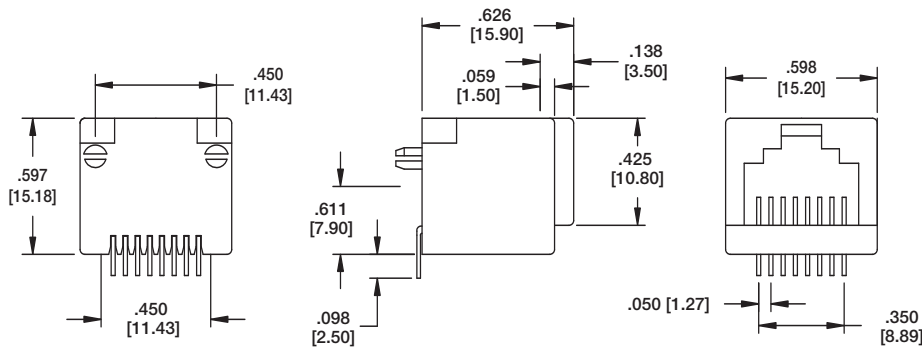
**MTJ-44KX1**

**TYPE K**  
6P4C  
6P6C



**MTJ-66KX1**

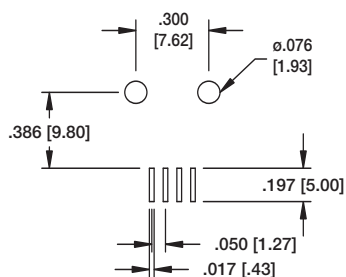
**TYPE K**  
8P8C



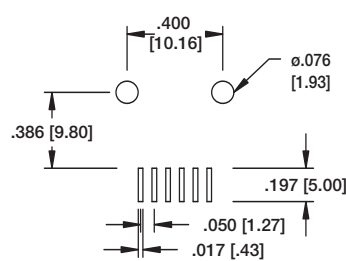
**MTJ-88KX1**

**Recommended PCB Layout**

**4p4c**



**6p6c**



**8p8c**

