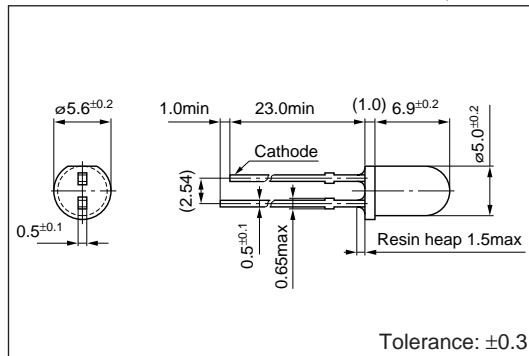


# 5 $\phi$ Round Wide-directivity LED

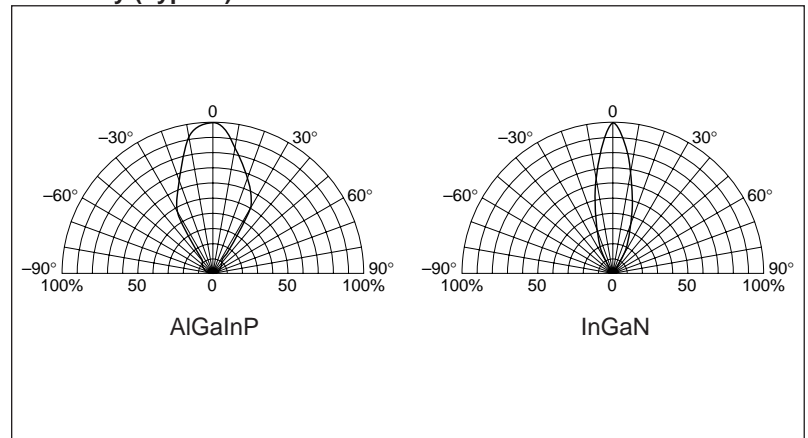
## SEL1010XM Series

### External Dimensions

(Unit: mm)



### Directivity (Typical)



### Absolute maximum ratings (Ta=25°C)

Symbol	Unit	Rating		Condition
		AlGaInP	InGaN	
$I_F$	mA	30		
$\Delta I_F$	mA/°C	-0.45		Above 25°C
$I_{FP}$	mA	100		f=1kHz, tw≤100μs
$V_R$	V	4	5	
Top	°C	-30 to +85	-25 to +85	
Tstg	°C	-30 to +100		

### Electrical Optical characteristics (Ta=25°C)

Emitting color	Part Number	Lens color	Forward voltage			Reverse current		Intensity		Peak wavelength		Spectrum half width		Chip material
			$V_F$		Condition $I_F$	$I_R$	Condition $V_R$	$I_V$	Condition $I_F$	$\lambda_P$		$\Delta\lambda$		
			typ	max						(mA)	max	(V)	(mcd)	
Ultra-high-intensity red	SELU1210CXM	Clear	2.0	2.5	10	100	4	280	20	635	10	15	10	AlGaInP
Ultra-high-intensity amber	SELU1810CXM	Clear						570	20	615	10	15	10	
Ultra-high-intensity pure green	SELU1D10CXM	Clear	3.3	4.0	20	10	5	2000	20	525	10	35	10	InGaN
Ultra-high-intensity blue	SELU1E10CXM	Clear						600	20	470	10	35	10	