

PLEASE CHECK WWW.MOLEX.COM FOR LATEST PART INFORMATION

Part Number: [0506609001](#)
Status: **Active**
Description: 1.00mm (.040") Crimp Pin Terminal, Pre-Tinned Brass

Documents:

Drawing (PDF)	Product Specification PS-104000-001 (PDF)
Packaging Specification (PDF)	RoHS Certificate of Compliance (PDF)

General

Product Family	Crimp Terminals
Series	50660
Crimp Quality Equipment	Yes
Product Name	N/A

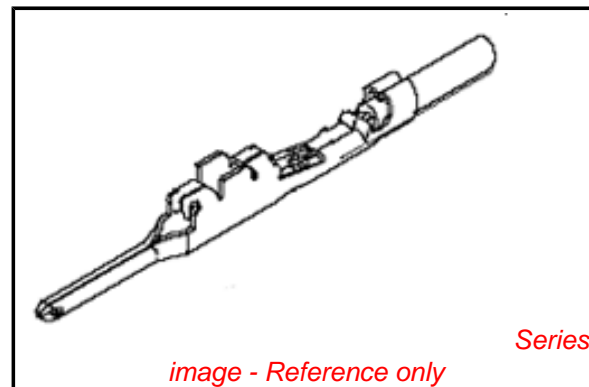
Physical

Gender	Male
Material - Metal	Brass
Material - Plating Mating	Tin
Material - Plating Termination	Tin
Packaging Type	Reel
Plating min: Mating (µin)	32.00
Plating min: Mating (µm)	0.800
Plating min: Termination (µin)	32.00
Plating min: Termination (µm)	0.80
Termination Interface: Style	Crimp or Compression
Wire Insulation Diameter	N/A
Wire Size AWG	N/A
Wire Size mm ²	N/A

Material Info

Reference - Drawing Numbers

Product Specification	PS-104000-001
Sales Drawing	SD-50660-9***



EU RoHS

**ELV and RoHS
Compliant**
**REACH SVHC
Contains SVHC: No**
**Halogen-Free
Status**

China RoHS



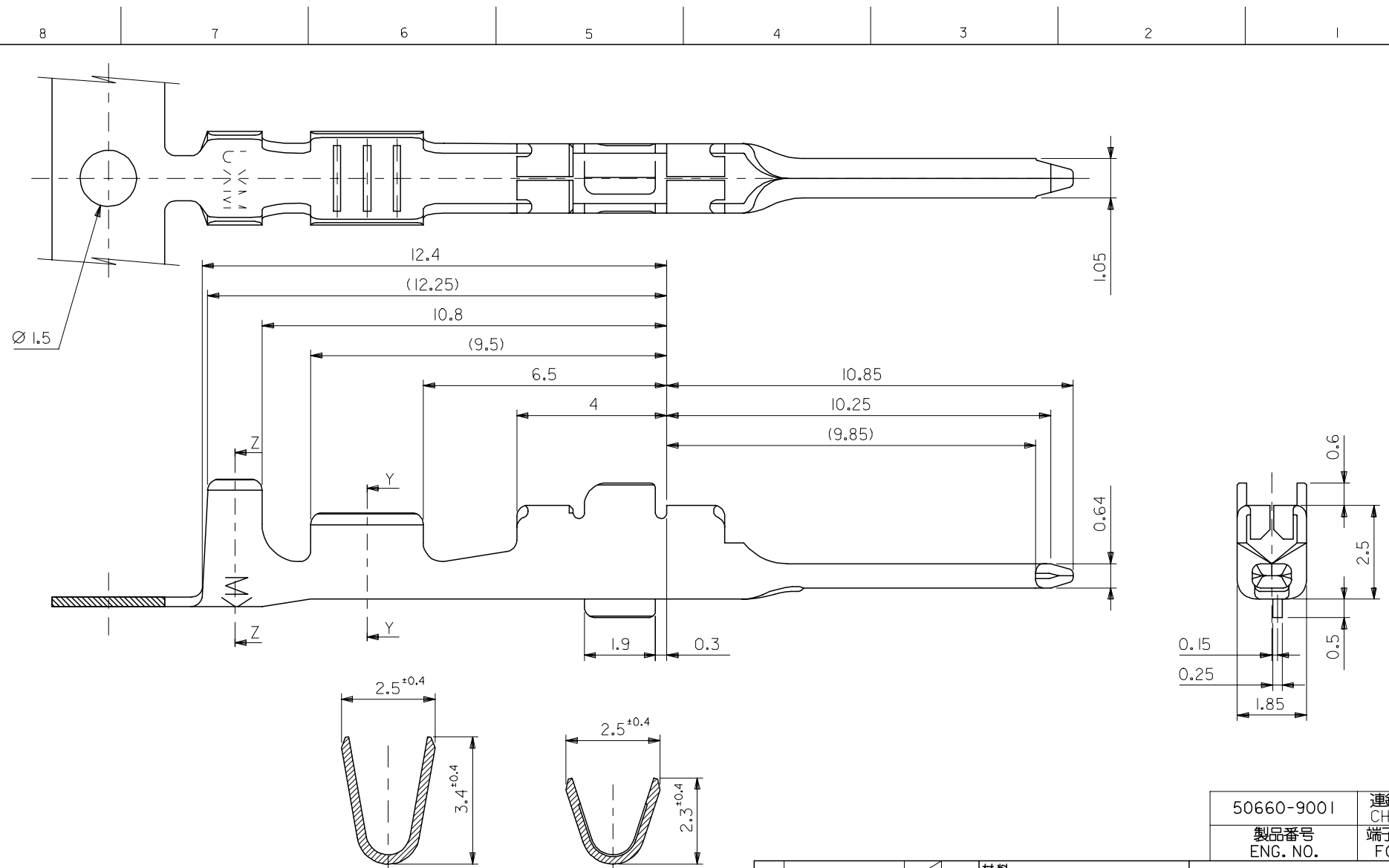
**Need more information on product
environmental compliance?**

Email productcompliance@molex.com
 For a multiple part number RoHS Certificate of
 Compliance, [click here](#)

Please visit the [Contact Us](#) section for any
 non-product compliance questions.

Search Parts in this Series
[50660Series](#)

DWG. NO. SD-50660-9***



注記
NOTES

1. 材料：黄銅、錫メッキ材 (t = 0.25)
MATERIAL : PRE-TINNED BRASS (t=0.25)
2. 適用電線：APPLICABLE WIRE RANGE
AVS-0.3, CAV-0.3, CAVUS-0.3, AVSS-0.3
AVS-0.5, CAV-0.5, CAVUS-0.5, AVSS-0.5
CAV-0.85, CAVUS-0.85, AVSS-0.85

角度 ANGLE	+3°					
30 以上 OVER	+0.3					
10 以上 30 未満 UNDER	+0.25	A	変更 (J2006-3892) S.S. T.J.	2006/6/29		
10 未満 UNDER	+0.2	0	新規/再 RELEASED (JA70152) H.K. T.I.	97/5/12		
一般公差 GENERAL TOLERANCES		記号 LTR	変更内容 REVISION RECORD	DR. CHK. DATE	日付 DATE	

材料 MATERIAL	注記1 参照 SEE NOTE 1
仕上げ FINISH	—
適用電線範囲 WIRE RANGE	注記2 参照 SEE NOTE 2
被覆外径 INS. RANGE	Ø 1.1-2.1
DRAWN BY	'97/5/12 H.KOMATSU
CHK'D BY	'97/5/12 T.IITO
APP'D BY	'97/5/12 M.ENOMOTO
尺度 SCALE	10 : 1

50660-9001	連鎖状 CHAIN
製品番号 ENG. NO.	端子形状 FORM

MOLEX MOLEX-JAPAN CO.,LTD.
日本モレックス株式会社

REVISE ONLY ON CAD SYSTEM

TITLE 名称
I.0(O40)SR CRIMP PIN

DWG. NO.	SD-50660-9***	REV	0
----------	---------------	-----	---