

DESCRIPTION

The LTC2418 is a high resolution, 24-bit $\Delta\Sigma$ ADC with 5ppm INL and 5 μ V offset. Channel selection is programmed through a simple serial interface. Since there is no latency, each conversion is valid, even after a change in input channel.

DC571A is a member of Linear Technology's QuickEval™ family of demonstration boards.

It is designed to allow easy evaluation of the LTC2418 and may be con-

nected directly to the target application's analog signals while using the DC590 USB Serial Controller board and supplied software to measure performance.

After evaluating with LTC's software, the digital signals can be connected to the application's processor/controller for development of the serial interface.

Design files for this circuit board are available. Call the LTC factory.

QUICK START PROCEDURE

Connect DC571 to DC590 USB Serial Controller using the supplied 14-conductor ribbon cable. Connect DC590 to host PC with a standard USB A/B cable. Run the evaluation software supplied with DC590 or downloaded from www.linear.com. The correct program will be loaded automatically.

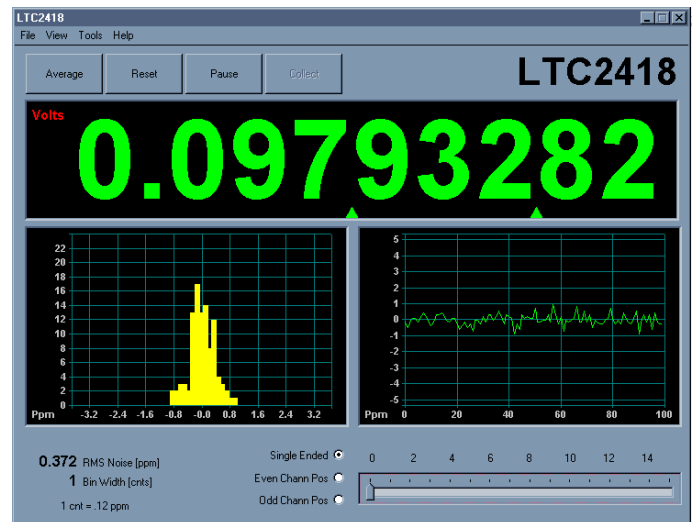


Figure 1. DC590 Program

Click the COLLECT button to start reading the input voltage. Click the slider at the bottom of the strip-chart display to change the input channel being displayed. For differential measurements, Even Channel Pos and Odd Channel Pos correspond to

QUICK START GUIDE FOR DEMONSTRATION CIRCUIT 571

8/16 CHANNEL DIFFERENTIAL 24 BIT ADC

even channels being positive inputs or odd channels being positive inputs, respectively. See the LTC2418 data sheet for details of channel selection.

Tools are available for logging data, changing reference voltage, changing the number of points in the strip chart and histogram, and changing the number of points averaged for the DVM display.

HARDWARE SET-UP

JUMPERS

JP1: Select the connection for the common pin, either ground or external connection. Single ended measurements are taken with respect to this pin.

JP2 and JP3: Select the source for differential reference. Selecting 5V and GND will use the onboard 5 Volt reference. Select EXT to use an external reference.

JP5: Select notch frequency, 60Hz or 50Hz. Alternatively, this jumper may be removed and an external conversion clock applied to the center pin of JP5.

EXPERIMENTS

Figure 2 shows a number of applications for the LTC2418.

CH0, CH1, CH2

Channels 0 and 1 measure the differential output of an Intersema MS5401 absolute pressure sensor. The 6.8k resistor performs a first order temperature compensation of the bridge output. CH2 measures the bridge voltage, which provides a convenient temperature measurement. This can also be used to perform further temperature compensation in software.

CH3

Channel 3 measures the output of a thermistor in a half bridge circuit. Many thermistors will work, the constraints are that the bridge output must have an impedance of less than

CONNECTION TO DC590 SERIAL CONTROLLER

J1 is the power and digital interface connector. Connect to DC590 serial controller with supplied 14 conductor ribbon cable.

ANALOG CONNECTIONS

Analog signal connections are made via the turret posts along the edge of the board (CH0 to CH15.) Also, if you are connecting the board to an existing circuit, make full use of the four ground connections at the corners of the board.

20k and the voltage must not go above $V_{REF}/2$.

CH4

Channel 4 measures the output of a type J thermocouple. The circuit shown for channel 3 can be used for cold junction compensation. The cold junction sensor should be close to the connections of the thermocouple to the board.

CH5

Channel 5 measures the output of an Omega OS36-01 infrared thermocouple. This can be used for remote temperature measurement.

CH6

Channel 6 measures the photocurrent of a Hamamatsu S1336-5BK photodiode.

CH7

Channel 7 measures the output of a resistive attenuator.

CH8, 9

Channels 8 and 9 measure the drop across a Deltec SWE-3000-50 current shunt. Up to 3000 Amps can be measured, with a resolution of 60mA. With careful grounding, both positive and negative currents can be measured. Care must be taken to ensure that both inputs stay more positive than GND-0.3V.

CH10

Channel 10 is buffered with an LT1793 FET input amplifier suitable for very high source impedance measurements.

CH11

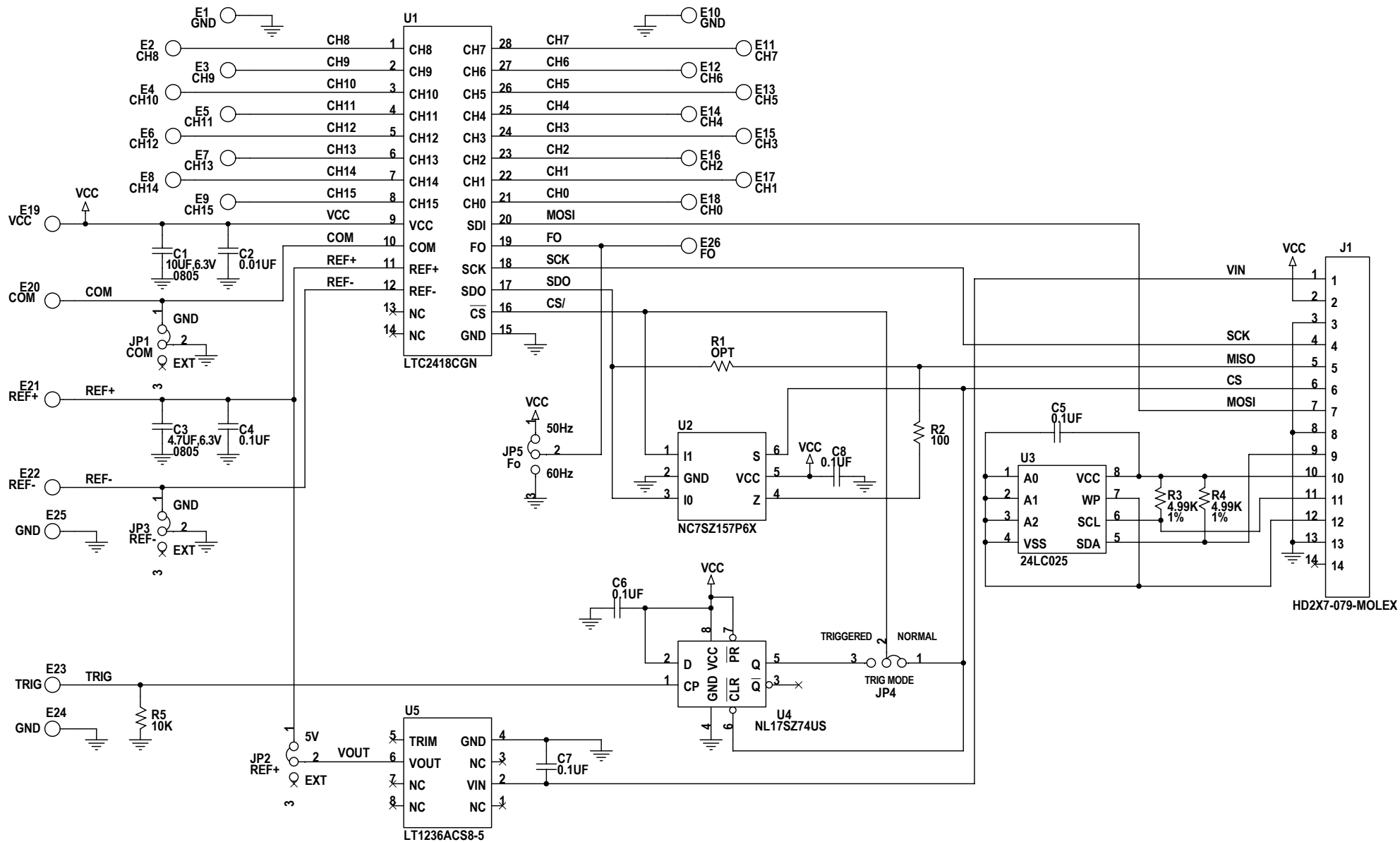
Channel 11 measures the output of a precision rectifier.

CH12, 13

Channels 12 and 13 measure a 3-wire RTD. The differential voltage is the output, and CH12 single ended reading is the ground lead compensation.


CH14, 15

Channels 14 and 15 measure the output of a 350 Ω bridge. This is standard for a wide variety of sensors. Typically the full-scale output voltage is only 10mV. However, the LTC2418 still gives 13 effective bits of resolution with no amplification.



NOTES: UNLESS OTHERWISE SPECIFIED

1. ALL RESISTORS ARE IN OHMS, 0603.
ALL CAPACITORS ARE IN MICROFARADS, 0603.
2. INSTALL SHUNT ON JP1-JP5 PIN 1 AND 2.

CONTRACT NO.			1630 McCarthy Blvd. Milpitas, CA 95035 Phone: (408)432-1900 Fax: (408)434-0507 LTC Confidential-For Customer Use Only	
APPROVALS				
DRAWN: KIM T.	TITLE: SCHEMATIC			
CHECKED:	8-CHANNEL DIFFERENTIAL 24-BIT ADC			
APPROVED:	SIZE	DWG NO.	REV	
ENGINEER: MARK T.	A	DC571A-1 * LTC2418CGN	A	
DESIGNER:	DATE:	Thursday, January 09, 2003	SHEET 1 OF 1	

