

EPF8230S

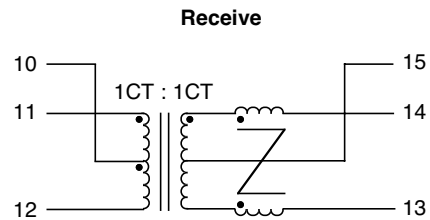
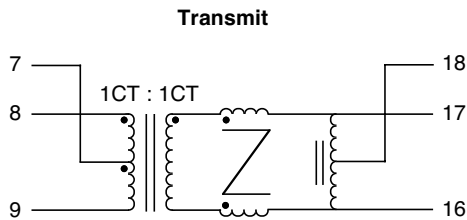
- Complies with or exceeds IEEE 802.3 10/100Base-TX •
- 1500 Vrms Isolation •

Electrical Parameters @ 25° C

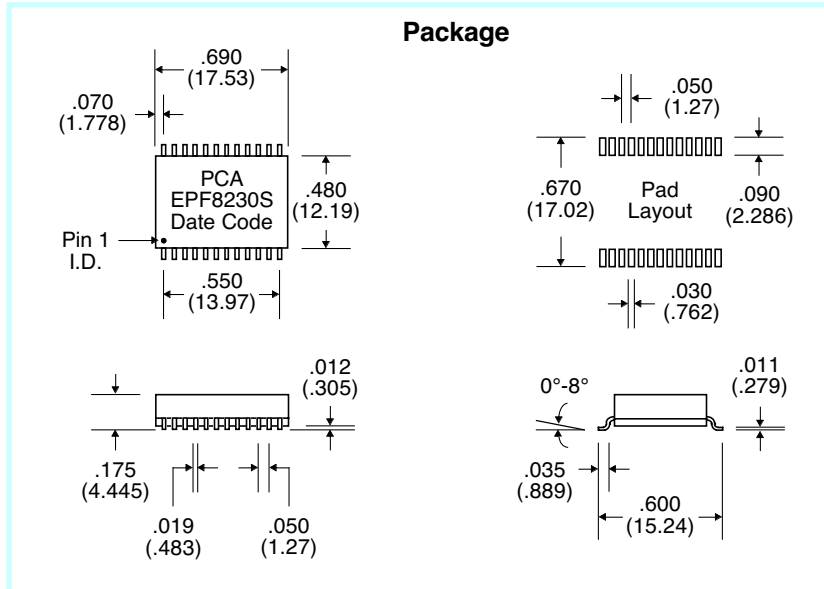
OCL (μ H Min.)	Insertion Loss (dB Max.)		Return Loss (dB Min.)			CMRR (dB Min.)	Common to Differential (dB Min.)				Crosstalk (dB Min.)		
	1-65 MHz	65-100 MHz	1-40 MHz	60 MHz	80 MHz		1 MHz	30 MHz	50 MHz	100 MHz	1-40 MHz	60 MHz	100 MHz
@ 100 KHz, 0.1 Vrms 8 mA DC Bias													
350 (Media Side)	-1	-1.1	-18	-15	-12	-30	-60	-40	-35	-30	-40	-35	-30

• Impedance : 100 Ω •

Schematic



Package



Unless Otherwise Specified Dimensions are in Inches /mm \pm .010 / .25