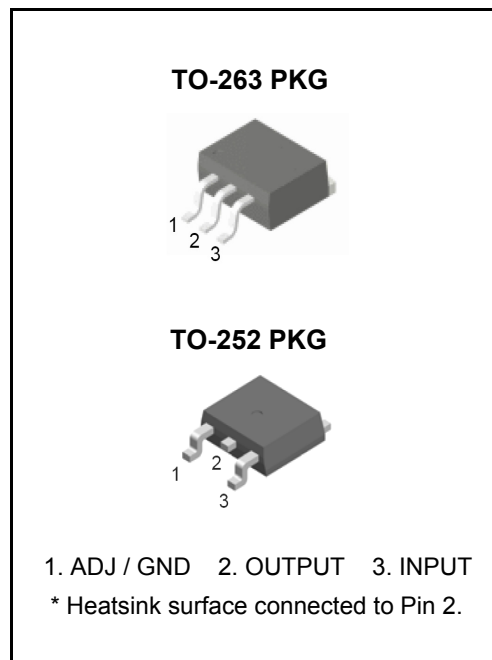


## FEATURES

- Output Current of 5A
- Fast Transient Response
- 0.04% Line Regulation
- 0.2% Load Regulation
- Internal Thermal and Current Limiting
- Adjustable or Fixed Output Voltage(1.5V, 1.8V, 2.5V, 3.3V, 5.0V)
- Surface Mount Package TO-263 3LD and TO-252 3L
- 100% Thermal Limit Burn-in
- Low Dropout Voltage 1.5V at 5A Output Current
- Moisture Sensitivity Level 3

## APPLICATIONS

- High Efficiency Linear Regulators / Power Supply
- High Efficiency "Green" Computer Systems
- Constant Current Regulators
- Portable Instrumentation
- SMPS Post-Regulator
- Adjustable Power Supplies
- Powering VGA & Sound Card



## ORDERING INFORMATION

Device	Package
LM1084R-X.X	TO-263 3LD
LM1084RS-X.X	TO-252 3LD

(X.X=VOUT=1.5V, 1.8V, 2.5V, 3.3V, 5.0V, ADJ)

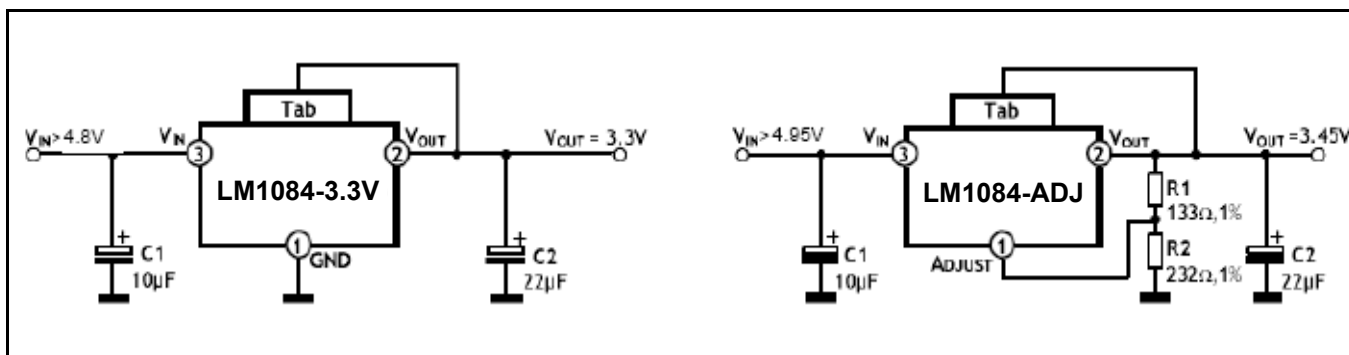
## DESCRIPTION

The LM1084 series of positive adjustable and fixed regulators are designed to provide 5A with high efficient. All internal circuitry is designed to operate down to 1.3V input to output differential.

On-chip trimming adjusts the reference voltage to 1%.

It's low dropout voltage and fast transient response make it ideal for low voltage microprocessor applications. Internal current and thermal limiting provides protection against any overload condition that would create excessive junction temperature.

## TEST & TYPICAL APPLICATION CIRCUIT



Note

- (1) C1 needed if device is far away from filter capacitors.
- (2) C2 minimum value required for stability.

$$V_{REF} = V_{OUT} - V_{ADJ} = 1.25V(\text{Typ.}) \quad I_{ADJ} = 55\mu A(\text{Typ.})$$

$$V_{OUT} = V_{REF} \times (1 + R_F2/R_F1) + I_{ADJ} \times R_F2$$

## ABSOLUTE MAXIMUM RATINGS

CHARACTERISTIC	SYMBOL	VALUE	UNIT
Supply Voltage	$V_{IN}$	12	V
Operating Junction Temperature Range	$T_{opr}$	0 ~ 125	°C
Storage Temperature Range	$T_{stg}$	-65 ~ 150	°C
Thermal Resistance Junction to Case TO-263	$T_{jc}$	3	C/W
Thermal Resistance Junction to Ambient TO-263	$T_{ja}$	60	C/W
Lead Temperature (Soldering) 10 sec.	$T_{sol}$	300	°C
Maximum Output Current	$I_{max}$	5	A

ELECTRICAL CHARACTERISTICS  $I_{OUT}=100mA$ ,  $T_A=25^\circ C$ , unless otherwise specified.

PARAMETER	TEST CONDITIONS	MIN	TYP	MAX	UNIT
<b>1.5V Version</b>					
Output Voltage	$0 < I_{OUT} < 5A$ , $3.3V < V_{IN}$	1.470	1.5	1.530	V
<b>1.8V Version</b>					
Output Voltage	$0 < I_{OUT} < 5A$ , $3.75V < V_{IN}$	1.764	1.8	1.836	V
<b>2.5V Version</b>					
Output Voltage	$0 < I_{OUT} < 5A$ , $4.0V < V_{IN}$	2.450	2.5	2.550	V
<b>3.3V Version</b>					
Output Voltage	$0 < I_{OUT} < 5A$ , $4.8V < V_{IN}$	3.234	3.3	3.366	V
<b>5.0V Version</b>					
Output Voltage	$0 < I_{OUT} < 5A$ , $6.5V < V_{IN}$	4.900	5	5.100	V
<b>All Voltage Options</b>					
Reference Voltage ( $V_{REF}$ ) <sup>Note 1</sup>	$V_{IN} = 5V$ , $I_{LOAD} = 10mA$	1.238	1.25	1.262	V
	$1.5V \leq (V_{IN} - V_{OUT}) \leq 10V$ , $10mA \leq I_{OUT} \leq 5A$	1.225	1.25	1.275	
Min. Load Current	$V_{IN} = 5V$ , $V_{ADJ} = 0V$		3	7	mA
Line Regulation <sup>Note 1</sup>	$1.5V \leq V_{IN} - V_{OUT} \leq 10V$ , $I_{OUT} = 10mA$ , $T_J = 25^\circ C$		0.04	0.2	%
Load Regulation <sup>Note 1</sup>	$10mA \leq I_{OUT} \leq 5A$ , $V_{IN} - V_{OUT} = 1.5V$ , $T_J = 25^\circ C$		0.2	0.4	%
Dropout Voltage <sup>Note 1,3</sup>	$\Delta V_{REF} = 1\%$ , $I_{OUT} = 5A$		1.3	1.5	V
Current Limit $I_{OUT}(MAX)$	$V_{IN} - V_{OUT} = 1.5V$	5	6.5		A
	$1.4V \leq (V_{IN} - V_{OUT})$ Adjustable Only				
Ground Pin Current	$10mA \leq I_{OUT} \leq 5A$ , $V_{IN} - V_{OUT} = 1.5V$ , $T_J = 25^\circ C$		7	10	mA
Audust Pin Current	$1.5V \leq V_{IN} - V_{OUT} \leq 10V$ , $I_{OUT} = 10mA$ , $T_J = 25^\circ C$		0.003		uA
Ripple Rejection <sup>Note 2</sup>	$V_{IN} - V_{OUT} = 3V$ , $I_{OUT} = 5A$	60	72		dB
Temperature Coefficient	$V_{IN} - V_{OUT} = 1.5V$ , $I_{OUT} = 10mA$		0.005	3	%/°C

## Notes :

- 1 : Low duty pulse testing with Kelvin connections required.
- 2 : 120Hz input ripple ( $C_{ADJ}$  for ADJ = 25uF,  $C_{out} = 25uF$ )
- 3 :  $\Delta V_{OUT}$ ,  $\Delta V_{REF} = 1\%$

TYPICAL PERFORMANCE CHARACTERISTICS

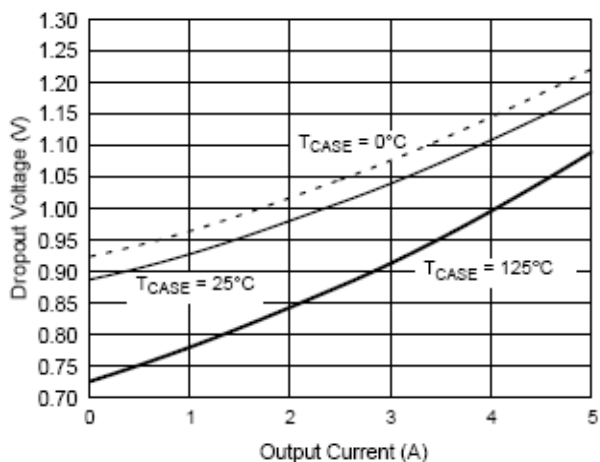


Figure 1. Dropout Voltage vs Output Current

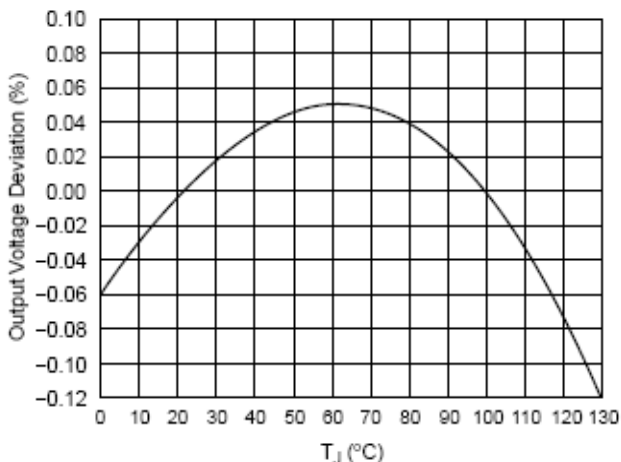


Figure 2. Reference Voltage vs Temperature

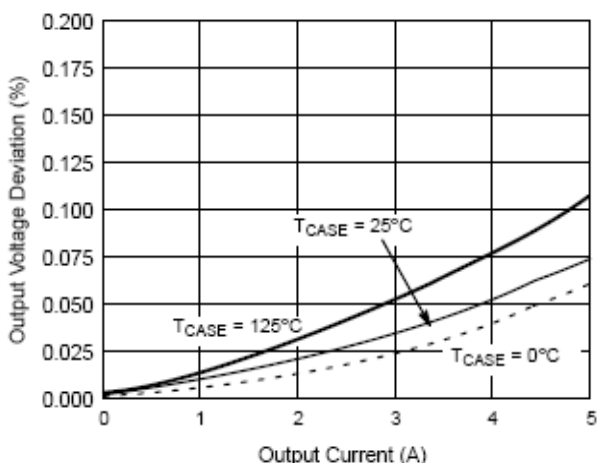


Figure 3. Load Regulation vs. Output Current

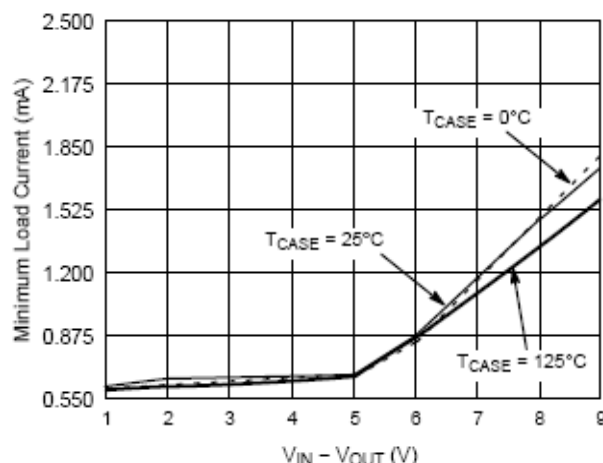


Figure 4. Minimum Load Current

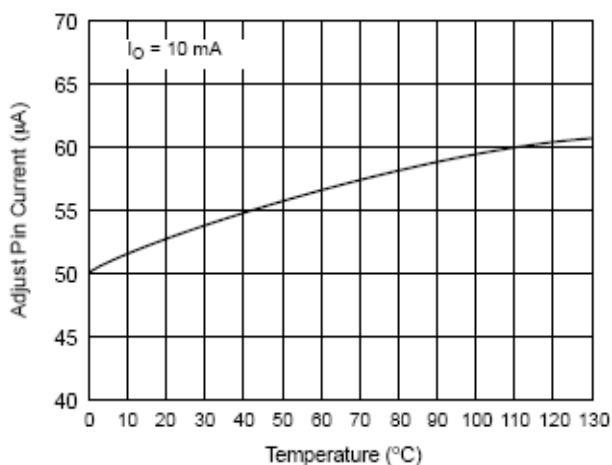


Figure 5. Adjust Pin Current vs Temperature

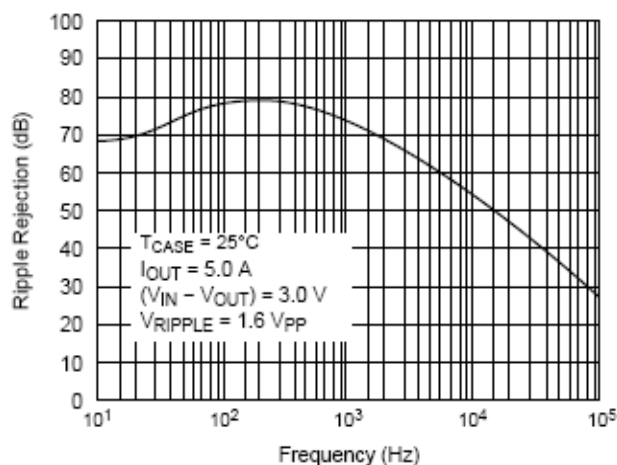


Figure 6. Ripple Rejection vs. Frequency (Fixed Versions)

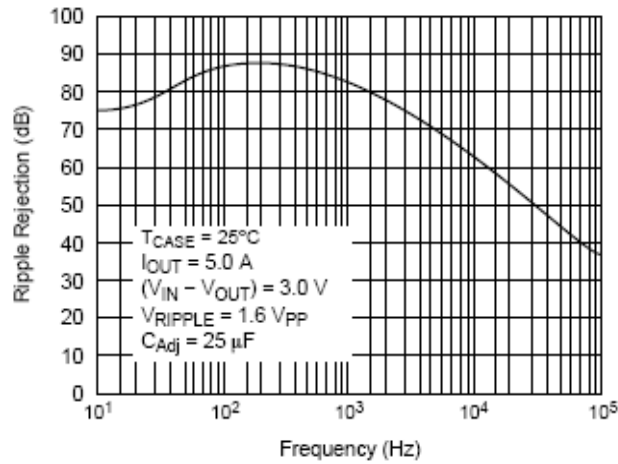


Figure 7. Ripple Rejection vs. Frequency (Adjustable Versions)

APPLICATIONS INFORMATION

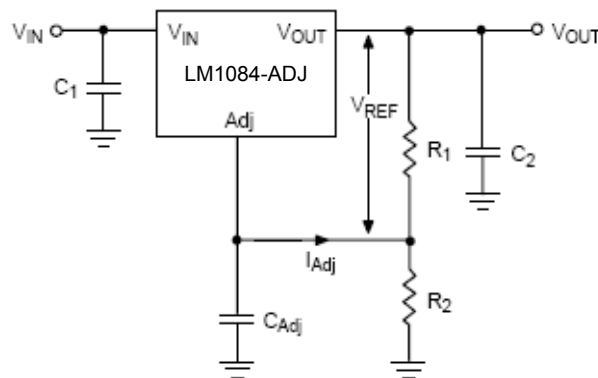


Figure 8. Resistor Divider Scheme for the Adjustable Version

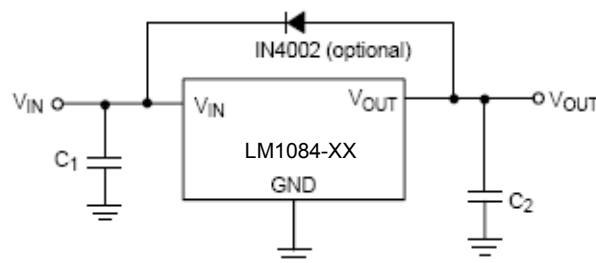


Figure 9. Protection Diode Scheme for Fixed Output Regulators

## APPLICATION INFORMATION

The LM1084 series of adjustable and fixed regulators are easy to use and have all the protection features expected in high performance voltage regulators : short circuit protection and thermal shut-down.

Pin compatible with older three terminal adjustable regulators, these devices offer the advantage of a lower dropout voltage, more precise reference tolerance and improved reference stability with temperature.

## STABILITY

The circuit design used in the LM1084 series requires the use of an output capacitor as part of the device frequency compensation.

The addition of 150uF aluminum electrolytic or a 22uF solid tantalum on the output will ensure stability for all operating conditions. When the adjustment terminal is bypassed with a capacitor to improve the ripple rejection, the requirement for an output capacitor increases. The value of 22uF tantalum or 150uF aluminum covers all cases of bypassing the adjustment terminal. Without bypassing the adjustment terminal smaller capacitors can be used with equally good results.

To ensure good transient response with heavy load current changes capacitor values on the order of 100uF are used in the output of many regulators. To further improve stability and transient response of these devices larger values of output capacitor can be used.

## PROTECTION DIODES

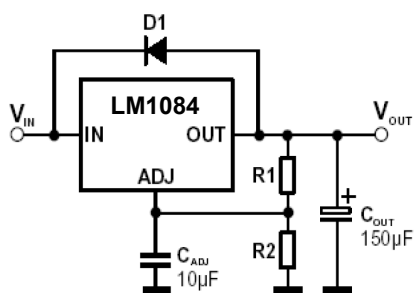


Figure 10.

Unlike older regulators, the LM1084 family does not need any protection diodes between the adjustment pin and the output and from the output to the input to prevent over-stressing the die.

Internal resistors are limiting the internal current paths on the LM1084 adjustment pin, therefore even with capacitors on the adjustment pin no protection diode is needed to ensure device safety under short-circuit conditions.

Diodes between the input and output are not usually needed.

Microsecond surge currents of 50A to 100A can be handled by the internal diode between the input and output pins of the device. In normal operations it is difficult to get those values of surge currents even with the use of large output capacitances. If high value output capacitors are used, such as 1000uF to 5000uF and the input pin is instantaneously shorted to ground, damage can occur. A diode from output to input is recommended, when a crowbar circuit at the input of the LM1084 is used. Normal power supply cycling or even plugging and unplugging in the system will not generate current large enough to do any damage.

The adjustment pin can be driven on a transient basis  $\pm 25V$ , with respect to the output without any device degradation. As with any IC regulator, none the protection circuitry will be functional and the internal transistors will break down if the maximum input to output voltage differential is exceeded.

**RIPPLE REJECTION**

The ripple rejection values are measured with the adjustment pin bypassed. The impedance of the adjust pin capacitor at the ripple frequency should be less than the value of R1 (normally 100Ω to 120Ω) for a proper bypassing and ripple rejection approaching the values shown. The size of the required adjust pin capacitor is a function of the input ripple frequency. If R1=100Ω at 120Hz the adjust pin capacitor should be 25uF. At 100kHz only 0.22uF is needed.

The ripple rejection will be a function of output voltage, in circuits without an adjust pin bypass capacitor. The output ripple will increase directly as a ratio of the output voltage to the reference voltage ( $V_{OUT}/V_{REF}$ )

**OUTPUT VOLTAGE**

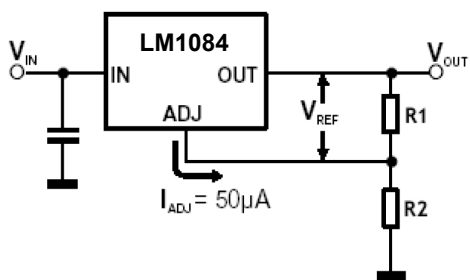


Figure 11.

The LM1084 series develops a 1.25V reference voltage between the output and the adjust terminal. Placing a resistor between these two terminals causes a constant current to flow through R1 and down through R2 to set the overall output voltage.

This current is normally the specified minimum load current of 10mA. Because I<sub>ADJ</sub> is very small and constant it represents a small error and it can usually be ignored.

**LOAD REGULATION**

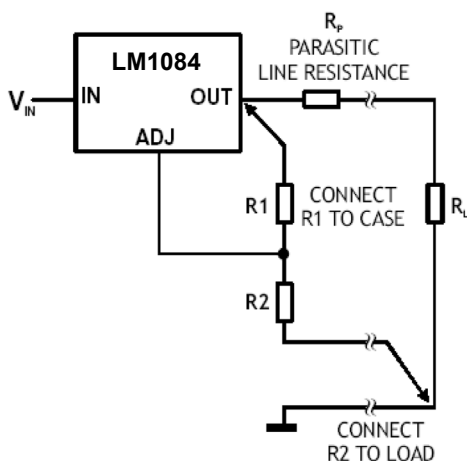


Figure 12.

True remote sheet specification it is not possible to provide, because the LM1084 is a three terminal device.

The resistance of the wire connecting the regulator to the load will limit the load regulation.

The data sheet specification for load regulation is measured at the bottom of the package. Negative side sensing is a true Kelvin connection, with the bottom of the output divider returned to the negative side of the load.

The best load regulation is obtained when the top of the resistor divider R1 is connected directly to the case not to the load. If R1 were connected to the load, the effective resistance between the regulator and the load would be:

$$[R_p \times (R_2 + R_1)] / R_1, R_p = \text{Parasitic Line Resistance}$$

Connected as shown Figure.12  $R_p$  is not multiplied by the divider ratio. Using 16-gauge wire the parasitic line resistance is about 0.004Ω per foot, translating to 4mV/ft at 1A load current.

**THERMAL CONSIDERATIONS**

The LM1084 series have internal power and thermal limiting circuitry designed to protect the device under overload conditions. However maximum junction temperature ratings should not be exceeded under continuous normal load conditions.

Careful consideration must be given to all sources of thermal resistance from junction to ambient, including junction-to-case, case-to-heat sink interface and heat sink resistance itself. To ensure safe operating temperatures and reflect more accurately the device temperature, new thermal resistance specifications have been developed. Unlike older regulators with a single junction-to-case thermal resistance specification, the data section for these new regulators provides a separate thermal resistance and maximum junction temperature for both the Control Section and the Power Transistor. Calculations for both temperatures under certain conditions of ambient temperature and heat sink resistance and to ensure that both thermal limits are met.

Junction-to-case thermal resistance is specified from the IC junction to the bottom of the case directly below the die. This is the lowest resistance path for the heat flow. In order to ensure the best possible thermal flow from this area of the package to the heat sink proper mounting is required. Thermal compound at the case-to-heat sink interface is recommended. A thermally conductive spacer can be used, if the case of the device must be electrically isolated, but its added contribution to thermal resistance has to be considered.