



Z8604

NMOS Z8 8-BIT MICROCONTROLLER

FEATURES

- 8-bit NMOS Microcomputer, 18-pin DIP
- Low Cost
- 4.5 to 5.5 Volt Operating Range
- Low Power Consumption—600 mW (typical)
- Fast instruction pointer—1.5 microseconds at 8MHz
- 14 input/output lines
- All inputs are Schmitt triggered
- 1K byte of ROM
- Two programmable 8-bit Counter/Timers each with 6-bit programmable prescaler
- 6 vectored, priority interrupts from 5 different sources
- Clock speed 1 to 8MHz
- Watchdog/Power-On Reset Timer
- Bit Programmable RC Oscillator
- On-chip oscillator that accepts a crystal, ceramic resonator, RC or external clock drive.

GENERAL DESCRIPTION

The Z8604 microcontroller (MCU) introduces a new level of sophistication to single-chip architecture. The Z8604 is a member of the Z8 single-chip microcontroller family with 1K of ROM. The device is housed in a 18-pin DIP, and is NMOS compatible. Zilog's NMOS microcontroller offers fast execution, more efficient use of memory, more sophisticated interrupts, input/output bit manipulation capabilities, and easy hardware/software system expansion along with low cost and low power consumption.

The Z8604 architecture is characterized by Zilog's 8-bit microcontroller core. The MCU offers a flexible I/O scheme, an efficient register, I/O, and a number of ancillary features that are useful in many industrial, high volume, peripheral types, and advanced scientific applications.

The device applications demand powerful I/O capabilities. The MCU fulfills this with 14 pins dedicated to input and output. These lines are grouped into two ports, and are configurable under software control to provide timing, status signals, or parallel I/O.

There are two basic address spaces available to support the wide range of configurations: Program Memory and 76 bytes of General Purpose Registers.

To unburden the program from coping with the real-time problems such as counting/timing and input/output data communication, the Z8604 offers two on-chip counter/timers with a large number of user selectable modes (Figure 1).

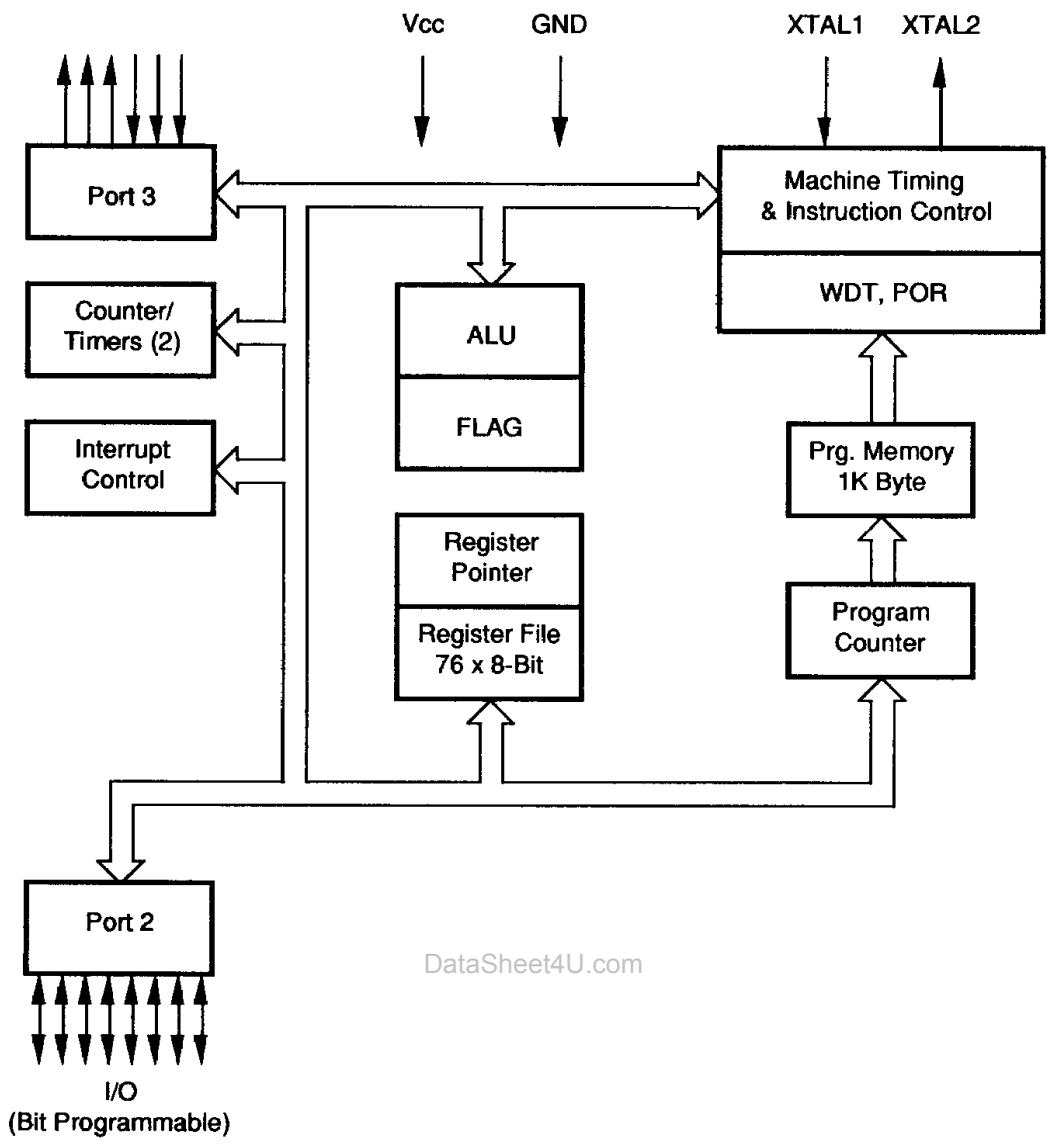


Figure 1. Functional Block Diagram

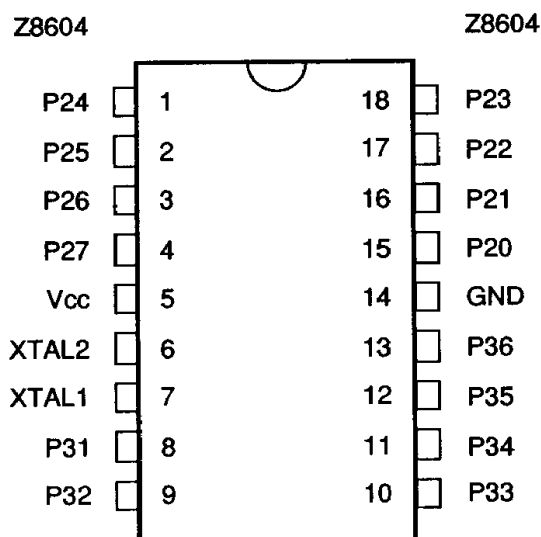


Figure 2. Pin Configuration

PIN DESCRIPTION

Table 1. Pin Description

Pin #	Symbol	Function	Direction
1-4	P24-7	Port 2 pin 4,5,6,7	In/Output
5	Vcc	Power Supply	Input
6	XTAL2	Crystal Oscillator Clock	Output
7	XTAL1	Crystal Oscillator Clock	Input
8-10	P31-3	Port 3 pin 1,2,3	Fixed Input
11-13	P34-6	Port 3 pin 4,5,6	Fixed Output
14	GND	Ground, V_{ss}	Input
15-18	P20-3	Port 2 pin 0,1,2,3	In/Output

PIN FUNCTIONS

XTAL1. *Crystal 1* (time-based input).

This pin connects a parallel-resonant crystal, ceramic resonator or an external single-phase clock to the on-chip oscillator input.

XTAL2. *Crystal 2* (time-based output).

This pin connects a parallel-resonant crystal, ceramic resonator to the on-chip oscillator output.

Port 2 P20-P27. Port 2 is an 8-bit, bidirectional, NMOS compatible I/O port. These 8 I/O lines can be configured under software control to be an input or output, independently. Input buffers are Schmitt triggered. Bits programmed as outputs are globally programmed as either push-pull or open drain (Figure 3).

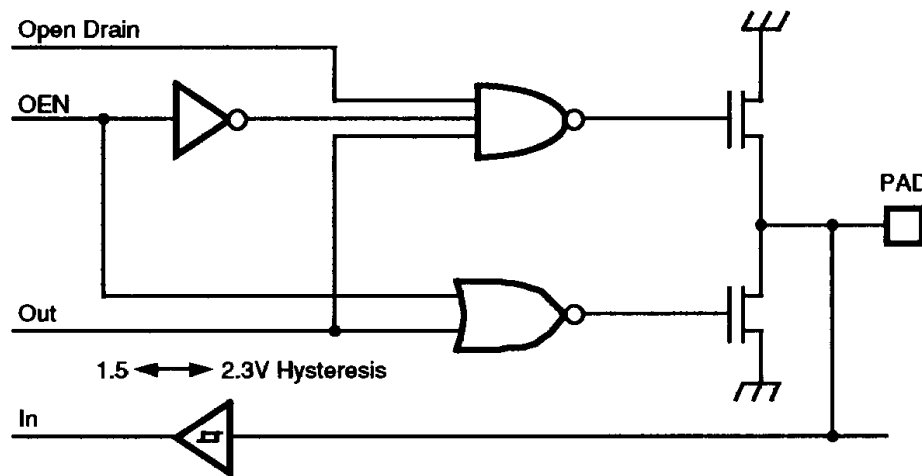
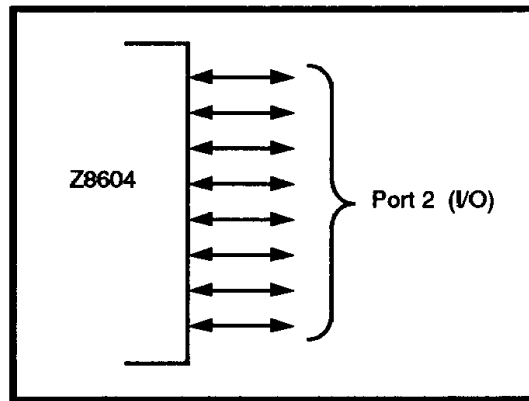


Figure 3. Port 2 Configuration

Port 3 P31-P36. Port 3 is a 6-bit port, NMOS compatible with three fixed input and three fixed output lines. These six lines consist of three fixed input (P31-P33) and three fixed output port (P34-P36) lines. Pins P31, P32 and P33 are

standard Schmitt triggered NMOS inputs. Pins P34, P35, and P36 are push-pull outputs. Access to counter/timer 1 is made through P31 (Tin) and P36 (Tout) (Figure 4).

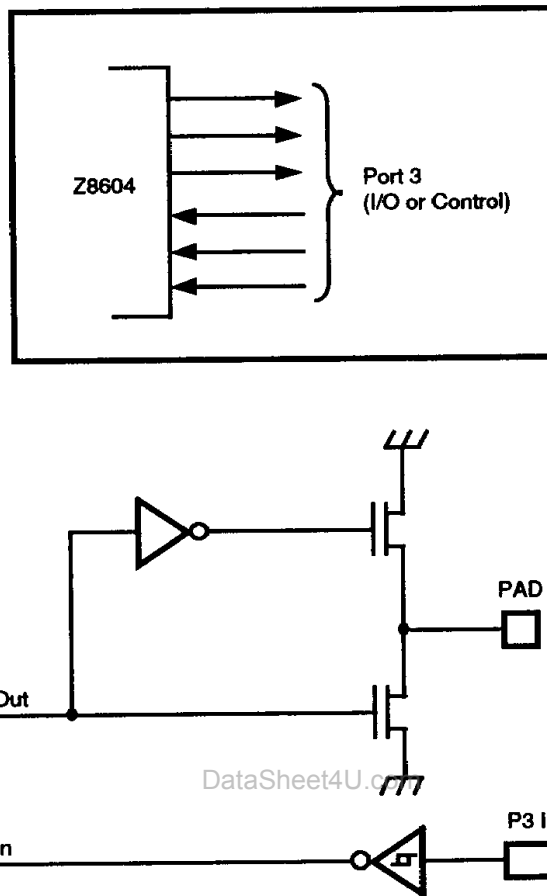


Figure 4. Port 3 Configuration

FUNCTIONAL DESCRIPTION

The Z8MCU incorporates special functions to enhance the Z8's application in industrial, scientific research and advanced technologies applications.

Reset

The device resets in one of the following conditions:

- Power-On Reset
- Watch-Dog Timer

Program Memory

The Z8604 can address up to 1K byte of internal program memory (Figure 5). This 1K byte Program Memory is mask programmable. The first 12 bytes of program memory are reserved for the interrupt vectors. These locations contain six 16-bit vectors that correspond to the six available interrupts. Byte 13 to byte 1024 consists of on-chip mask-programmed ROM.

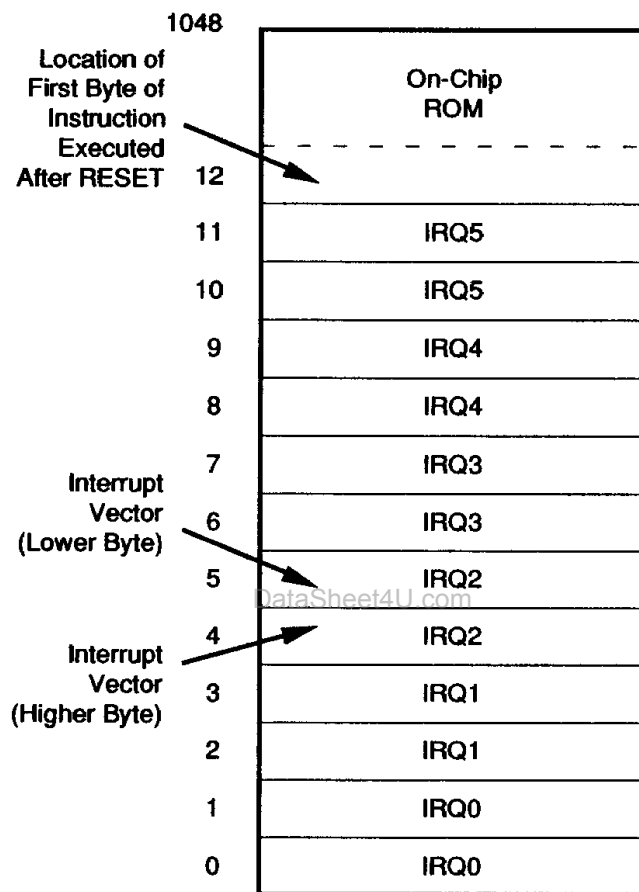


Figure 5. Program Memory Map

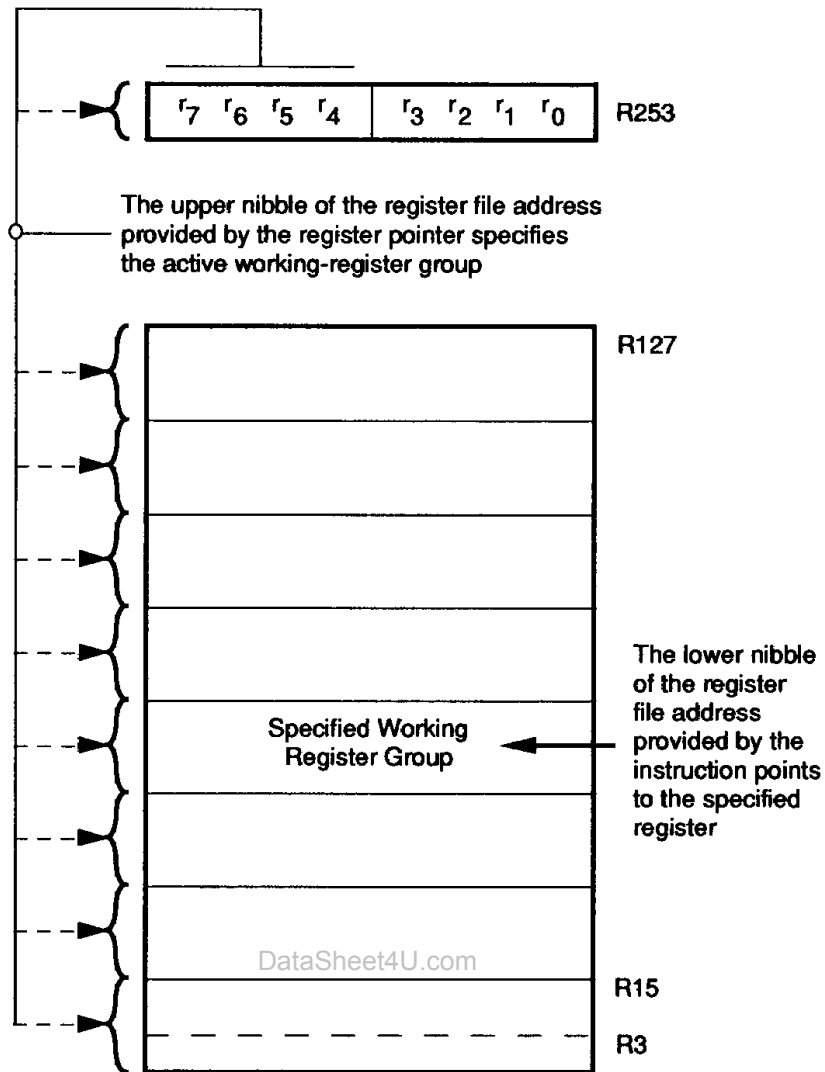
Register File

The Register File consists of two I/O port registers, 76 general-purpose registers and 15 control and status registers (Figure 6). The instructions can access registers directly or indirectly via an 8-bit address field. This allows a short 4-bit register address using the Register Pointer

(Figure 7). In the 4-bit mode, the Register File is divided into 16 working register groups, each occupying 16 continuous locations. The Register Pointer addresses the starting location of the active working-register group.

Location		Identifiers
255	Stack Pointer (Bits 7-0)	SPL
254	General Purpose Register (3 bits)	GPR
253	Register Pointer	RP
252	Program Control Flags	Flags
251	Interrupt Mask Register	IMR
250	Interrupt Request Register	IRQ
249	Interrupt Priority Register	IPR
248	Ports 0-1 Mode	P01M
247	Port 3 Mode	P3M
246	Port 2 Mode	P2M
245	T0 Prescaler	PRE0
244	Timer/Counter 0	T0
243	T1 Prescaler	PRE1
242	Timer/Counter 1	T1
241	Timer Mode	TMR
240		Reserved
	Not Implemented	
79	General Purpose Registers	
4		
3	Port 3	P3
2	Port 2	P2
1		P1
0		P0

Figure 6. Register File

**Figure 7. Register Pointer**

Stack

The Z8604 has an 8-bit Stack Pointer (R255) that is used for the internal stack that resides within the 76 general purpose registers.

Table 1. Control Registers

Addr	Register	Reset Condition	D7	D6	D5	D4	D3	D2	D1	D0	Comments
F0		Not Implemented									
F1	TMR	Unchanged	0	0	0	0	0	0	0	0	
F2	Timer/CNTR1	Unchanged	U	U	U	U	U	U	U	U	
F3	PRE1	Unchanged	U	U	U	U	U	U	0	0	
F4	Timer/CNTR0	Unchanged	U	U	U	U	U	U	U	U	
F5	PRE0	Unchanged	U	U	U	U	U	U	U	0	
F6	Port 2 MDE	Unchanged	1	1	1	1	1	1	1	1	
F7	Port 3 MDE	X X X X X X X 0 D0: 0=P2 Open drain, 1=Push pull	U	U	U	U	U	U	U	0	
F8	Port 01 MDE	X X X 4 X 2 X X	U	U	U	0	U	1	U	U	Reserved
F9	IR Priority	Unchanged	U	U	U	U	U	U	U	U	
FA	IR Request	X X 5 4 3 2 1 0 D0=IRQ0=P32 Input D1=IRQ1=P33 Input D2=IRQ2=P31 Input D3=IRQ3=P32 Input Inverted D4=T0 D5=T1	U	U	0	0	0	0	0	0	IRQ3 is used for positive edge detection.
FB	IR Mask	Unchanged	0	U	U	U	U	U	U	U	
FC	Flags	Unchanged	U	U	U	U	U	U	U	U	
FD	RP	RP Bank	U	U	U	U	U	U	U	U	
FE	SPH	X X X X X 2 1 0	U	U	U	U	U	U	U	U	
FF	SPL	Unchanged	U	U	U	U	U	U	U	U	

Counter/Timers

There are two 8-bit programmable counter/timers (T0-T1), each driven by its own 6-bit programmable prescaler. The T1 prescaler is driven by internal or external clock sources,

however, the T0 prescaler is driven by the internal clock only (Figure 8).

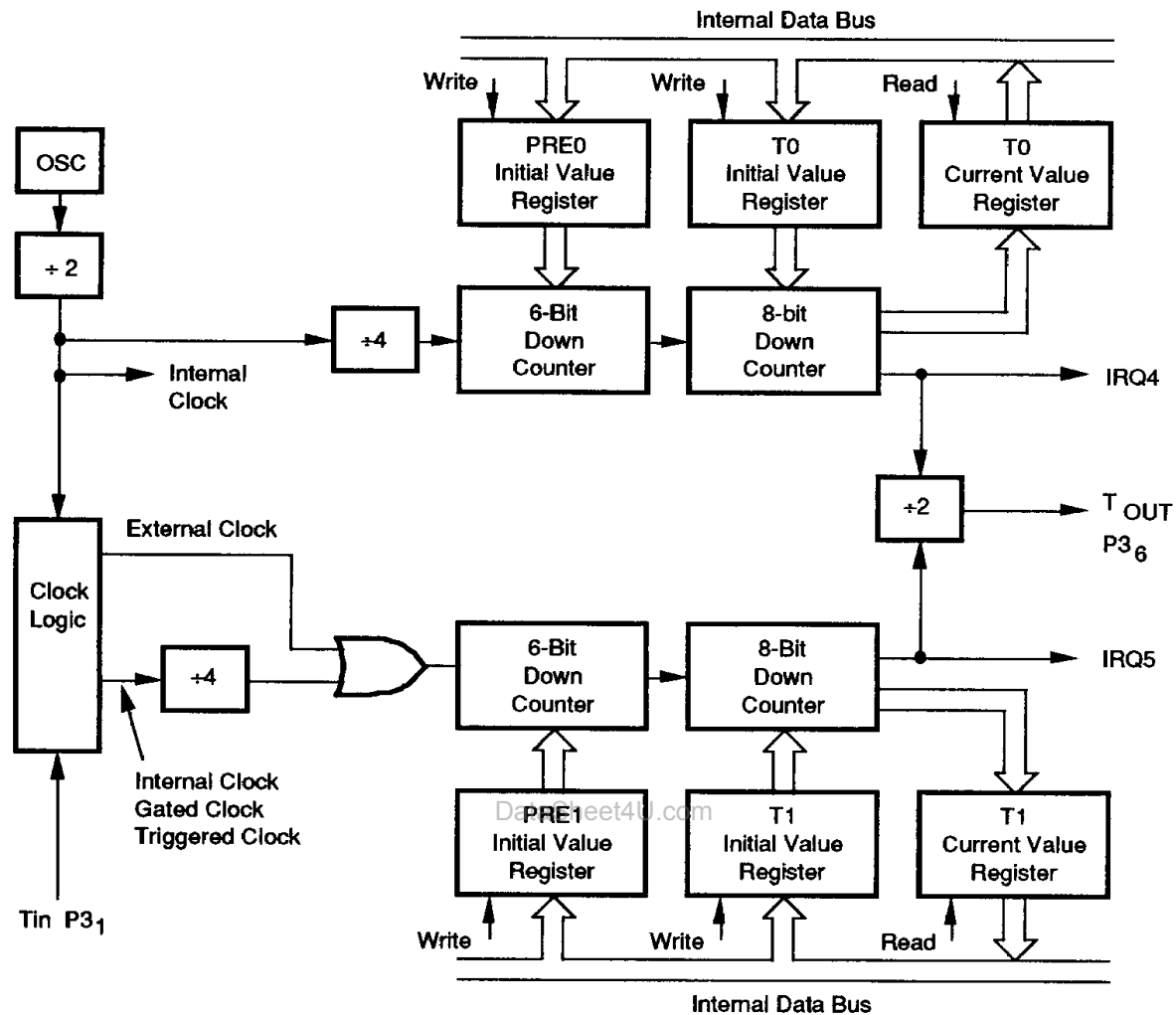


Figure 8. Counter/Timer Block Diagram

The 6-bit prescaler divides the input frequency of the clock source by any integer number from 1 to 64. Each prescaler drives its counter, which decrements the value (1 to 256) that has been loaded into the counter. When both the counter and prescaler reach the end of count, a timer interrupt request-IRQ4 (T0) or IRQ5 (T1) is generated.

The counters are programmed to start, stop, restart to continue, or restart from the initial value. The counters are also programmed to stop upon reaching zero (single pass mode) or to automatically reload the initial value and continue counting (modulo-n continuous mode).

The counters, but not the prescalers, are read at any time without disturbing their value or count mode. The clock source for T1 is user-definable and is either the internal microprocessor clock divided by four, or an external signal input via Port 3. The Timer Mode register configures the external timer input (P31) as an external clock, a trigger input that is retriggerable or not-retriggerable, or as a gate input for the internal clock. Port 3 line P36 serves as a timer output (TOUT) through which T0, T1 or the internal clock are output. The counter/timers can be cascaded by connecting the T0 output to the input of T1.

Interrupts

The Z8604 has six different interrupts from five different sources. The interrupts are maskable and prioritized (Figure 9). The five sources are divided as follow: three sources

are claimed by Port 3 lines P31-P33, and two in counter/timers. The Interrupt Mask Register globally or individually enables or disables the six interrupt requests, (Table 2).

Table 2. Interrupt Types, Sources and Vectors

Name	Source	Vector Location	Edge triggered	Comment
IRQ0	IRQ0	0,1	Falling	Ext (P32)
IRQ1	IRQ1	2,3	Falling	Ext (P33)
IRQ2	IRQ2, Tin	4,5	Falling	Ext (P31)
IRQ3		6,7	Rising	Ext (P32)
IRQ4	T0	8,9		Internal
IRQ5	T1	10,11		Internal

When more than one interrupt is pending, priorities are resolved by a programmable priority encoder that is controlled by the Interrupt Priority Register. All Z8604 interrupts are vectored through locations in the program memory. When an interrupt machine cycle is activated, an interrupt request is granted. Thus, this disables all subsequent interrupts, saves the Program Counter and Status Flags, and then branches to the program memory vector location reserved for that interrupt. This memory location

and the next byte contain the 16-bit starting address of the interrupt service routine for that particular interrupt request.

To accommodate polled interrupt systems, interrupt inputs are masked and the interrupt request register is polled. This determines which of the interrupt requests needs services.

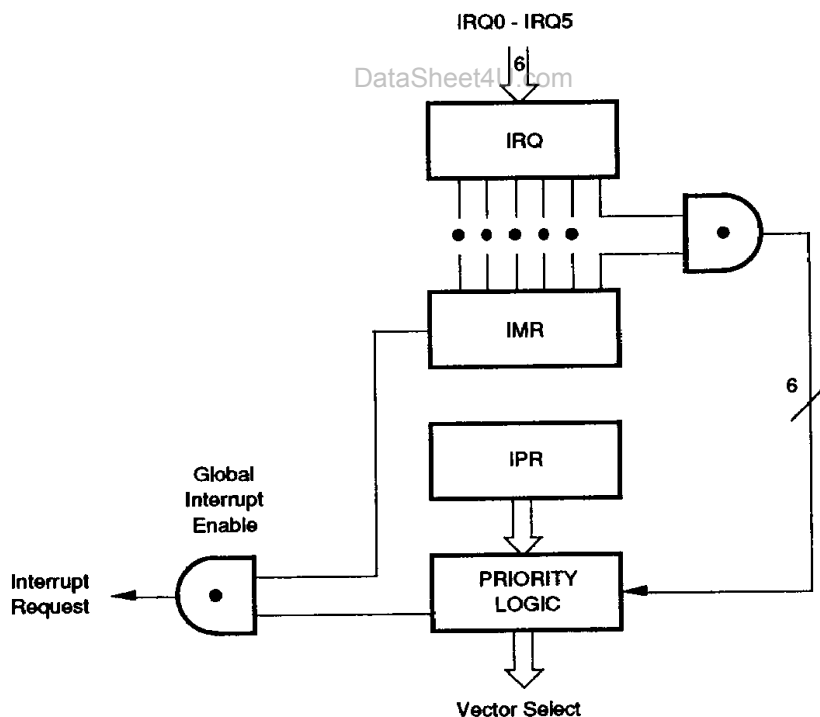


Figure 9. Interrupt Block Diagram

Clock

The Z8604 on-chip oscillator has a high-gain, parallel-resonant amplifier for connection to a crystal, RC, ceramic resonator, or any suitable external clock source (XTAL1 = Input, XTAL2 = Output). The crystal should be AT cut, 1 to 8 MHz max, with a series resistance (RS) less than or equal to 100 Ohms (Figure 10a).

The Z8604 has an on-chip bit programmable RC Oscillator. The RC oscillator uses an internal capacitor and an external resistor to determine its operation frequency. The

external resistor is connected between VCC and XTAL1. Resistor values range from 0 to 100K. By connecting XTAL1 to VCC the maximum frequency is obtained (Figure 10b).

The crystal should be connected across XTAL1 and XTAL2 using the recommended capacitors (capacitance is between 15pf to 25pf which depends on the manufacturer of crystal, ceramic resonator and PCB layout) from each pin to ground.

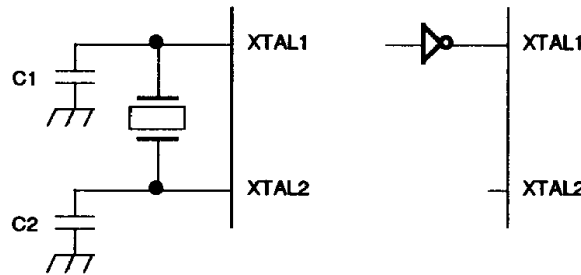


Figure 10a. Crystal Oscillator Configuration

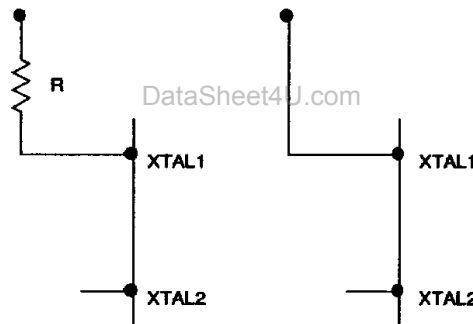


Figure 10b. RC Oscillator Configuration

Power-On Reset

A timer circuit clocked by a dedicated on-board RC oscillator and by the XTAL oscillator is used for the Power-On Reset (POR) timer function. The POR time allows Vcc and the oscillator circuit to stabilize before instruction execution begins. The POR timer circuit is a one-shot timer triggered by WDT timeout. The POR time is a nominal 40mS.

Watch Dog Timer (WDT). The WDT is enabled by instruction WDT. When the WDT is enabled, it cannot be stopped, and must be refreshed by executing the WDT

instruction every 10 ms; otherwise the Z8604 will reset itself.

WDT=5F (HEX)

Opcode WDT (5F%). The first time opcode %5F is executed, the WDT is enabled, subsequent execution clears the WDT counter. This has to be done at least every 10 ms. Otherwise, the WDT will time out and generate a reset. The generated reset is the same as a power on reset of 40 ms+18 XTALK clock cycles.

STANDARD TEST CONDITIONS

The characteristics listed below apply for standard test conditions as noted. All voltages are referenced to ground. Positive current flows into the referenced pin (Figure 11).

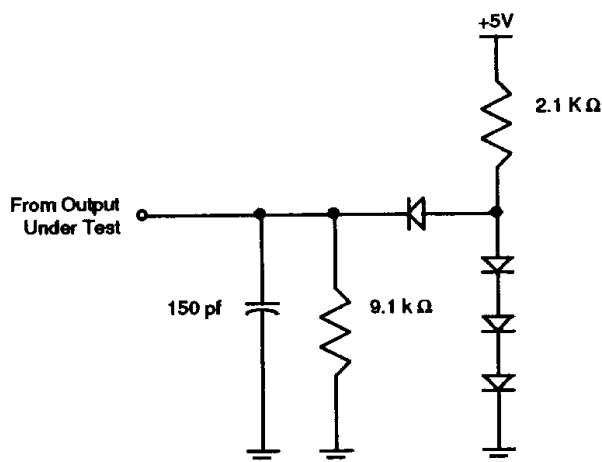


Figure 11. Test Load Diagram

ABSOLUTE MAXIMUM RATINGS

Symbol	Description	Min	Max	Units
V _{CC}	Supply Voltage*	-0.3	+7.0	V
TSTG	Storage Temp	-65	+150	C
TA	Oper Ambient Temp	†		C

† See Ordering Information

Note (*). Voltage on all pins with respect to GND. Stress greater than those listed under Absolute Maximum Ratings may cause permanent damage to the device. This is a stress rating only; operation of the device at any condition above those indicated in the operational sections of these specifications is not implied. Exposure to absolute maximum rating conditions for extended periods may affect device reliability.

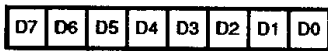
DC CHARACTERISTICS

V_{CC}=+4.5 to +5.5V

Sym	Parameter	TA=0°C to 70°C		Typ	Unit	Condition
		Min	Max			
V _{CH}	Clock Input High Voltage	3.8	V _{CC}		V	Driven by External Clock Generator
V _{CL}	Clock Input Low Voltage	V _{SS} -0.3	8.0		V	Driven by External Clock Generator
V _{IH}	Input High Voltage	2.75	V _{CC}		V	
V _{IL}	Input Low Voltage	0.3	1.5		V	
V _{OH}	Output High Voltage	2.4			V	I _{OH} = -250 μA
V _{OL}	Output Low Voltage	0.4			V	I _{OL} = +2.0 mA
I _{IL}	Input Leakage	-10	10		μA	V _{IN} = 0V, V _{CC}
I _{OL}	Output Leakage	-10	10		μA	V _{IN} = 0V, V _{CC}
I _{CC}	Supply Current		120		mA	

REGISTER DIAGRAMS

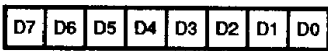
R 240



Reserved

Figure 12. Reserved

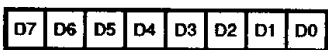
R241 TMR



- 0 = No Function
1 = Load T_0
- 0 = Disable T_0 Count
1 = Enable T_0 Count
- 0 = No Function
1 = Load T_1
- 0 = Disable T_1 Count
1 = Enable T_1 Count
- T_{IN} Modes
00 = External Clock Input
01 = Gate Input
10 = Trigger Input (Non-retriggerable)
11 = Trigger Input (Retriggerable)
- T_{OUT} Mode
00 = Not Used
01 = T_0 OUT
10 = T_1 OUT
11 = Internal Clock Input

Figure 13. Timer Mode Register (F1H; Read/Write)

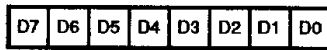
R242 T1



- T_1 Initial Value (When Written) (Range: 1-256 Decimal 01-00 HEX)
- T_1 Current Value (When READ)

Figure 14. Counter Timer 1 Register (F2H; Read/Write)

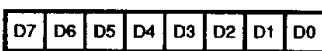
R243 PRE1



- Count Mode
0 = T_1 Single Pass
1 = T_1 Modulo N
- Clock Source
1 = T_1 Internal
0 = T_1 External Timing Input (T_{IN}) Mode
- Prescaler Modulo (Range: 1-64 Decimal 01-00 HEX)

Figure 15. Prescaler 1 Register (F3H; Write Only)

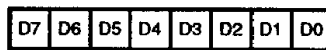
R244 T0



- T_0 Initial Value (When Written) (Range: 1-256 Decimal 01-00 HEX)
- T_0 Current Value (When READ)

Figure 16. Counter/Timer 0 Register (F4H; Read/Write)

R245 PRE0



- Count Mode
0 = T_0 Single Pass
1 = T_0 Modulo N
- X
- Prescaler Modulo (Range: 1-64 Decimal 01-00 HEX)

Figure 17. Prescaler 0 Register (F5H; Write Only)

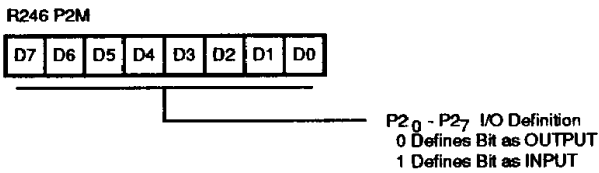


Figure 18. Port 2 Mode Register
(F6H; Write Only)

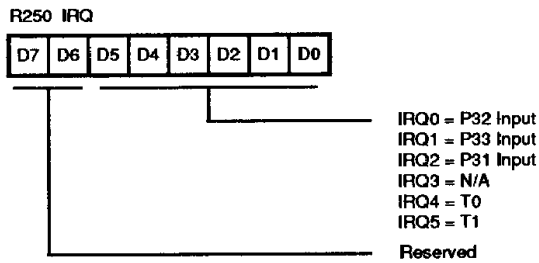


Figure 22. Interrupt Req Register
(FAH; Read/Write)

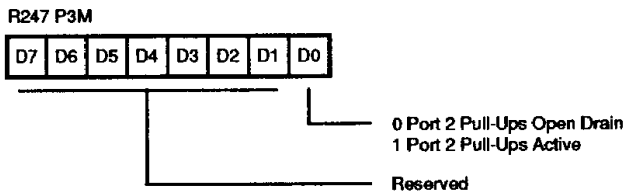


Figure 19. Port 3 Mode Register
(F7H; Write Only)

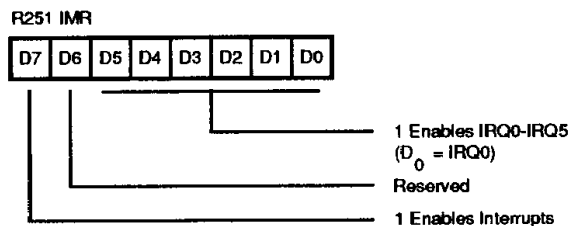


Figure 23. Interrupt Mask Register
(FBH; Read/Write)

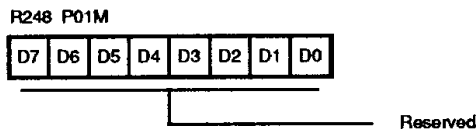


Figure 20. Port 0 and 1 Mode Register

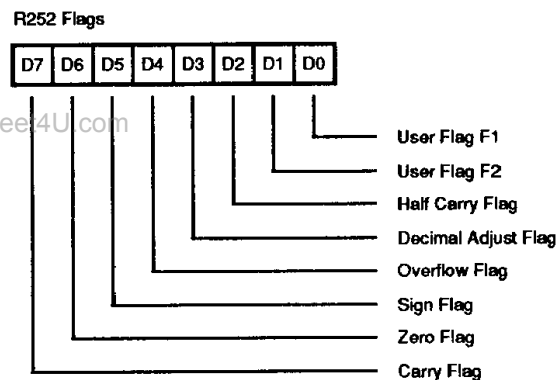


Figure 24. Flag Register
(FCH; Read/Write)

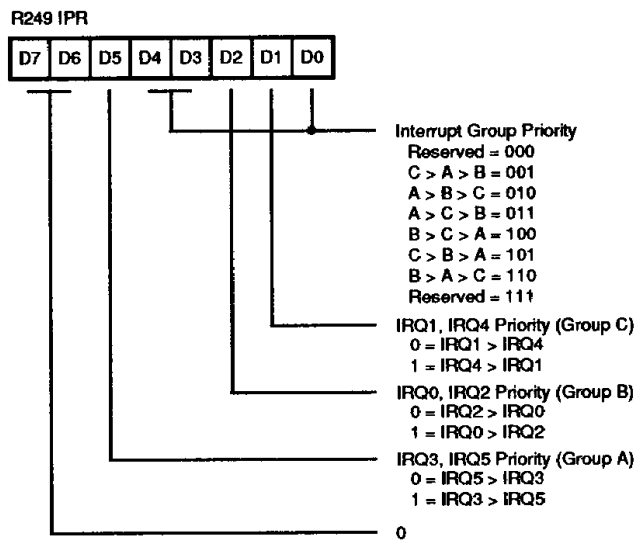


Figure 21. Interrupt Priority Register
(F9H; Write Only)

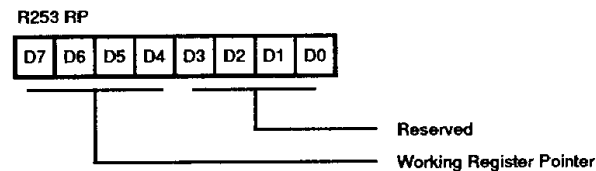


Figure 25. Register Pointer
(FDH; Read/Write)

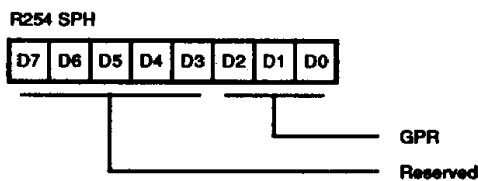


Figure 26. General Purpose Register
(FEH; Read/Write)

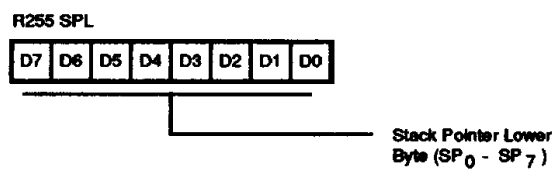


Figure 27. Stack Pointer
(FFH; Read/Write)

INSTRUCTION SET NOTATION

Addressing Modes. The following notation is used to describe the addressing modes and instruction operations as shown in the instruction summary.

Symbol Meaning

IRR	Indirect register pair or indirect working-register pair address
Irr	Indirect working-register pair only
X	Indexed Address
DA	Direct Address
RA	Relative Address
IM	Immediate
R	Register or working-register address
r	Working-register address only
IR	Indirect-Register or indirect working-register address
Ir	Indirect working-register address only
RR	Register pair or working register pair address

Flags. Control register (R252) contains the following six flags:

Symbol	Meaning
C	Carry flag
Z	Zero flag
S	Sign flag
V	Overflow flag
D	Decimal-adjust flag
H	Half-carry flag

Affected flags are indicated by:

0	Clear to zero
1	Set to one
*	Set to clear according to operation
-	Unaffected
x	Undefined

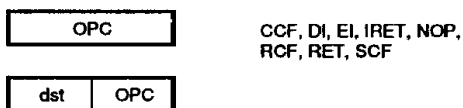
Symbols. The following symbols are used in describing the instruction set.

Symbol	Meaning
dst	Destination location or contents
src	Source location or contents
cc	Condition Code
@	Indirect address prefix
SP	Stack Pointer
PC	Program Counter
FLAGS	Flag register (Control Register 252)
RP	Register Pointer (R253)
IMR	Interrupt Mask Register (R251)

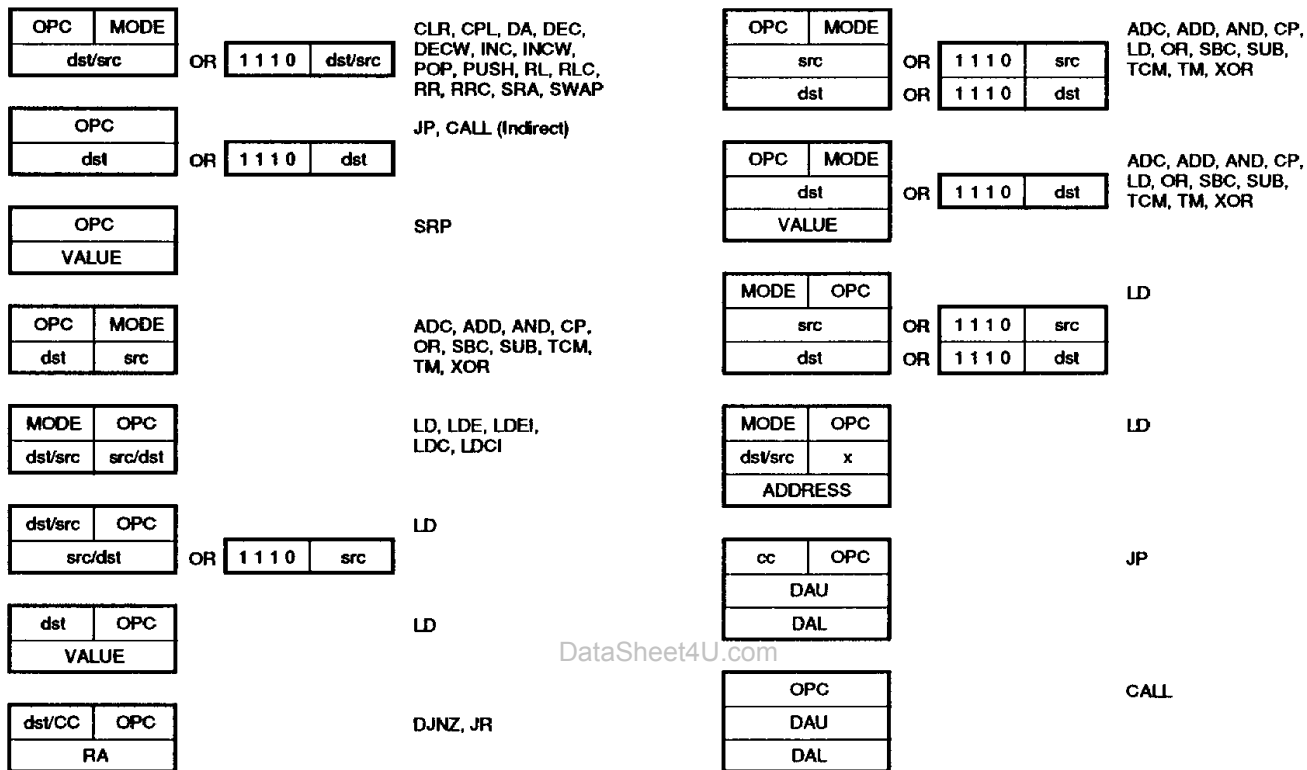
Table 3. Condition Codes

Value	Mnemonic	Meaning	Flags Set
1000		Always True	
0111	C	Carry	C = 1
1111	NC	No Carry	C = 0
0110	Z	Zero	Z = 1
1110	NZ	Not Zero	Z = 0
1101	PL	Plus	S = 0
0101	MI	Minus	S = 1
0100	OV	Overflow	V = 1
1100	NOV	No Overflow	V = 0
0110	EQ	Equal	Z = 1
1110	NE	Not Equal	Z = 0
1001	GE	Greater Than or Equal	(S XOR V) = 0
0001	LT	Less than	(S XOR V) = 1
1010	GT	Greater Than	[Z OR (S XOR V)] = 0
0010	LE	Less Than or Equal	[Z OR (S XOR V)] = 1
1111	UGE	Unsigned Greater Than or Equal	C = 0
0111	ULT	Unsigned Less Than	C = 1
1011	UGT	Unsigned Greater Than	(C = 0 AND Z = 0) = 1
0011	ULE	Unsigned Less Than or Equal	(C OR Z) = 1
0000		Never True	

INSTRUCTION FORMATS



One-Byte Instructions



Two-Byte Instructions

Three-Byte Instructions

INSTRUCTION SUMMARY

Note: Assignment of a value is indicated by the symbol "—". For example:

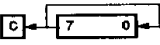
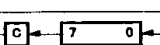
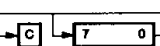
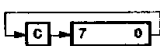
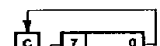
dst — dst + src

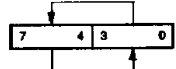
indicates that the source data is added to the destination data and the result is stored in the destination location. The notation "addr (n)" is used to refer to bit (n) of a given operand location.

INSTRUCTION SUMMARY (Continued)

Instruction and Operation	Address Mode		Opcode Byte (Hex)	Flags Affected						
	dst	src		C	Z	S	V	D	H	
ADC dst, src dst←dst + src + C	†		1[]	*	*	*	*	0	*	
ADD dst, src dst←dst + src	†		0[]	*	*	*	*	0	*	
AND dst, src dst←dst AND src	†		5[]	-	*	*	0	-	-	
CALL dst SP←SP - 2 @SP←PC, PC←dst	DA IRR		D6 D4	-	-	-	-	-	-	
CCF C←NOT C			EF	*	-	-	-	-	-	
CLR dst dst←0	R IR		B0 B1	-	-	-	-	-	-	
COM dst dst←NOT dst	R IR		60 61	-	*	*	0	-	-	
CP dst, src dst - src	†		A[]	*	*	*	*	-	-	
DA dst dst←DA dst	R IR		40 41	*	*	*	X	-	-	
DEC dst dst←dst - 1	R IR		00 01	-	*	*	*	-	-	
DECW dst dst←dst - 1	RR IR		80 81	-	*	*	*	-	-	
DI IMR(7)←0			8F	-	-	-	-	-	-	
DJNZ r, dst r←r - 1 if r ≠ 0 PC←PC + dst Range: +127, -128	RA		rA r = 0 - F	-	-	-	-	-	-	
EI IMR(7)←1			9F	-	-	-	-	-	-	
WDT			5F	-	-	-	-	-	-	
INC dst dst←dst + 1	r R IR		rE r = 0 - F 20 21	-	*	*	*	-	-	
INCW dst dst←dst + 1	RR IR		A0 A1	-	*	*	*	-	-	
IRET FLAGS←@SP; SP←SP + 1 PC←@SP; SP←SP + 2; IMR(7)←1			BF	*	*	*	*	*	*	
JP cc, dst if cc is true PC←dst	DA IRR		cD c = 0 - F 30	-	-	-	-	-	-	
JR cc, dst if cc is true, PC←PC + dst Range: +127, -128	RA		cB c = 0 - F	-	-	-	-	-	-	
LD dst, src dst←src	r r R R r X r r R R R IR IR R	Im R r	rC r8 r9 r = 0 - F C7 D7 E3 F3 E4 E5 E6 E7 F5	-	-	-	-	-	-	
LDC dst, src	r	lrr	C2	-	-	-	-	-	-	
LDCI dst, src r←r + 1; rr←rr + 1	lr	lrr	C3	-	-	-	-	-	-	

INSTRUCTION SUMMARY (Continued)

Instruction and Operation	Address Mode		Opcode Byte (Hex)	Flags Affected									
	dst	src		C	Z	S	V	D	H				
NOP			FF	-	-	-	-	-	-	-	-	-	-
OR dst, src dst ← dst OR src	†		4[]	-	*	*	0	-	-	-	-	-	-
POP dst dst ← @SP; SP ← SP + 1	R		50	-	-	-	-	-	-	-	-	-	-
	IR		51	-	-	-	-	-	-	-	-	-	-
PUSH src SP ← SP - 1; @SP ← src		R	70	-	-	-	-	-	-	-	-	-	-
		IR	71	-	-	-	-	-	-	-	-	-	-
RCF C ← 0			CF	0	-	-	-	-	-	-	-	-	-
RET PC ← @SP; SP ← SP + 2			AF	-	-	-	-	-	-	-	-	-	-
RL dst	R		90	*	*	*	*	-	-	-	-	-	-
	IR		91	*	*	*	*	-	-	-	-	-	-
													
RLC dst	R		10	*	*	*	*	-	-	-	-	-	-
	IR		11	*	*	*	*	-	-	-	-	-	-
													
RR dst	R		E0	*	*	*	*	-	-	-	-	-	-
	IR		E1	*	*	*	*	-	-	-	-	-	-
													
RRC dst	R		C0	*	*	*	*	-	-	-	-	-	-
	IR		C1	*	*	*	*	-	-	-	-	-	-
													
SBC dst, src dst ← dst ← src ← C	†		3[]	*	*	*	*	1	*	-	-	-	-
SCF C ← 1			DF	1	-	-	-	-	-	-	-	-	-
SRA dst	R		D0	*	*	*	0	-	-	-	-	-	-
	IR		D1	*	*	*	0	-	-	-	-	-	-
													

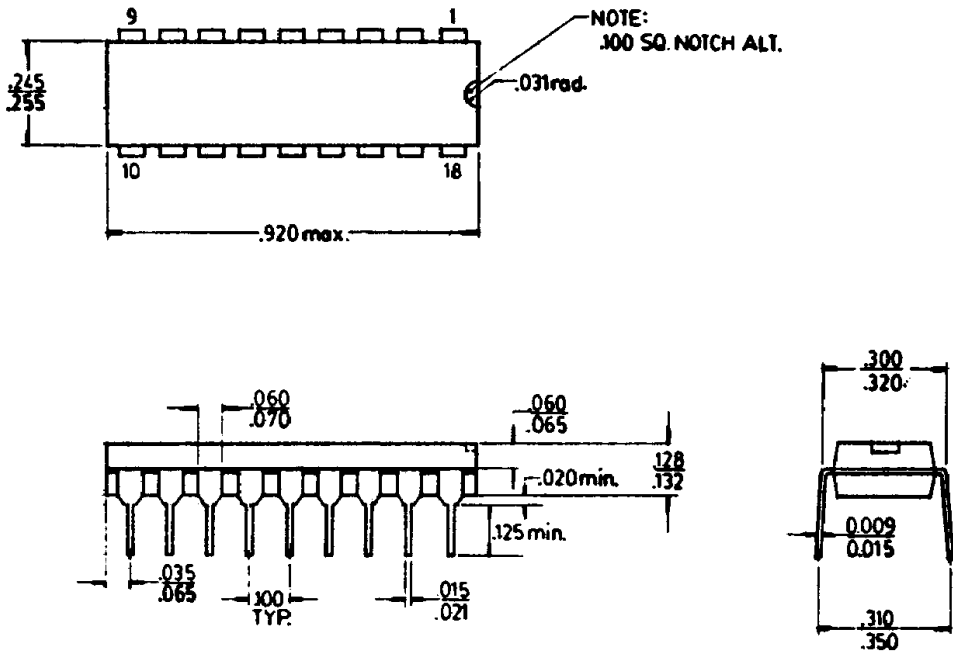
Instruction and Operation	Address Mode		Opcode Byte (Hex)	Flags Affected									
	dst	src		C	Z	S	V	D	H				
SRP src RP ← src		Im	31	-	-	-	-	-	-	-	-	-	-
SUB dst, src dst ← dst ← src	†		2[]	*	*	*	*	1	*	-	-	-	-
SWAP dst	R		F0	X	*	*	X	-	-	-	-	-	-
	IR		F1	X	*	*	X	-	-	-	-	-	-
													
TCM dst, src (NOT dst) AND src	†		6[]	-	*	*	0	-	-	-	-	-	-
TM dst, src dst AND src	†		7[]	-	*	*	0	-	-	-	-	-	-
XOR dst, src dst ← dst XOR src	†		B[]	-	*	*	0	-	-	-	-	-	-

† These instructions have an identical set of addressing modes, which are encoded for brevity. The first opcode nibble is found in the instruction set table above. The second nibble is expressed symbolically by a '[]' in this table, and its value is found in the following table to the left of the applicable addressing mode pair.

For example, the opcode of an ADC instruction using the addressing modes r (destination) and Ir (source) is 13.

Address Mode	dst	src	Lower Opcode Nibble
	r	r	[2]
	r	Ir	[3]
	R	R	[4]
	R	IR	[5]
	R	IM	[6]
	IR	IM	[7]

PACKAGE INFORMATION



18-Pin Plastic Package Diagram

DataSheet4U.com

et4U.com

DataShee

ORDERING INFORMATION

Z8604

8 MHz
Z0860408PSC

For fast results, contact your local Zilog sales office for assistance in ordering the part desired.

CODES

Package

- P = Plastic DIP
- V = Plastic Chip Carrier
- C = Ceramic DIP
- L = Ceramic LCC

Longer Lead Time

- F = Plastic Quad Flat Pack

Temperature

- E = -40°C to +100°C
- S = 0°C to +70°C

Speed

- 8 = 8 MHz

Environmental

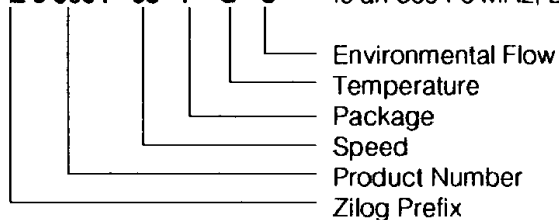
- C = Plastic Standard

DataSheet4U.com

DataShee

Example:

Z 0 8604 08 P S C Is an 8604 8 MHz, DIP, 0°C to +70°C, Plastic Standard Flow.



**ZILOG DOMESTIC SALES OFFICES
AND TECHNICAL CENTERS****CALIFORNIA**

Agoura 818-707-2160
 Campbell 408-370-8120
 Tustin 714-838-7800

COLORADO

Boulder 303-494-2905

FLORIDA

Largo 813-585-2533

GEORGIA

Norcross 404-448-9370

ILLINOIS

Schaumburg 708-517-8080

NEW HAMPSHIRE

Nashua 603-888-8590

NEW JERSEY

Clark 201-382-5700

NORTH CAROLINA

Raleigh 919-790-7706

OHIO

Seven Hills 216-447-1480

PENNSYLVANIA

Ambler 215-653-0230

TEXAS

Dallas 214-987-9987

WASHINGTON

Seattle 206-523-3591

INTERNATIONAL SALES OFFICES**CANADA**

Toronto 416-673-0634

GERMANY

Munich 49-89-672-045

JAPAN

Tokyo 81-3-587-0528

HONG KONG

Kowloon 852-723-8979

KOREA

Seoul 82-2-552-5401

SINGAPORE

Singapore 65-235-7155

TAIWAN

Taipei 886-2-741-3125

UNITED KINGDOM

Maidenhead 44-628-392-00

DataSheet4U.com

© 1990 by Zilog, Inc. All rights reserved. No part of this publication may be reproduced, stored in a retrieval system, or transmitted, in any form or by any means, electronic, mechanical, photocopying, recording, or otherwise, without the prior written permission of Zilog.

The information contained herein is subject to change without notice. Zilog will not be responsible for any such changes. Zilog will not be responsible for notifying any user of changes. Zilog assumes no responsibility for the use of any circuitry or other technology embodied in a Zilog product. No patent licenses, industrial property rights, or other rights are implied.

Zilog will not be responsible for any damage to the user that may result from accidents or any other reasons during operations of the products described herein.

All specifications (parameters) are subject to change without notice. Zilog will not be responsible for any such changes. Zilog will not be responsible for notifying any user of changes. The applicable Zilog test documentation will specify which parameters are tested.

Zilog, Inc. 210 Hacienda Ave., Campbell, CA 95008-6609 Telephone (408) 370-8000 TWX 910-338-7621

24

DC-2524-02

018052 ✓ G