

PLEASE CHECK WWW.MOLEX.COM FOR LATEST PART INFORMATION

Part Number: **0857801005**
Status: **Active**
Overview: magnetic modular jacks
Description: HyperJack 1000 2x6 Modular Jack LED NonPOE

Documents:

[3D Model](#) [Product Specification PS-85780-001 \(PDF\)](#)
[Packaging Specification \(PDF\)](#) [RoHS Certificate of Compliance \(PDF\)](#)
[Drawing \(PDF\)](#)

General

Product Family	Modular Jacks/Plugs
Series	<u>85780</u>
Component Type	Wire Jack
Magnetic	Yes
Overview	<u>magnetic modular jacks</u>
Performance Category	5e
Power over Ethernet (PoE)	Non-PoE
Product Name	HyperJack™

Physical

Boot Color	N/A
Color - Resin	Black
Durability (mating cycles max)	750
Inverted / Top Latch	N/A
Lightpipes/LEDs	LEDs
Material - Metal	Brass, Phosphor Bronze
Material - Plating Mating	Gold
Material - Plating Termination	Tin
Material - Resin	Thermoplastic Polyurethane
Orientation	Right Angle (Side Entry)
PCB Locator	Yes
PCB Retention	Yes
Packaging Type	Tray
Pitch - Mating Interface (in)	0.040 In
Pitch - Mating Interface (mm)	1.02 mm
Pitch - Term. Interface (in)	0.040 In
Pitch - Term. Interface (mm)	1.02 mm
Plating min: Mating (µin)	30
Plating min: Mating (µm)	0.76
Plating min: Termination (µin)	50.8
Plating min: Termination (µm)	1.27
Ports	12
Positions / Loaded Contacts	8/8
Surface Mount Compatible (SMC)	No
Temperature Range - Operating	0°C to +70°C
Termination Interface: Style	Through Hole
Waterproof / Dustproof	No
Wire/Cable Type	CAT 5, CAT 6, Round

Electrical

Current - Maximum per Contact	1.5A
Grounding to Panel	N/A
Shielded	Yes
Voltage - Maximum	125V AC (RMS)



EU RoHS

**ELV and RoHS
Compliant**

REACH SVHC

Not Reviewed

Halogen-Free

Status

Not Reviewed

China RoHS



**Need more information on product
environmental compliance?**

Email productcompliance@molex.com
 For a multiple part number RoHS Certificate of
 Compliance, [click here](#)

Please visit the [Contact Us](#) section for any
 non-product compliance questions.

Search Parts in this Series

85780Series

Mates With

FCC 68 Jacks 85568 , 95043 , 90075

Material Info

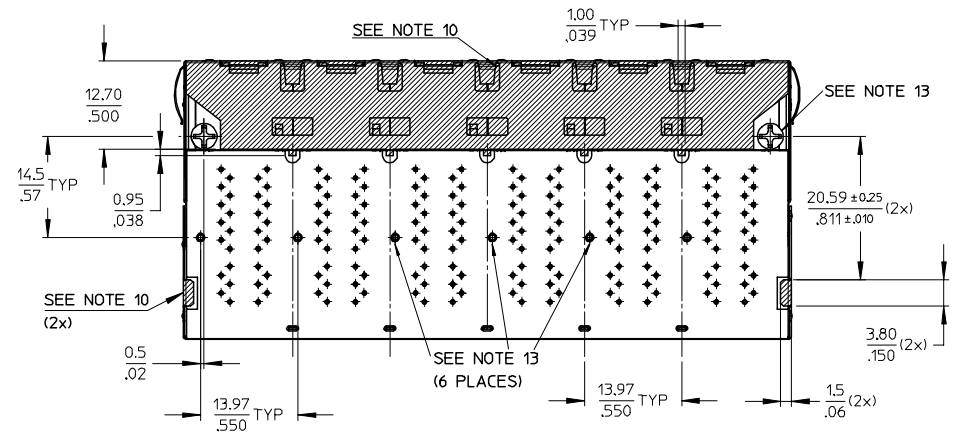
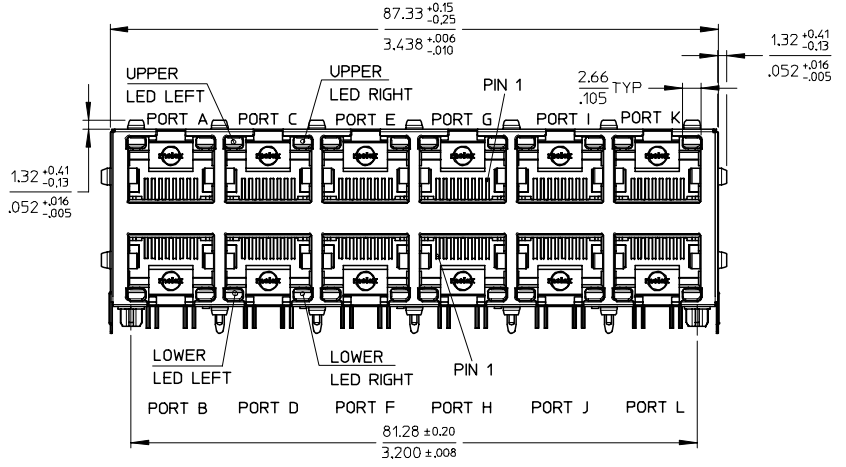
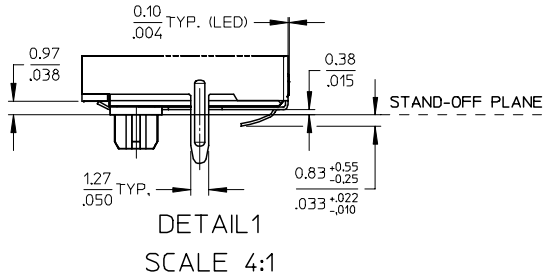
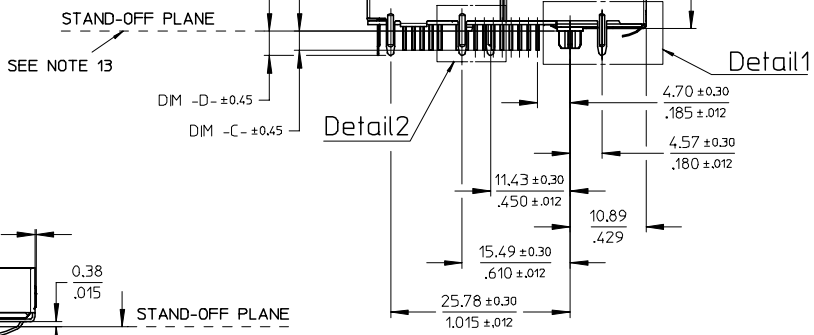
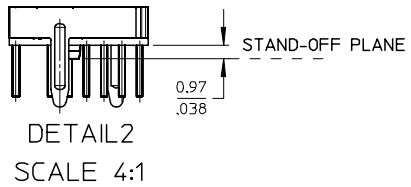
Reference - Drawing Numbers

Packaging Specification	PK-85780-001
Product Specification	PS-85780-001
Sales Drawing	SD-85780-002

This document was generated on 05/28/2010

PLEASE CHECK WWW.MOLEX.COM FOR LATEST PART INFORMATION

13 12 11 10 9 8 7 6 5 4 3 2 1



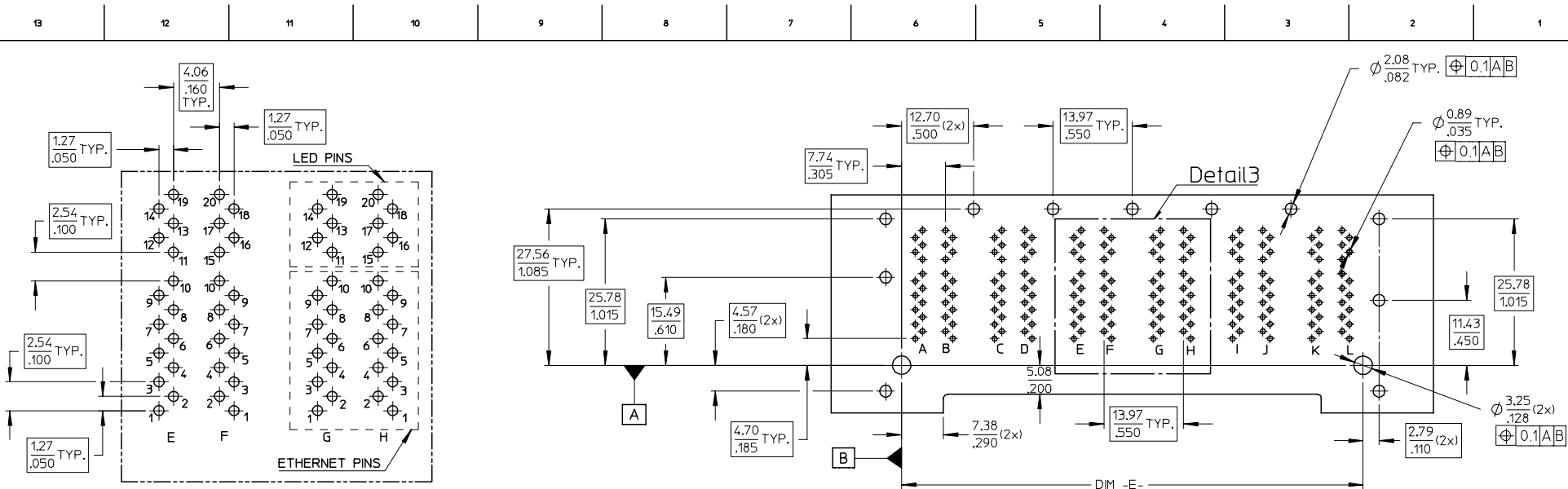
MATERIAL NUMBER	NUMBERS OF PORTS	DIM -C-	DIM -D-	SEE NOTE
85780-1005	6/6	4.0/0.157	3.8/0.150	11

- NOTES:
- 1- SHIELD MATERIAL: BRASS, PLATING: NICKEL
 - 2- HOUSING MATERIAL: THERMOPLASTIC UL 94-V0, COLOR BLACK
 - 3- TERMINAL: PHOSPHOR BRONZE
PLATING:
POSTPLATE OR SPOTPLATE 0.00076 / .00003 MIN GOLD
OVER 0.00127 / .00005 MIN NICKEL IN CONTACT AREA
TIN DIP IN TAIL AREA, BOTH OVER
0.00127 / .000050 MIN NICKEL OVER ALL.
 - 4- JACK TO BE MATCHED WITH F.C.C. 68.5 PLUGS (MOLEX-PLUGS: 85568.95043.90075-SERIES)
 - 5- PRODUCT SPECIFICATION: PS-85780-001
 - 6- PLEASE REQUEST MOLEX FOR A FRENCH INSTALLATION MANUAL IF DISTRIBUTED IN CANADA
 - 8- RECOMMENDED PCB LAYOUT AND PANEL CUT OUT SEE SHEET 2
 - 10- NO TRACES WITHOUT INSULATION ALLOWED ON BOARD PCB IN THIS DASHED AREAS UNDER THE METAL SHIELD
 - 11- PIN LENGTH FOR RECOMMENDED PCB MAX. THICKNESS OF .140" REFER TO STANDARD PC 610 REVISION C, CLASS 3
 - 12- STAND-OFF PLANE TO CUSTOMER PCB

PATENTS PENDING

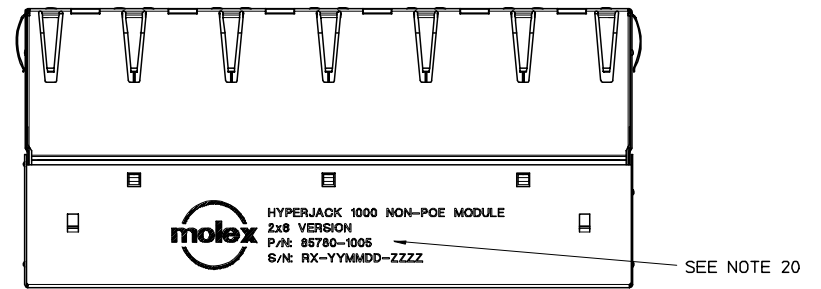
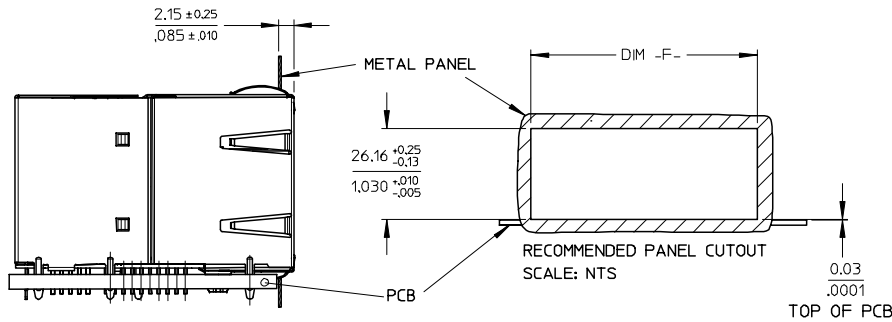
EC NO. M62007-0068 DRAWN BY: RSCHIEBER 2006/12/11 CHK'D: MARLT 2006/12/12 APPR: AVOST 2006/12/19 DESCRIPTION	QUALITY SYMBOLS ▽=0 ▽=0	GENERAL TOLERANCES (UNLESS SPECIFIED) 4 PLACES ± --- ± --- 3 PLACES ± --- ± .006 2 PLACES ± 0.15 ± .01 1 PLACE ± 0.25 ± --- ANGULAR ± 5°	DIMENSION STYLE MM/IN DRAWN BY: RSCHIEBER DATE: 2006/04/21 CHECKED BY: MARLT DATE: 2006/04/21 APPROVED BY: SFILIPON DATE: 2006/04/21	SCALE: 2:1 DESIGN UNITS: METRIC THIRD ANGLE PROJECTION
	DRAFT WHERE APPLICABLE MUST REMAIN WITHIN DIMENSIONS		MATERIAL NO.: 85780-1005 SIZE: A2 THIS DRAWING CONTAINS INFORMATION THAT IS PROPRIETARY TO MOLEX INCORPORATED AND SHOULD NOT BE USED WITHOUT WRITTEN PERMISSION	TITLE: HJ1000 S&G WITH LED NON POE BASED POE POP SWAPPED PORTS MOLEX INCORPORATED DOCUMENT NO.: SD-85780-002 SHEET NO.: 1 OF 2

12 11 10 9 8 7 6 5 4 3 2 1



Detail3 SCALE 4:1
PORTS E, F, G, H
(THE SAME FOR ALL VERSIONS)

SUGGESTED PCB BOARD LAYOUT 2x6 VERSION, COMPONENT SIDE VIEW



MATERIAL NUMBER	NUMBERS OF PORTS	DIM -E-	DIM -F-
85780-1005	6/6	81.28/3.2	88.01/3.465

NOTES:

- 20 - INSCRIPTION TO BE MARKED BY LASER PRINTER.
- INSCRIPTION:
- PART NAME
- PART NUMBER
- SERIES NUMBER -> CONNECTOR REVISION - DATE CODE (YEAR, MONTH, DAY) - CONSECUTIVE NUMBER

PATENTS PENDING

EC NO: MEG2007-0068 DRAWN BY: DRWNR/SCHIEBER CHKD: MARLT APPR: AVOST DATE: 2006/12/11 DATE: 2006/12/12 DATE: 2006/12/19	QUALITY SYMBOLS	GENERAL TOLERANCES (UNLESS SPECIFIED)	DIMENSION STYLE	SCALE	DESIGN UNITS	THIRD ANGLE PROJECTION
	$\nabla=0$ $\nabla=0$	4 PLACES \pm --- \pm --- 3 PLACES \pm --- \pm .006 2 PLACES \pm 0.15 \pm .01 1 PLACE \pm 0.25 \pm --- ANGULAR \pm 5°	MM/IN	2:1	METRIC	
	DRAWN BY: RSCHIEBER CHECKED BY: MARLT APPROVED BY: SFILIPON	DATE: 2006/04/21 DATE: 2006/04/21 DATE: 2006/04/21	TITLE	HJ1000 S&G WITH LED NON POE BASED POE POP SWAPPED PORTS		
	DRAFT WHERE APPLICABLE MUST REMAIN WITHIN DIMENSIONS		SEE SHEET 1 SIZE: A2	MATERIAL NO.: DOCUMENT NO.: SD-85780-002	MOLEX INCORPORATED	