

**ADVANCED ANALOG
HIGH RELIABILITY RADIATION
TOLERANT DC/DC CONVERTERS**

**H-SERIES
+28V Input, Single/Dual Output**



Description

The H-Series of DC/DC converters are radiation tolerant, high reliability devices designed for moderate radiation environments such as those encountered by low earth orbit satellites and launch vehicles. For higher radiation environments, the G-Series of DC/DC converters is recommended. System upgrades to higher radiation tolerance applications can be easily accommodated with the G-Series converters because they have the same mechanical outline and are pin compatible. For physically smaller, lower output power single and dual output applications the L-Series of DC/DC converters are recommended. Features of the H-Series include up to 40 watt output power, small size, low weight and a high tolerance to total ionizing dose, single event effects and environmental stresses such as temperature extremes, mechanical shock, and vibration. All components are fully derated to meet the requirements of MIL-STD-975 and MIL-STD-1547. Extensive documentation including Radiation Susceptibility, Thermal Analysis, Stress Analysis and MTBF are available.

The converters incorporate a fixed frequency single forward topology with magnetic feedback and an internal EMI filter. These converters are capable of meeting the conducted emissions and conducted susceptibility requirements of MIL-STD-461C without any additional components. All models include an external inhibit port and have an adjustable output voltage. They are enclosed in a hermetic 3.0" x 2.5" x 0.445" steel package and weigh less than 125 grams. The package utilizes rugged ceramic feed-through copper core pins and is sealed using parallel seam welding.

Full environmental screening includes temperature cycling, constant acceleration, fine and gross leak, and burn-in.

Non-flight versions of the H-Series converters are available for system development purposes. Variations in

Features

- Total Dose > 25K Rad(Si)
- SEE > 37 MeV.cm²/mg
- Internal EMI filter; Converter Capable of meeting MIL-STD-461C CE03 and CS01
- Low Weight, < 125 grams
- Magnetically Coupled Feedback
- 18V to 50V Input Range (50V, 70V, and 120V Models Available)
- Up to 40W Output Power
- Single and Dual Output Models Include 3.3, 5, 5.2, 12, 15, ±5, ±12, ±15V
- High Efficiency - to 82%
- -55°C to +125°C Operating Temperature Range
- 100MΩ @ 500VDC Isolation
- Under-Voltage Lockout
- Short Circuit and Overload Protection
- Output Over Voltage Limiter
- Adjustable Output Voltage
- External Inhibit
- 1,500,000 Hour MTBF

Applications

- Low Earth Orbit Satellites (LEO)
- Launch Vehicles

electrical specifications and screening to meet custom requirements can be accommodated.

H-SERIES

International
IR Rectifier

Circuit Description

The H-Series converters utilize a single forward topology with resonant reset. The nominal switching frequency is 500kHz. Electrical isolation and tight output regulation are achieved through the use of a magnetically coupled feedback. Voltage feed-forward with duty factor limiting provides high line rejection and protection against output over voltage in the event of an internal control loop failure. This mechanism limits the maximum output voltage to approximately 20% over the nominal regardless of the line voltage.

An internal EMI filter allows the converter to meet the conducted emissions requirements of MIL-STD-461C on the input power leads. A two-stage output filter reduces the typical output ripple to less than 20mV peak-to-peak.

Output current is limited under any load fault condition to approximately 125% of rated. An overload condition causes the converter output to behave like a constant current source with the output voltage dropping below nominal. The converter will resume normal operation when the load current is reduced below the current limit point. This protects the converter from both overload and short circuit conditions. The current limit point exhibits a slightly negative temperature coefficient to reduce the possibility of thermal runaway.

An under-voltage lockout circuit prohibits the converter from operating when the line voltage is too low to maintain the output voltage. The converter will not start until the line voltage rises to approximately 17 volts and will shut down when the input voltage drops below 16 volts. The one volt of hysteresis reduces the possibility of line noise interfering with the converter's start-up and shut down.

An external inhibit port is provided to control converter operation. The converter's operation is inhibited when this pin is pulled low. It is intended to be driven by an open collector logic device. The pin may be left open for normal operation and has a nominal open circuit voltage of 10.5V with respect to the input return (pin 2).

Single output models feature remote sense to automatically correct for voltage drops between the converter output and the load. The output voltage of dual output models can be adjusted using a single external resistor.

Design Methodology

The H-Series was developed using a proven conservative design methodology which includes selecting radiation tolerant and established reliability components and fully derating to the requirements of MIL-STD-975 and MIL-STD-1547. Heavy derating of the power MOSFET gate and drain voltages minimize the possibility of SEGR and SEB. A magnetic feedback circuit is utilized instead of opto-couplers to minimize temperature, radiation and aging sensitivity. PSpice was used extensively to predict and optimize circuit performance for both beginning and end-of-life. Thorough design analyses include Radiation Susceptibility (TREE), Stress, Thermal, and Reliability (MTBF).

Absolute Maximum Ratings

Input voltage range - -0.5Vdc to +60Vdc
 Output power - Internally limited
 Lead temperature - +300°C for 10 seconds
 Operating temperature - -55°C to +135°C
 Storage temperature - -55°C to +135°C

Recommended Operating Conditions

Input voltage range - 18Vdc to +40Vdc
 Input voltage range¹ - 18Vdc to +38Vdc
 Output power - 0 to Max. Rated
 Operating temperature² - -55°C to +125°C
 Operating temperature¹ - -55°C to +70°C

¹ Meets derating per MIL-STD-975

² For operation at +125°C see table note 13

Electrical Performance Characteristics

Parameter	Group A Subgroup	Conditions -55°C ≤ T _C ≤ +85°C V _{IN} = 28V DC ± 5%, C _L = 0 unless otherwise specified	Limits			Unit
			Min	Nom	Max	
Input Voltage			18	28	40	V
Output Voltage (V _{OUT})						
M3H2803R3S	1	I _{OUT} = 100% rated load Note 4	3.27	3.30	3.33	V
M3H2805S	1		4.95	5.00	5.05	V
M3H2805R2S	1		5.17	5.20	5.23	V
M3H2812S	1		11.88	12.00	12.12	V
M3H2815S	1		14.85	15.00	15.15	V
M3H2805D	1		±4.95	±5.00	±5.05	V
M3H2812D	1		±11.88	±12.00	±12.12	V
M3H2815D	1		±14.85	±15.00	±15.15	V
M3H2803R3S	2,3	I _{OUT} = 100% rated load Note 4	3.23		3.37	V
M3H2805S	2,3		4.90		5.10	V
M3H2805R2S	2,3		5.13		5.27	V
M3H2812S	2,3		11.76		12.24	V
M3H2815S	2,3		14.70		15.30	V
M3H2805D	2,3		±4.90		±5.10	V
M3H2812D	2,3		±11.76		±12.24	V
M3H2815D	2,3		±14.70		±15.30	V
Output power (P _{OUT})						
M3H2803R3S	1,2,3	V _{IN} = 18, 28, 40 Volts, Note 2	0		30	W
All Others			0		40	W
Output current (I _{OUT})						
M3H2803R3S	1,2,3	V _{IN} = 18, 28, 40 Volts, Note 2	0		9.10	A
M3H2805S			0		8.00	A
M3H2805R2S			0		7.70	A
M3H2812S			0		3.34	A
M3H2815S			0		2.67	A
M3H2805D		Either Output, Note 3	0		6.40	A
M3H2812D		Either Output, Note 3	0		2.67	A
M3H2815D		Either Output, Note 3	0		2.14	A
Line regulation (V _R LINE)	1,2,3	V _{IN} = 18, 28, 40 Volts I _{OUT} = 0, 50%, 100% rated, Note 4	-0.5		0.5	%
Load regulation (V _R LOAD)	1,2,3	I _{OUT} = 0, 50%, 100% rated, Note 4 V _{IN} = 18, 28, 40 Volts	-1.0		1.0	%
Cross regulation (V _R CROSS)						
M3H2805D	1,2,3	Duals only, Note 5 V _{IN} = 18, 28, 40 Volts	-5.0		5.0	%
M3H2812D			-3.0		3.0	%
M3H2815D			-3.0		3.0	%

For Notes to Specifications, refer to page 5

H-SERIES

Electrical Performance Characteristics (continued)

Parameter	Group A Subgroup	Conditions -55°C ≤ T _C ≤ +85°C V _{IN} = 28V DC ± 5%, C _L = 0 unless otherwise specified	Limits			Unit
			Min	Nom	Max	
Output Ripple (V _{rip}) M3H2803R3S M3H2805S M3H2805R2S M3H2812S M3H2815S M3H2805D M3H2812D M3H2815D	1,2,3	V _{IN} = 18, 28, 40 Volts I _{OUT} = 100% rated load Notes 4, 6			35 50 50 70 80 80 80 80	mV p-p mV p-p mV p-p mV p-p mV p-p mV p-p mV p-p mV p-p
Input current, no load (I _{IN}) M3H2803R3S M3H2805S M3H2805R2S M3H2812S M3H2815S M3H2805D M3H2812D M3H2815D	1,2,3	I _{OUT} = 0, Pin 4 open			60 70 70 70 70 70 100 100	mA mA mA mA mA mA mA mA
Input current inhibited	1,2,3	Pin 4 shorted to pin 2			8	mA
Switching frequency (F _S)	1,2,3		450	500	550	KHz
Efficiency (E _{FF}) M3H2803R3S M3H2805S M3H2805R2S M3H2812S M3H2815S M3H2805D M3H2812D M3H2815D	1,2,3	I _{OUT} = 100% rated load Note 4	68 77 77 78 78 77 78 78	73 80 80 81 82 80 81 82		% % % % % % % %
Enable Input (Inhibit Function) open circuit voltage drive current (sink) voltage range	1,2,3	Note 1	9.5 -0.5		11.5 500 50	V μA V
Current Limit Point Expressed as a percentage of full rated load current	1,2,3	V _{out} = 90% of Nominal, Note 4	105		130	%
Power dissipation, load fault (P _D)	1,2,3	Short Circuit, Overload, Note 8			12	W
Output response to step load changes (V _{TLD})	4,5,6	Half Load to/from Full Load, Notes 4,9	-300		300	mV pk
Recovery time, step load changes (T _{TLD})	4,5,6	Half Load to/from Full Load, Note 4,9,10			200	μs
Output response to step line changes (V _{TLN})	4,5,6	18V to/from 40V I _{OUT} = 100% rated load, Notes 1,4,11	-300		300	mV pk
Recovery time, step line changes (T _{TLN})	4,5,6	18V to/from 40V I _{OUT} = 100% rated load, Notes 1,4,10,11			200	μs
Turn-on Response Overshoot (V _{OS}) Turn-on Delay (T _{DLY})	4,5,6	No Load, Full Load Notes 4,12	2		500 10	mV ms

For Notes to Specifications, refer to page 5

Electrical Performance Characteristics (continued)

Parameter	Group A Subgroup	Conditions -55°C ≤ T _C ≤ +85°C V _{IN} = 28V DC ± 5%, C _L = 0 Unless otherwise specified	LIMITS			Unit
			Min	Nom	Max	
Capacitive Load (CL) M3H2803R3S M3H2805S M3H2005R2S M3H2812S M3H2815S M3H2805D M3H2812D M3H2815D	1	I _{OUT} = 100% rated load No effect on DC performance Notes 1, 4, 7 Each output on duals			2200 1000 1000 180 120 500 90 60	μF μF μF μF μF μF μF μF
Line Rejection	1	I _{OUT} = 100% rated load DC to 50KHz, Notes 1, 4	40	50		dB
Isolation	1	Input to Output or Any Pin to Case except pin 3, test @ 500VDC	100			MΩ
Device Weight					125	grams
MTBF		MIL-HDBK-217F2, SF, 35°C	1.5 x 10 ⁶			Hours

Table I. Electrical Performance Characteristics - notes

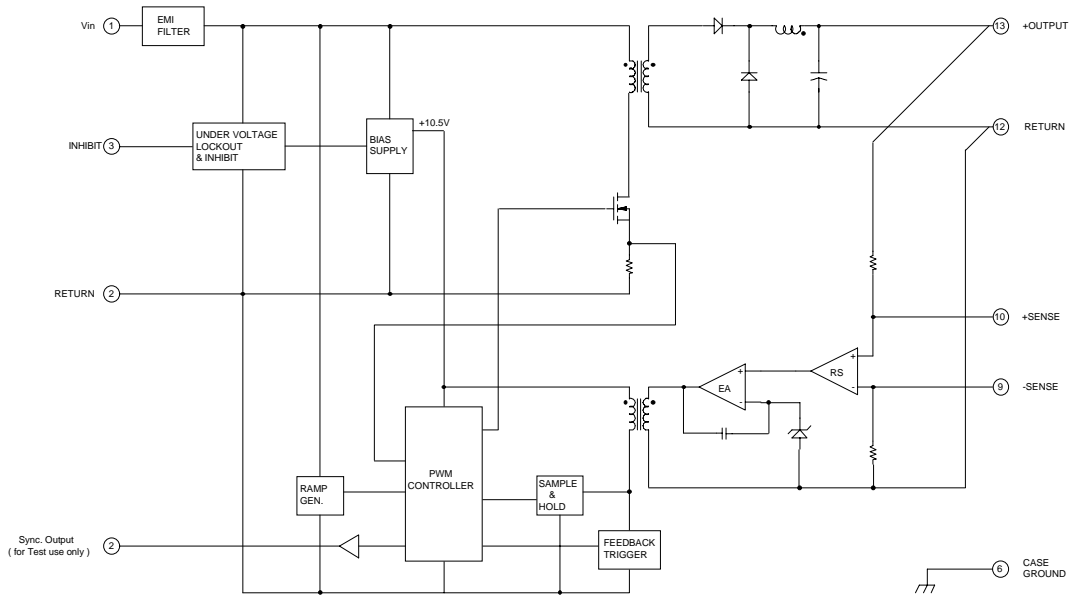
- 1) Parameter is tested as part of design characterization or after design changes. Thereafter, parameter shall be guaranteed to the limits specified.
- 2) Parameter verified during line and load regulation tests.
- 3) Output load current must be distributed such that at least 20% of the total load current is being provided by one of the outputs.
- 4) Load current split equally between outputs on dual output models.
- 5) Cross regulation is measured with 20% rated load on output under test while changing the load on the other output from 20% to 80% of rated.
- 6) Guaranteed for a D.C. to 20MHz bandwidth. Tested using a 20KHz to 10MHz bandwidth using the circuit shown below.
- 7) Capacitive load may be any value from 0 to the maximum limit without compromising dc performance. A capacitive load in excess of the maximum limit may interfere with the proper operation of the converter's overload protection, causing erratic behavior during turn-on.
- 8) Overload power dissipation is defined as the device power dissipation with the load set such that V_{OUT} = 90% of nominal.
- 9) Load step transition time ≤ 10 μSec.
- 10) Recovery time is measured from the initiation of the transient to where V_{OUT} has returned to within ±1% of its steady state value.
- 11) Line step transition time ≤ 100 μSec.
- 12) Turn-on delay time from either a step application of input power or a logic low to a logic high transition on the inhibit pin (pin 4) to the point where V_{OUT} = 90% of nominal.
- 13) For operation at temperatures between +85°C and +125°C, derate the maximum output power linearly from 100% to 75%.

Radiation Performance Characteristics

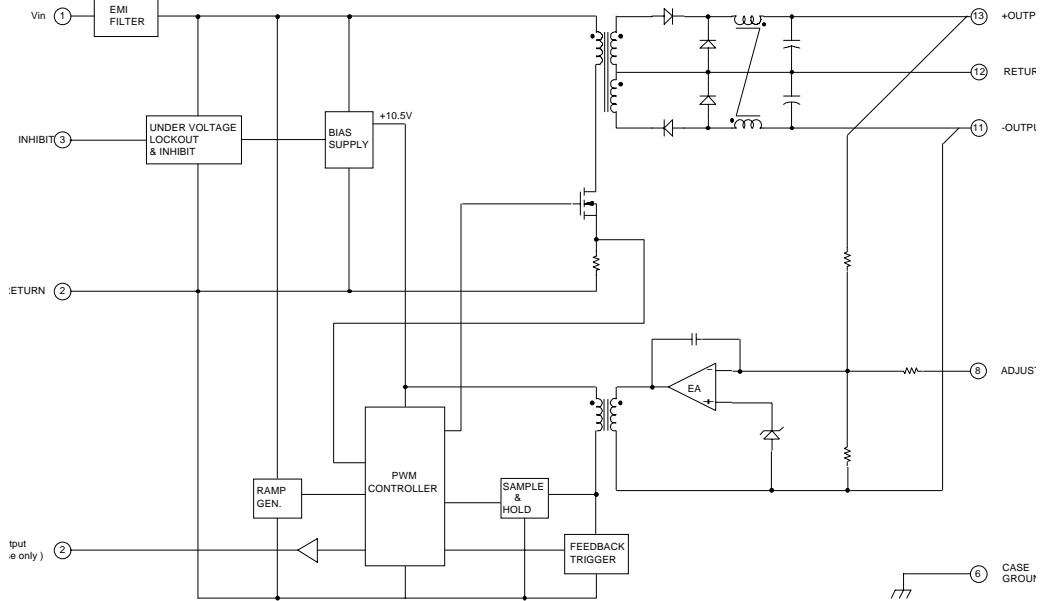
Test	Conditions	Min	Typ	Highest Level Tested	Unit
Total Ionizing Dose (Gamma)	MIL-STD-883, Method 1019 Operating bias applied during exposure, Full Rated Load, $V_{IN} = 28V$	25	40	60	Krads (Si)
Single Event Effects SEU, SEL, SEGR, SEB	Heavy ions (LET) Operating bias applied during exposure, Full Rated Load, $V_{IN} = 28V$	37	82	82	MeV•cm ² /mg
Dose Rate (Gamma Dot) Temporary Saturation Survival	MIL-STD-883, Method 1023 Operating bias applied during exposure, Full Rated Load, $V_{IN} = 28V$	1E8 1E10		1.5E9	Rads (Si)/sec
Neutron Fluence	MIL-STD-883, Method 1017	3E12		8E12	Neutrons /cm ²
Proton Fluence	E > 10MeV	TBD		N/A	protons /cm ²

Device Screening

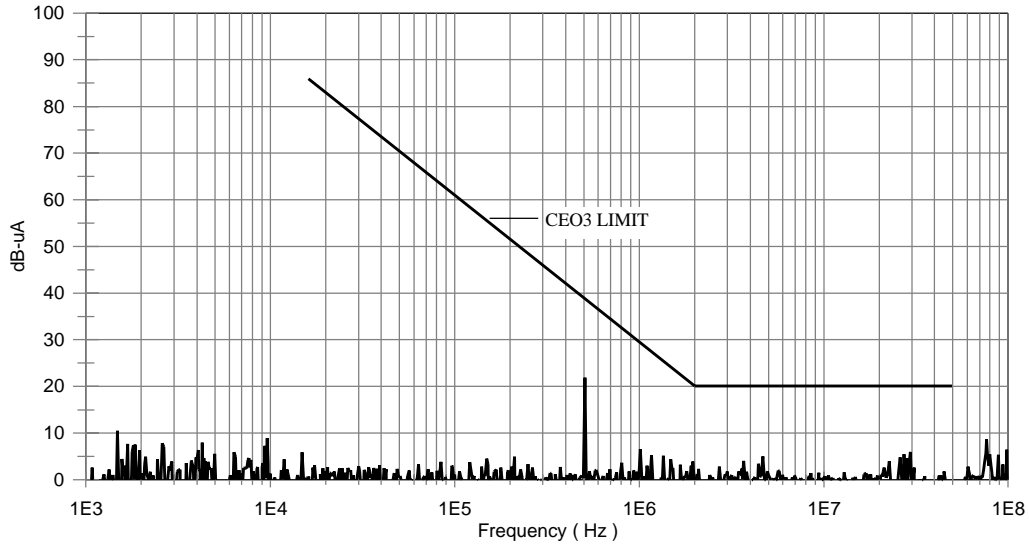
Test Inspection	Method	Condition
Element Evaluation	MIL-PRF-38534 class H equivalent with SEM	
Nondestructive Bond Pull	MIL-STD-883, Method 2023	
Internal Visual	MIL-STD-883, Method 2017	
Temperature Cycling	MIL-STD-883, Method 1010	C
Constant Acceleration	MIL-STD-883, Method 2001 (2k-g)	A, Y1 axis only
Electrical	In accordance with device specification	
Burn-in	MIL-STD-883, Method 1015	160 Hours
Final Electrical (Group A)	In accordance with device specification	
Seal Fine Leak Gross Leak	MIL-STD-883, Method 1014	A1 C
External Visual	MIL-STD-883, Method 2009	



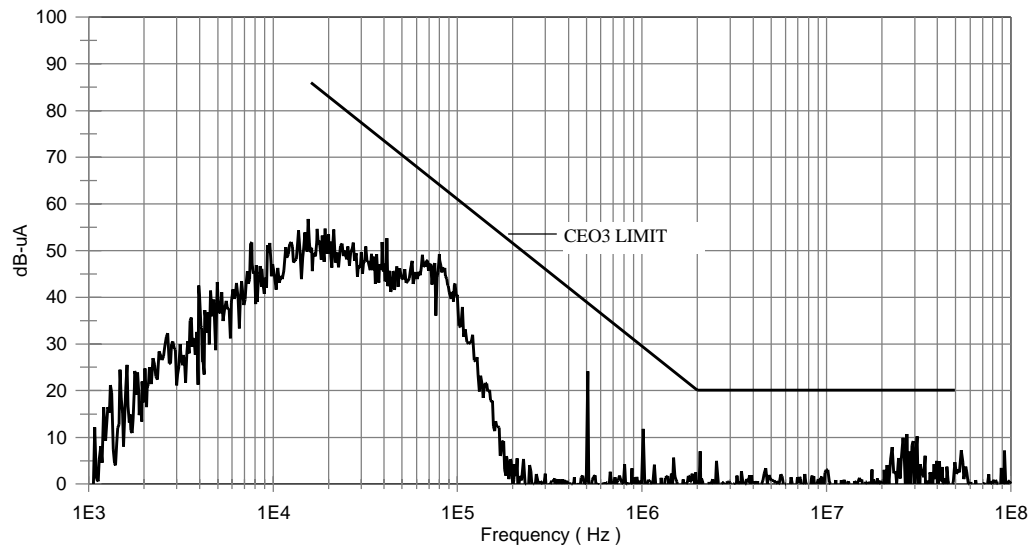
Block Diagram - Single Output



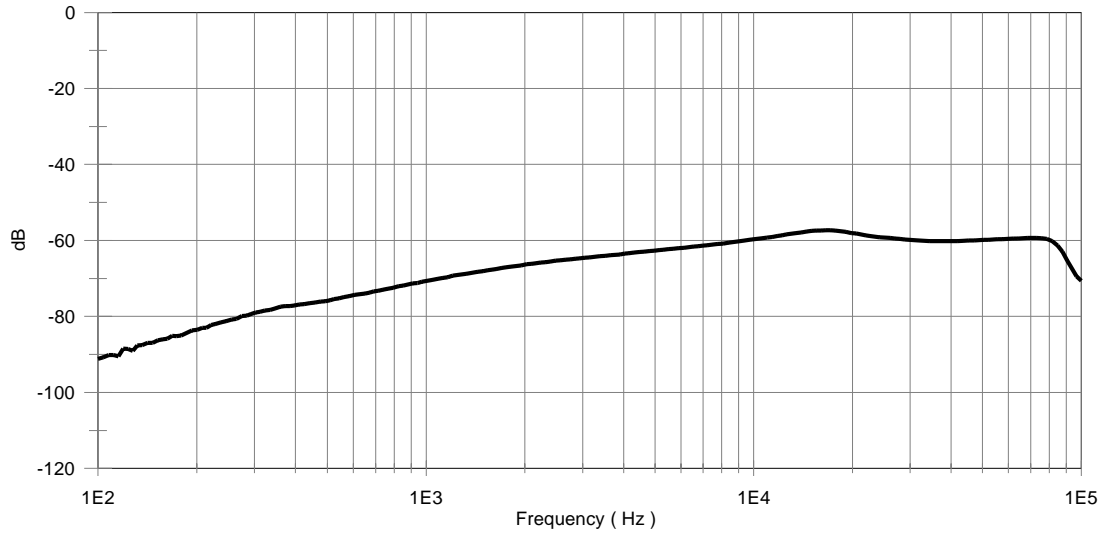
Block Diagram - Dual Output



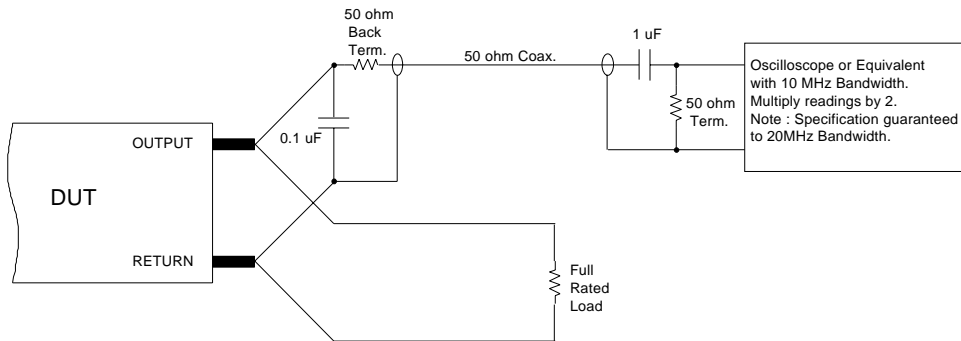
Conducted Emissions, Common Mode



Conducted Emissions, Normal Mode

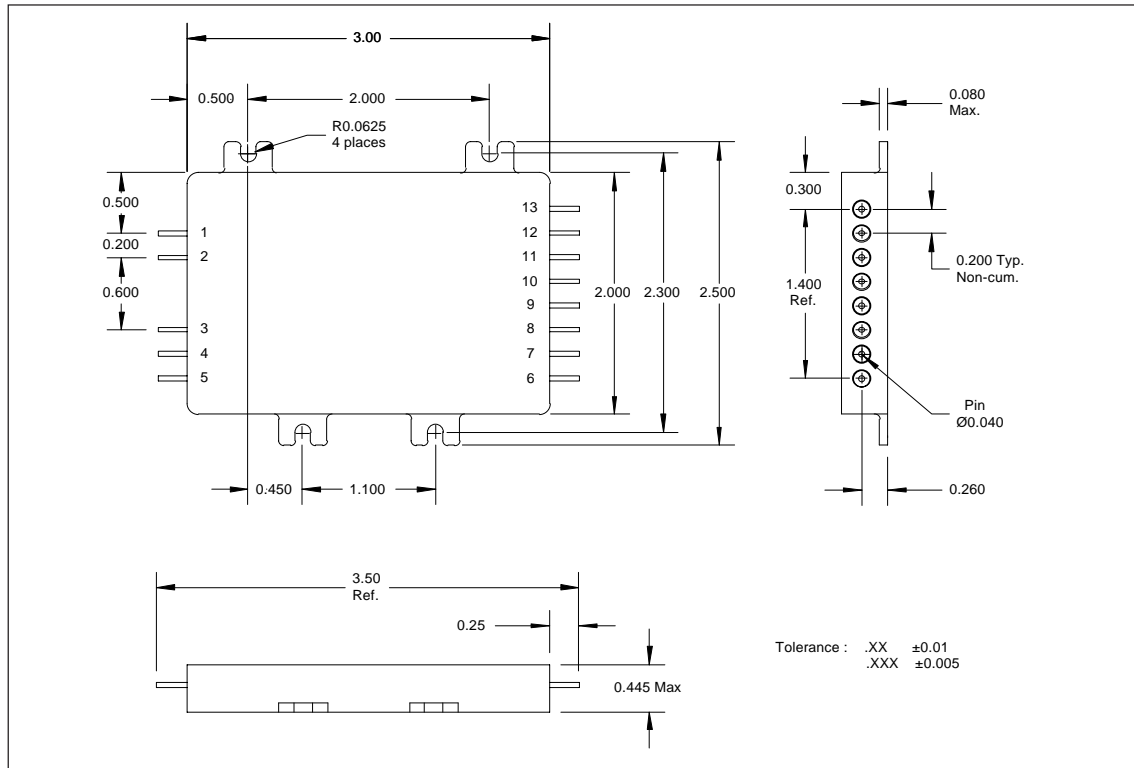


Line Rejections, 28Vdc + 8Vac-p



Circuit for Measuring Output Ripple Voltage

Mechanical Diagram



Pin Designation (Single/Dual)

Pin	Signal	Pin	Signal
Pin 1	+V Input	Pin 8	NC/ Adjust
Pin 2	Input Return	Pin 9	-Sense/ NC
Pin 3	Inhibit	Pin 10	+Sense/ NC
Pin 4	NC	Pin 11	NC/ -Output
Pin 5	Sync. Output (T.P.)	Pin 12	Output Return
Pin 6	Case Ground	Pin 13	+Output
Pin 7	NC		

Part Number

M3H 28 05 S

Model	Outputs
Nominal Input Voltage	S = Single D = Dual
28 = 28V	Nominal Output Voltages
	03R3 = 3.3V, 05R2 = 5.2V
	05 = 5V, 12 = 12V, 15 = 15V