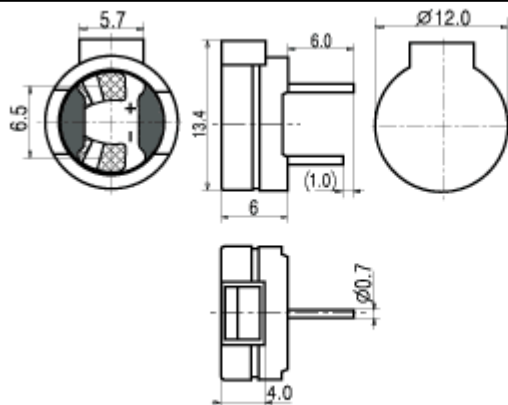


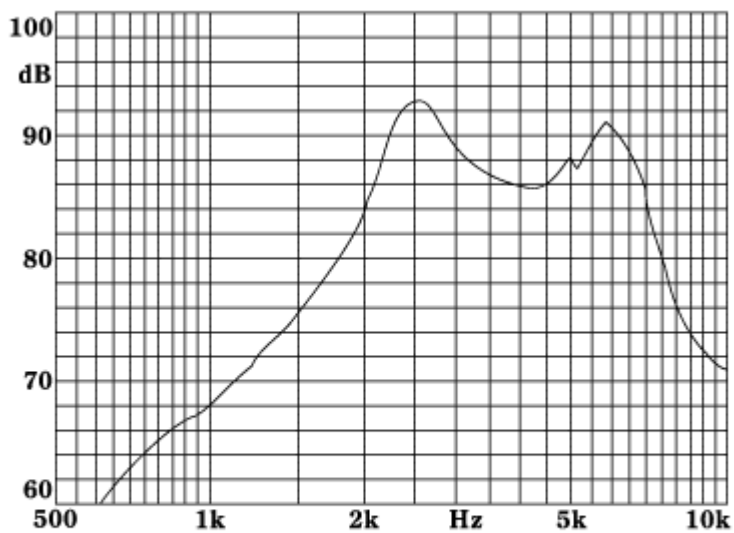


Type	BMT-04F
Rated Voltage(V)	1.5
Operating Voltage(V)	1~2
◆Rated Current(mA)	≤ 70
Coil Resistance(Ω)	5 ± 1
◇Coil Impedance(Ω)	15
◆Sound Output at 10cm(dB)	≥ 85
Resonant Frequency(Hz)	2700
Operating Temperature(°C)	-25~+70
Storage Temperature(°C)	-30~+85
Weight(g)	2

◆ Value applying rated voltage(resonant frequency, 1/2 duty, square wave)  
 ◇ Value applying(resonant frequency, sine wave, measuring current 60μA)



Unit:mm



Applied voltage: 1.5V, 1/2 duty, square wave  
 Distance for measurement: 10cm