

“LAN-MATE” SERIES

SINGLE RJ45 CONNECTOR MODULE WITH INTEGRATED 10 BASE T MAGNETICS

P/N : LT1S001

Page : 1/2

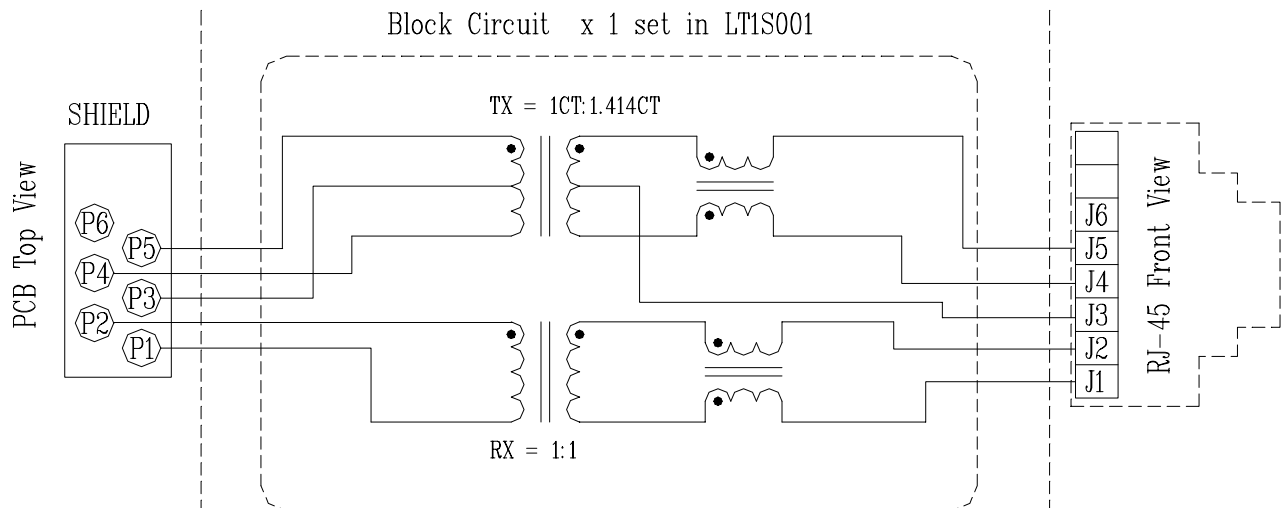
A. General Specifications

1. RJ-45 connector integrated with X'FMER/Impedance Resistor/High voltage capacitor
2. Size same as RJ-45 connector to save PCH Board space.
3. Reduce EMI radiation, improve EMI performance.
4. Complies with IEEE802.3 standards

B. Electrical Specifications@25° C

1. Turns Ratio($\pm 5\%$): TX=1CT:1.414CT & RX=1:1
3. Inductance: 200 μ H Min. @0.2V/100KHz
4. Leakage Inductance (TX & RX) : 0.5 μ H Max
5. Inter winding Capacitance (TX & RX) : 14pF Max.
6. HI-POT Isolation: 1500 Vrms

C. Schematic:



Prepared :Luo Ming Li

Checked by: Xu Wenbing

Approved : Alexander Wu

Drawing no.: Pulse Transformer

REV.:A3

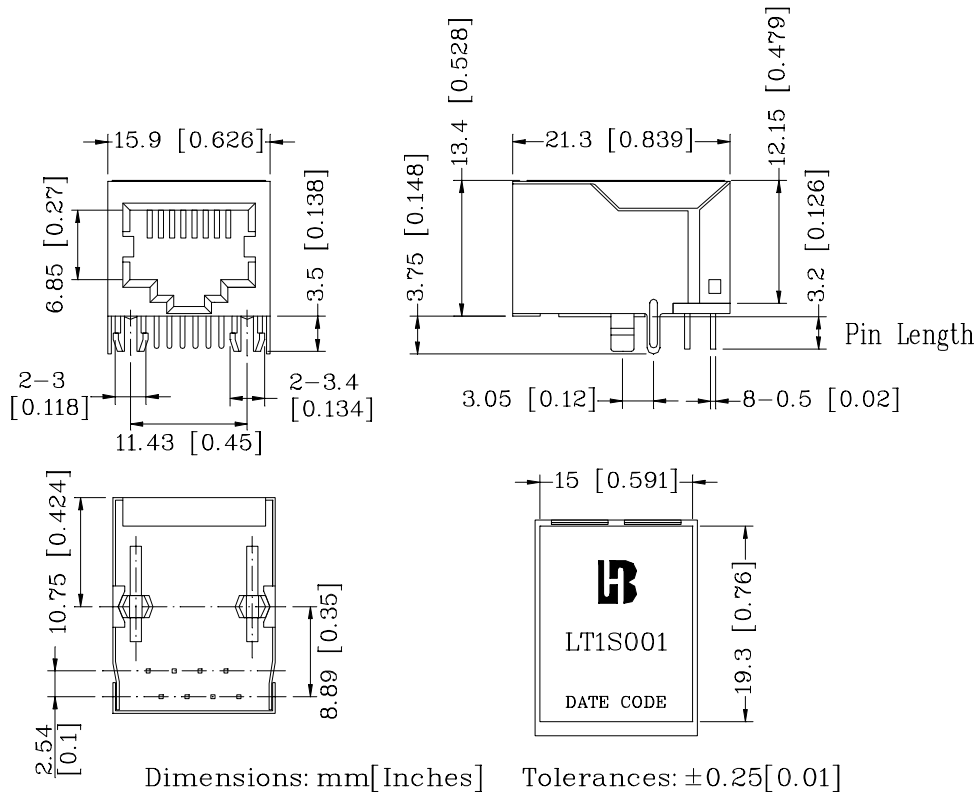
Date : 2001/08/07

“LAN-MATE” SERIES

SINGLE RJ45 CONNECTOR MODULE WITH INTEGRATED 10 BASE T MAGNETICS

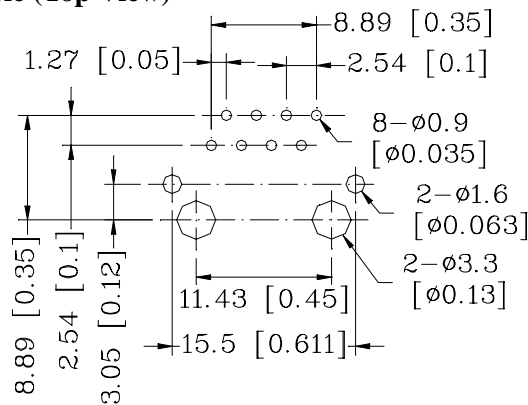
P/N : LT1S001

D. Mechanical:



1. Plastic Material : PBT 15% Glass Filled (UL 94V-0) , Black Housing
2. Metal Shield : Brass C2680-H, 20u Nickle Plated, t=0.25mm
3. Spring Wire : 0.45mm Dia. Phosphor bronze with 6u gold plated .
4. Solder Pin : 0.4x0.4mm ,Phosphor bronze with Solder plated
5. Durability : 300 Mating cycles Min .

E. PCB Layout Mounting Hole (Top View)



Dimensions: mm[Inches] Tolerances: ± 0.25 [0.01]