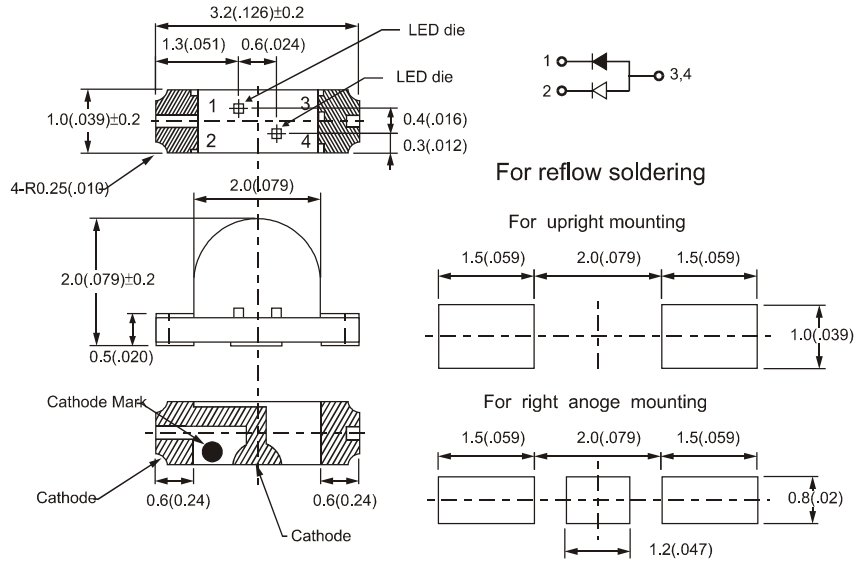




SURFACE MOUNT DUAL COLOR LED LAMPS



BL-Hxxxxx4B (1204) Series



■ Absolute Maximum Ratings
(Ta=25°C)

	UNIT	SPEC.
IF	mA	30
IFp	mA	100
VR	V	5
Topr	°C	-25 ~ +80
Tstg	°C	-30 ~ +85

NOTE:
 1. All dimension are in millimeters(inches).
 2. Tolerance is $\pm 0.10(.004")$ unless otherwise specified.
 3. Specifications are subject to change without notices.

Part No.	Chip				Lens Appearance	Electro-optical Data (At 20mA)				Viewing Angle 2 θ 1/2 (deg)
	Material	Emitted Color	λ_p (nm)	λ_d (nm)		Vf (V)		Iv (mcd)		
						Typ.	Max.	Min.	Typ.	
BL-HB4KB34B	A1InGaN	Super Blue	470	470	Water Clear	3.5	4.0	42.0	70.0	100°
	A1GaInP	Super Yellow	590	587		2.1	2.6	42.0	70.0	
BL-HB4JF34B	A1InGaN	Super Blue	470	470		3.5	4.0	42.0	70.0	
	A1GaInP	Super Amber	610	605		2.0	2.6	42.0	70.0	
BL-HJFGE34B	A1GaInP	Super Amber	610	605		2.0	2.6	42.0	70.0	
	A1GaInP	Super Yellow Green	570	570		2.0	2.6	28.0	45.0	
BL-HD1X134B	GaAlAs/GaAs	Super Red	660	643		1.8	2.6	8.2	25.0	
	GaP/GaP	Hi-Eff Green	568	570		2.2	2.6	5.5	20.0	
BL-HE1G034B	GaAsP/GaP	Hi-Eff Red	640	628		2.0	2.6	5.5	15.0	
	GaP/GaP	Yellow Green	568	571		2.2	2.6	3.7	12.0	
BL-HE1Y034B	GaAsP/GaP	Hi-Eff Red	640	628		2.0	2.6	5.5	15.0	
	GaAsP/GaP	Yellow	583	585		2.1	2.6	3.7	12.0	