



MMBD3004S

Features

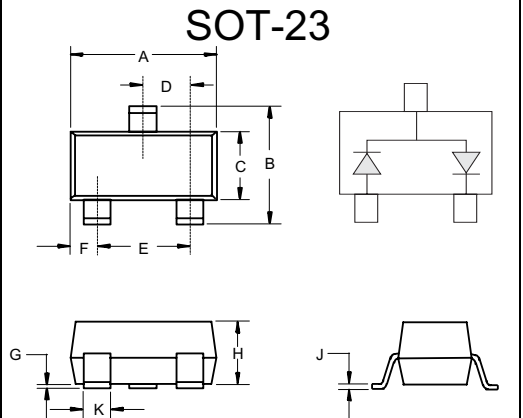
- Fast Switching Speed
- Surface Mount Package Ideally Suited for Automatic Insertion
- High Conductance
- High Reverse Breakdown Voltage Rating
- Epoxy meets UL 94 V-0 flammability rating
- Moisture Sensitivity Level 1

Maximum Ratings

- Operating Temperature: -65°C to +150°C
- Storage Temperature: -65°C to +150°C
- Typical Thermal Resistance: 357°C/W Junction to Ambient

350 mW High Voltage Switching Diode 240 Volts

Rating	Symbol	Value	Unit
Continuous Reverse Voltage	V_R	300	V
Peak Repetitive Reverse Voltage	V_{RRM}	350	V
RMS Reverse Voltage	$V_{R(RMS)}$	212	V
Continuous Forward Current	I_F	225	mA
Repetitive Peak Forward Current	I_{FRM}	625	mA
Forward Surge Current $t_p = 1\text{us}$	I_{FSM}	4	A
Forward Surge Current $t_p = 1\text{s}$	I_{FSM}	1	A
Total Power Dissipation @ $T_A = 25^\circ\text{C}$	P_D	350	mW

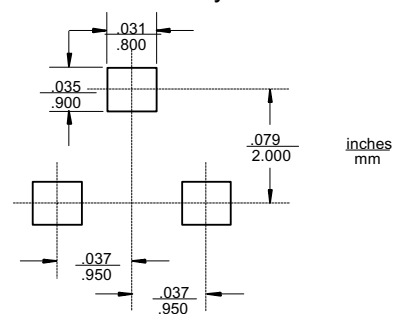


DIM	INCHES		MM		NOTE
	MIN	MAX	MIN	MAX	
A	.110	.120	2.80	3.04	
B	.083	.098	2.10	2.64	
C	.047	.055	1.20	1.40	
D	.035	.041	.89	1.03	
E	.070	.081	1.78	2.05	
F	.018	.024	.45	.60	
G	.0005	.0039	.013	.100	
H	.035	.044	.89	1.12	
J	.003	.007	.085	.180	
K	.015	.020	.37	.51	

Electrical Characteristics @ 25°C Unless Otherwise Specified

Ratings	Symbol	Value	Test Condition
Maximum Forward Voltage	V_F	0.87 V 1.0 V 1.25 V	$I_F = 20\text{mA}$ $I_F = 100\text{mA}$ $I_F = 200\text{mA}$
Maximum Reverse Current	I_R	100 nA 100 μA	$V_R = 240\text{V}$ $V_R = 240\text{V}, T_J = 150^\circ\text{C}$
Minimum Reverse Breakdown Voltage	$V_{(BR)}$	350 V	$I_R = 100\mu\text{A}$
Maximum Junction Capacitance	C_T	5.0 pF	$V_R = 0, f = 1\text{MHz}$
Maximum Reverse Recovery Time	t_{rr}	50 ns	$I_F = I_R = 30\text{mA}$, Rec. to $I_{RR} = 0.1 \times I_R, R_L = 100\Omega$

Suggested Solder Pad Layout



ELECTRICAL CHARACTERISTICS CURVES

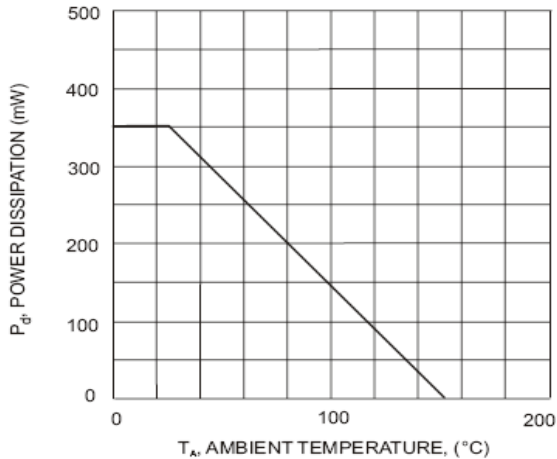


Fig. 1 Power Derating Curve, total package

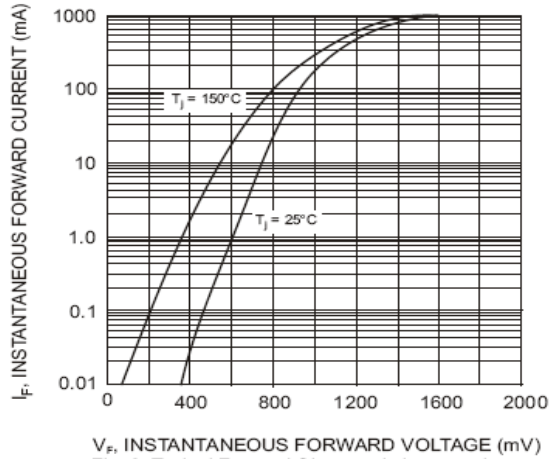


Fig. 2 Typical Forward Characteristics, per element

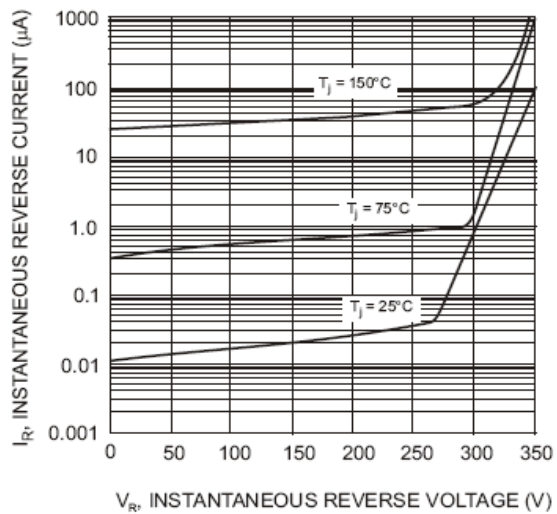


Fig. 3 Typical Reverse Characteristics, per element

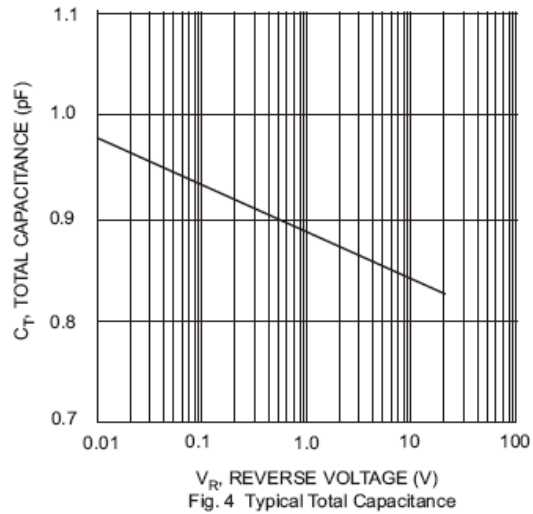


Fig. 4 Typical Total Capacitance vs. Reverse Voltage, per element



Micro Commercial Components

Ordering Information :

Device	Packing
Part Number-TP	Tape&Reel: 3Kpcs/Reel

*****IMPORTANT NOTICE*****

Micro Commercial Components Corp. reserves the right to make changes without further notice to any product herein to make corrections, modifications , enhancements , improvements , or other changes . **Micro Commercial Components Corp .** does not assume any liability arising out of the application or use of any product described herein; neither does it convey any license under its patent rights ,nor the rights of others . The user of products in such applications shall assume all risks of such use and will agree to hold **Micro Commercial Components Corp .** and all the companies whose products are represented on our website, harmless against all damages.

*****LIFE SUPPORT*****

MCC's products are not authorized for use as critical components in life support devices or systems without the express written approval of Micro Commercial Components Corporation.

*****CUSTOMER AWARENESS*****

Counterfeiting of semiconductor parts is a growing problem in the industry. Micro Commercial Components (MCC) is taking strong measures to protect ourselves and our customers from the proliferation of counterfeit parts. MCC strongly encourages customers to purchase MCC parts either directly from MCC or from Authorized MCC Distributors who are listed by country on our web page cited below. Products customers buy either from MCC directly or from Authorized MCC Distributors are genuine parts, have full traceability, meet MCC's quality standards for handling and storage. **MCC will not provide any warranty coverage or other assistance for parts bought from Unauthorized Sources.** MCC is committed to combat this global problem and encourage our customers to do their part in stopping this practice by buying direct or from authorized distributors.