

PLEASE CHECK WWW.MOLEX.COM FOR LATEST PART INFORMATION

Part Number: [0191640989](#)
Status: **Active**
Description: Perma-Seal™ Piggyback Quick Disconnect, Tab 6.35mm (.250") by 0.81mm (.032"), 10-12 AWG, Yellow

Documents:

[Drawing \(PDF\)](#)

[RoHS Certificate of Compliance \(PDF\)](#)

General

Product Family	Quick Disconnects
Series	19164
Crimp Quality Equipment	Yes
Product Name	Perma-Seal™
Type	Quick Disconnect

Physical

Barrel Type	Closed - Brazed
Gender	Female
Glow-Wire Compliant	No
Insulation	NiAc™
Lock to Mating Part	No
Orientation	Straight
Packaging Type	Adhesive Tape on Reel
Polarized to Mating Part	Yes
Tab Thickness	0.81mm (.032")
Tab Width	6.35mm (.250")
Temperature Range - Operating	125°C
Wire Insulation Diameter	6.58mm (.259") max.
Wire Size AWG	14, 16
Wire Size mm²	1.30 - 2.00

Electrical

Voltage - Maximum	300V AC
-------------------	---------

Material Info

Old Part Number	SBB-2302
-----------------	----------

Reference - Drawing Numbers

Sales Drawing	SD-19164-053
---------------	--------------

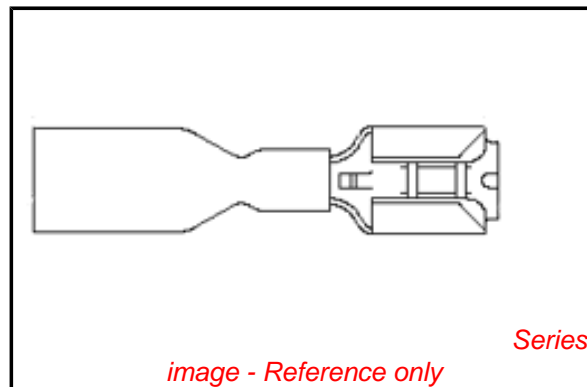


image - Reference only

EU RoHS

**ELV and RoHS
Compliant**

REACH SVHC

Not Reviewed

Halogen-Free

Status

Not Reviewed

China RoHS



**Need more information on product
environmental compliance?**

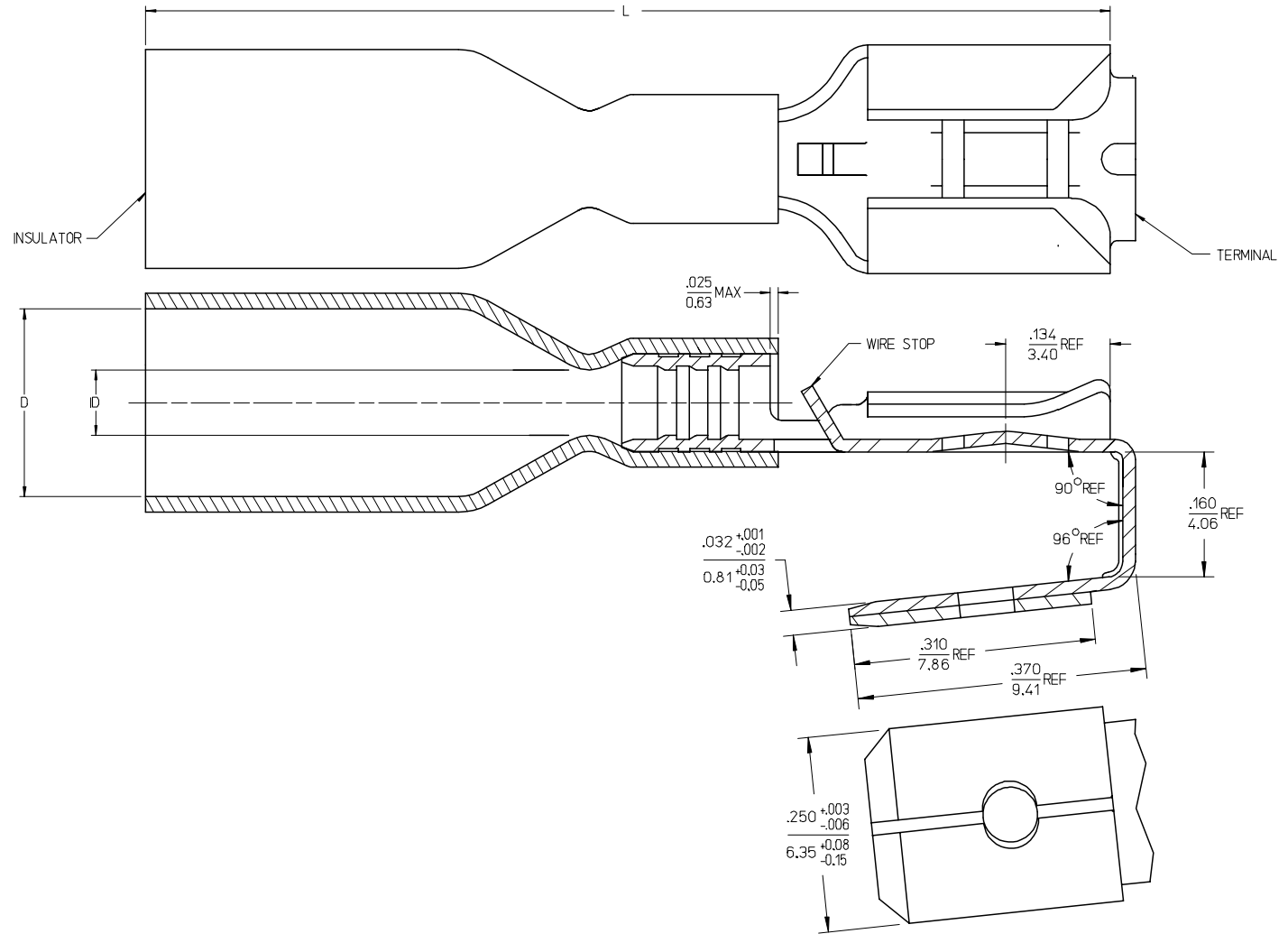
Email productcompliance@molex.com
 For a multiple part number RoHS Certificate of
 Compliance, [click here](#)

Please visit the [Contact Us](#) section for any
 non-product compliance questions.

Search Parts in this Series

[19164Series](#)

MATERIAL NO.	ENGINEERING NO.	WIRE SIZE	INSULATOR COLOR	ID MIN	D MIN	L MAX
191640989	19164-0989	16-14 AWG	BLUE	.080/2.03	.220/5.58	1.470/37.34
191640990	19164-0990	12-10 AWG	YELLOW	.150/3.81	.350/8.89	1.440/36.58



- NOTES:
1. TERMINAL MATERIAL: BRASS
 2. TERMINAL FINISH: TIN PLATED
 3. INSULATOR MATERIAL: PERMA-SEAL NIAC
 4. ASSEMBLY IS ROHS COMPLIANT.

REDRAWN & REVISED EC NO: ETC2007-0259 DRAWN BY: DRWNEHLE CHKD: IMACNEIL APPR: IMACNEIL	2007/02/28 2007/03/05 2007/03/05	QUALITY SYMBOLS ▽=0 ▽=0	GENERAL TOLERANCES (UNLESS SPECIFIED)		DIMENSION STYLE		SCALE	DESIGN UNITS	THIRD ANGLE PROJECTION		
					IN/MM		10:1	INCH			
			4 PLACES	±	±	DRAWN BY	DATE	TITLE			
			3 PLACES	±	±	DLM	2003/06/13	PIGGYBACK QD, .250 X .032 TAB, PERMA-SEAL NIAC			
2 PLACES	±	±	CHECKED BY	DATE	MOLEX INCORPORATED						
1 PLACE	±	±	SB	2003/06/13							
ANGULAR ±---°			APPROVED BY	DATE	MATERIAL NO.		DOCUMENT NO.	SHEET NO.			
DRAFT WHERE APPLICABLE MUST REMAIN WITHIN DIMENSIONS			RWD	2003/06/13	SEE CHART		SD-19164-053	1 OF 1			
THIS DRAWING CONTAINS INFORMATION THAT IS PROPRIETARY TO MOLEX INCORPORATED AND SHOULD NOT BE USED WITHOUT WRITTEN PERMISSION											