

# Connector for ExpressCard™

SCBA/SCBB Series



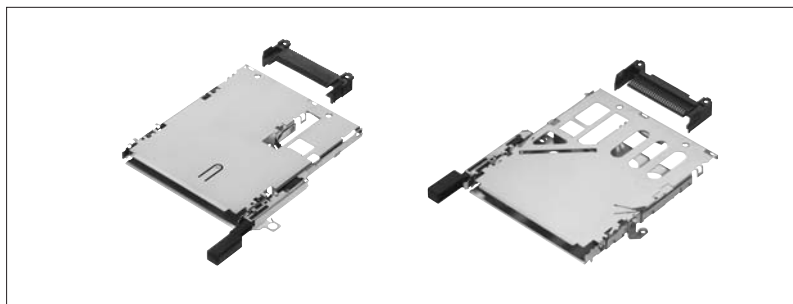
Compact low-profile and power-saving structure conforms to PCMCIA Unified Standard.

For SD Memory Card

For microSD™ Card

For SIM Card 8pins

For W-SIM



For Memory Stick Micro™

For Memory Stick™

Combine Type

For Compact Flash™

For PC cards supporting CardBus

For Express Card™

For CMOS Camera Module

## Features

- Simple structure contributes to compact and light weight body.
- Eject knob can be applied to the left or right side.
- Also available in stand-off.
- Pin header (SCBA) is provided with an adsorption area allowing automatic mounting.

## Applications

- For set top boxes, printers, digital still cameras, car navigation systems, personal digital assistants, PCs and AV equipment

## Typical Specifications

Items		Specifications
Structure	Applicable media	ExpressCard™34/54 which confirm to ExpressCard™ standard
	Mounting method	Surface mounting type
	Mounting system	Standard mount / Reverse mount
	Contact pitch	1mm
	Number of contacts	26 pins
Performance	Operating temperature range	-20°C to +70°C
	Voltage proof	500V AC 1minute
	Insulation resistance (Initial)	1,000MΩ min.
	Contact resistance (Initial)	120mΩ max.
	Insertion and removal cycle	5,000cycles

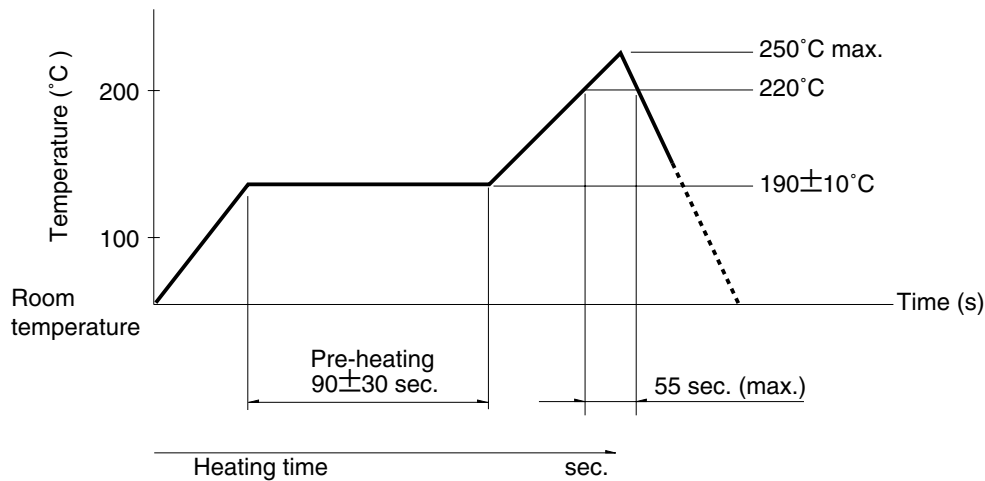




## Soldering Conditions

### Example of Reflow Soldering Condition (Reference)

1. Heating method: Double heating method with infrared heater.
2. Temperature measurement: Thermocouple 0.1 to 0.2  $\phi$  CA (K) or CC (T).
3. Temperature profile.



## Cautions for using this product

1. When soldering terminals, there is a danger that load placed on the terminals may cause rattle, deformation or electrical degradation to occur depending on the conditions. Caution is therefore required.
2. When soldering, do not use water soluble flux because this may corrode the product.
3. Regarding the setting of reflow conditions, please confirm them with the actual mass production conditions.
4. As PC board warping may alter characteristics, please take this into consideration when designing pattern and layout.

For  
SD Memory  
Card

For  
microSD™  
Card

For  
SIM Card  
8pins

For  
W-SIM

For  
Memory  
Stick Micro™

For  
Memory  
Stick™

Combine Type

For  
Compact  
Flash™

For PC cards  
supporting  
CardBus

For  
Express  
Card™

For CMOS  
Camera Module