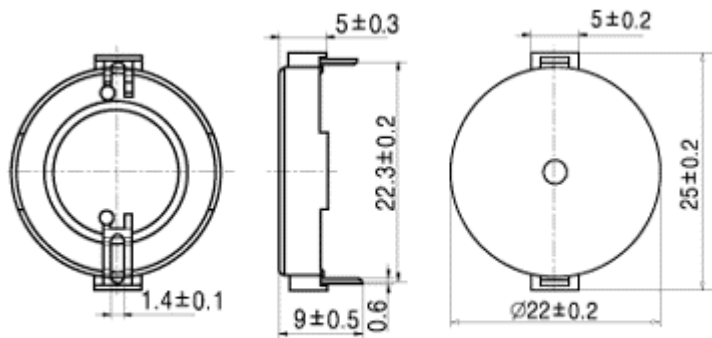




| | |
|---------------------------------|-----------|
| Type | BPT-22B |
| Rated Voltage(Vp-p,Square wave) | 10 |
| Operating Voltage(Vp-p) | 1~30 |
| ◆Rated Current(mA) | <3 |
| Capacitance at 120Hz(pF) | 18000±30% |
| ◆Sound Output at 4KHz,10cm(dB) | >80 |
| ◆Resonant Frequency(Hz) | 2500 ±500 |
| Operating Temperature(°C) | -20~+85 |
| Storage Temperature(°C) | -30~+90 |
| Weight(g) | 1.5 |



Unit:mm

