



## FW801BF Low-Power PHY 1394a-2000 One-Cable Transceiver/Arbiter Device

### Distinguishing Features

- Compliant with *IEEE*<sup>®</sup> Standard 1394a-2000, *IEEE Standard for a High Performance Serial Bus Amendment 1*.
- Low power consumption during powerdown or microlow-power sleep mode.
- Supports extended BIAS\_HANDSHAKE time for enhanced interoperability with camcorders.
- While unpowered and connected to the bus, will not drive TPBIAS on a connected port even if receiving incoming bias voltage on that port.
- Does not require external filter capacitors for PLL.
- Does not require a separate 5 V supply for 5 V link controller interoperability.
- Interoperable across 1394 cable with 1394 physical layers (PHY) using 5 V supplies.
- Interoperable with 1394 link-layer controllers using 5 V supplies.
- 1394a-2000 compliant common mode noise filter on incoming TPBIAS.
- Powerdown features to conserve energy in battery-powered applications include the following:
  - Device powerdown ball.
  - Link interface disable using LPS.
  - Inactive ports power down.
  - Automatic microlow-power sleep mode during suspend.
- Interface to link-layer controller supports Annex J electrical isolation as well as bus-keeper isolation.

### Features

- Provides one fully compliant cable port at 100 Mbits/s, 200 Mbits/s, and 400 Mbits/s.
- Fully supports 1394 Open HCI requirements.
- Supports arbitrated short bus reset to improve utilization of the bus.
- Supports ack-accelerated arbitration and fly-by concatenation.
- Supports connection debounce.
- Supports multispeed packet concatenation.

- Supports PHY pinging and remote PHY access packets.
- Fully supports suspend/resume.
- Supports PHY-link interface initialization and reset.
- Supports 1394a-2000 register set.
- Supports LPS/link-on as a part of PHY-link interface.
- Supports provisions of *IEEE 1394-1995 Standard for a High Performance Serial Bus*.
- Fully interoperable with *FireWire*<sup>®</sup> and *i.LINK*<sup>®</sup> implementations of *IEEE 1394-1995*.
- Reports cable power fail interrupt when voltage at CPS ball falls below 7.5 V.
- Provides separate cable bias and driver termination voltage supply for port.

### Other Features

- 48-ball VTFSBGAC package.
- Single 3.3 V supply operation.
- Data interface to link-layer controller provided through 2/4/8 parallel lines at 50 Mbits/s.
- 25 MHz crystal oscillator and PLL provide a 50 MHz link-layer controller clock as well as transmit/receive data at 100 Mbits/s, 200 Mbits/s, and 400 Mbits/s.
- Multiple separate package signals provided for analog and digital supplies and grounds.

### Description

The Agere Systems FW801BF device provides the analog physical layer functions needed to implement a one-port node in a cable-based *IEEE 1394-1995* and *IEEE 1394a-2000* network.

The cable port incorporates two differential line transceivers. The transceivers include circuitry to monitor the line conditions as needed for determining connection status, for initialization and arbitration, and for packet reception and transmission. The PHY is designed to interface with a link-layer controller (LLC).

## Table of Contents

<b>Contents</b>	<b>Page</b>
Distinguishing Features .....	1
Features .....	1
Other Features .....	1
Description .....	1
Ball Information .....	6
Signal Information.....	7
Application Information .....	10
Crystal Selection Considerations .....	11
Load Capacitance .....	12
Adjustment to Crystal Loading .....	12
Crystal/Board Layout .....	12
1394 Application Support Contact Information .....	12
Absolute Maximum Ratings .....	13
Electrical Characteristics .....	14
Timing Characteristics .....	17
Timing Waveforms .....	18
Internal Register Configuration .....	19
Outline Diagrams .....	24
48-Ball TF SBGAC .....	24
Ordering Information .....	25

## List of Figures

<b>Figures</b>	<b>Page</b>
Figure 1. Block Diagram.....	5
Figure 2. FW801BF Ball Diagram (48-Ball TF SBGAC) Top View .....	6
Figure 3. Typical External Component Connections .....	10
Figure 4. Typical Port Termination Network .....	11
Figure 5. Crystal Circuitry .....	12
Figure 6. Dn, CTLn, and LREQ Input Setup and Hold Times Waveforms .....	18
Figure 7. Dn, CTLn Output Delay Relative to SYSCLK Waveforms .....	18

## List of Tables

<b>Tables</b>	<b>Page</b>
Table 1. FW801BF (48-Ball TF SBGAC) Ball Coordination Table .....	6
Table 2. Signal Descriptions .....	7
Table 3. Absolute Maximum Ratings .....	13
Table 4. Analog Characteristics .....	14
Table 5. Driver Characteristics .....	15
Table 6. Device Characteristics .....	16
Table 7. Switching Characteristics .....	17
Table 8. Clock Characteristics.....	17
Table 9. PHY Register Map for the Cable Environment .....	19
Table 10. PHY Register Fields for the Cable Environment .....	19
Table 11. PHY Register Page 0: Port Status Page .....	21
Table 12. PHY Register Port Status Page Fields.....	22
Table 13. PHY Register Page 1: Vendor Identification Page .....	23
Table 14. PHY Register Vendor Identification Page Fields.....	23

## Description (continued)

The PHY requires either an external 24.576 MHz crystal or crystal oscillator. The internal oscillator drives an internal phase-locked loop (PLL) that generates the required 393.216 MHz reference signal. The 393.216 MHz reference signal is internally divided to provide the 49.152 MHz, 98.304 MHz, and 196.608 MHz clock signals that control transmission of the outbound encoded strobe and data information. The 49.152 MHz clock signal is also supplied to the associated LLC for synchronization of the two chips and is used for resynchronization of the received data. The powerdown function, when enabled by the PD signal high, stops operation of the PLL and disables all circuitry except the cable-not-active (CNA) signal circuitry.

The PHY supports an isolation barrier between itself and its LLC. When ISON is tied high, the link interface outputs behave normally. When ISON is tied low, internal differentiating logic is enabled, and the outputs become short pulses that can be coupled through a capacitor or transformer as described in the *IEEE* 1394-1995 Annex J. To operate with bus-keeper isolation, the ISON ball of the FW801BF must be tied high.

Data bits to be transmitted through the cable port is received from the LLC on two, four, or eight data lines (D[0:7]), and are latched internally in the PHY in synchronization with the 49.152 MHz system clock. These bits are combined serially, encoded, and transmitted at 98.304 Mb/s, 196.608 Mb/s, or 393.216 Mb/s as the outbound data-strobe information stream. During transmission, the encoded data information is transmitted differentially on the TPA and TPB cable pair(s).

During packet reception, the TPA and TPB transmitters of the receiving cable port are disabled and the receivers for that port are enabled. The encoded data information is received on the TPA and TPB cable pair. The received data-strobe information is decoded to recover the receive clock signal and the serial data bits. The serial data bits are split into two (for S100), four (for S200), or eight (for S400) parallel streams, resynchronized to the local system clock, and sent to the associated LLC. The received data is also transmitted (repeated) out of the other active (connected) cable ports.

Both the TPA and TPB cable interfaces incorporate differential comparators to monitor the line states during initialization and arbitration. The outputs of these comparators are used by the internal logic to determine the arbitration status. The TPA channel monitors the incoming cable common-mode voltage. The value of this common-mode voltage is used during arbitra-

tion to set the speed of the next packet transmission. In addition, the TPB channel monitors the incoming cable common-mode voltage for the presence of the remotely supplied twisted-pair bias voltage. This monitor is called bias-detect.

The TPBIAS circuit monitors the value of incoming TPA pair common-mode voltage when local TPBIAS is inactive. Because this circuit has an internal current source and the connected node has a current sink, the monitored value indicates the cable connection status. This monitor is called connect-detect.

Both the TPB bias-detect monitor and TPBIAS connect-detect monitor are used in suspend/resume signaling and cable connection detection.

The PHY provides a 1.86 V nominal bias voltage for driver load termination. When seen through a cable by a remote receiver, this bias voltage indicates the presence of an active connection. The value of this bias voltage has been chosen to allow interoperability between transceiver chips operating from 5 V or 3 V nominal supplies. This bias voltage source should be stabilized by using an external filter capacitor of approximately 0.33  $\mu$ F.

The transmitter circuitry, the receiver circuitry, and the twisted-pair bias voltage circuitry are all disabled with a powerdown condition. The powerdown condition occurs when the PD input is high. The port transmitter circuitry, the receiver circuitry, and the TPBIAS output are also disabled when the port is disabled, suspended, or disconnected.

The line drivers in the PHY operate in a high-impedance current mode and are designed to work with external 112  $\Omega$  line-termination resistor networks. One network is provided at each end of each twisted-pair cable. Each network is composed of a pair of series-connected 56  $\Omega$  resistors. The midpoint of the pair of resistors that is directly connected to the twisted-pair A (TPA) signals is connected to the TPBIAS voltage signal. The midpoint of the pair of resistors that is directly connected to the twisted-pair B (TPB) signals is coupled to ground through a parallel RC network with recommended resistor and capacitor values of 5 k $\Omega$  and 220 pF, respectively. The value of the external resistors are specified to meet the *IEEE* 1394 standard specifications when connected in parallel with the internal receiver circuits.

The driver output current, along with other internal operating currents, is set by an external resistor. This resistor is connected between the R0 and R1 signals and has a value of 2.49 k $\Omega$   $\pm$  1%.

## **Description** (continued)

The FW801BF supports suspend/resume as defined in the *IEEE* 1394a-2000 specification. The suspend mechanism allows the FW801BF port to be put into a suspended state. In this state, the port is unable to transmit or receive data packets; however, it remains capable of detecting connection status changes and detecting incoming TPBias. When the FW801BF port is suspended, all circuits except the bias voltage reference generator and the bias detection circuits are powered down, resulting in significant power savings. The use of suspend/resume is recommended.

As an input, the C\_LKON signal indicates whether a node is a contender for bus manager. When the C\_LKON signal is asserted, it means the node is a contender for bus manager. When the signal is not asserted, it means that the node is not a contender. The C bit corresponds to bit 20 in the self-ID packet (see Section 4.3.4.1 of the *IEEE* 1394a-2000 standard for additional details).

The power class (Pwr\_class) bits of the self-ID packet have a default value of 4, i.e., power class 100. These bits can be read and modified through the LLC using Figure 5B-1 (PHY Register Map) of the *IEEE* 1394a-2000 standard. See Table 9 of this document for the address space of the Pwr\_class register.

A powerdown signal (PD) is provided to allow a powerdown mode where most of the PHY circuits are powered down to conserve energy in battery-powered applications. The internal logic in FW801BF is reset as long as the powerdown signal is asserted. A cable status signal (CNA) provides a high output when the twisted-pair cable port is receiving incoming bias voltage. This output is not debounced. The CNA output can be used to determine when to power the PHY down or up. In the powerdown mode, all circuitry is disabled except the CNA circuitry. It should be noted that when the device is powered down, it does not act in a repeater mode.

When the power supply of the PHY is removed while the twisted-pair cables are connected, the PHY transmitter and receiver circuitry is designed to present a high impedance to the cable in order to not load the TPBIAS signal voltage on the other end of the cable.

Whenever the TBA $\pm$ /TPB $\pm$  signals are wired to a connector, they must be terminated using the normal termination network (See Figure 4.). This is required for reliable operation. When the port does not have a cable connected, internal connect-detect circuitry will keep the port in a disconnected state.

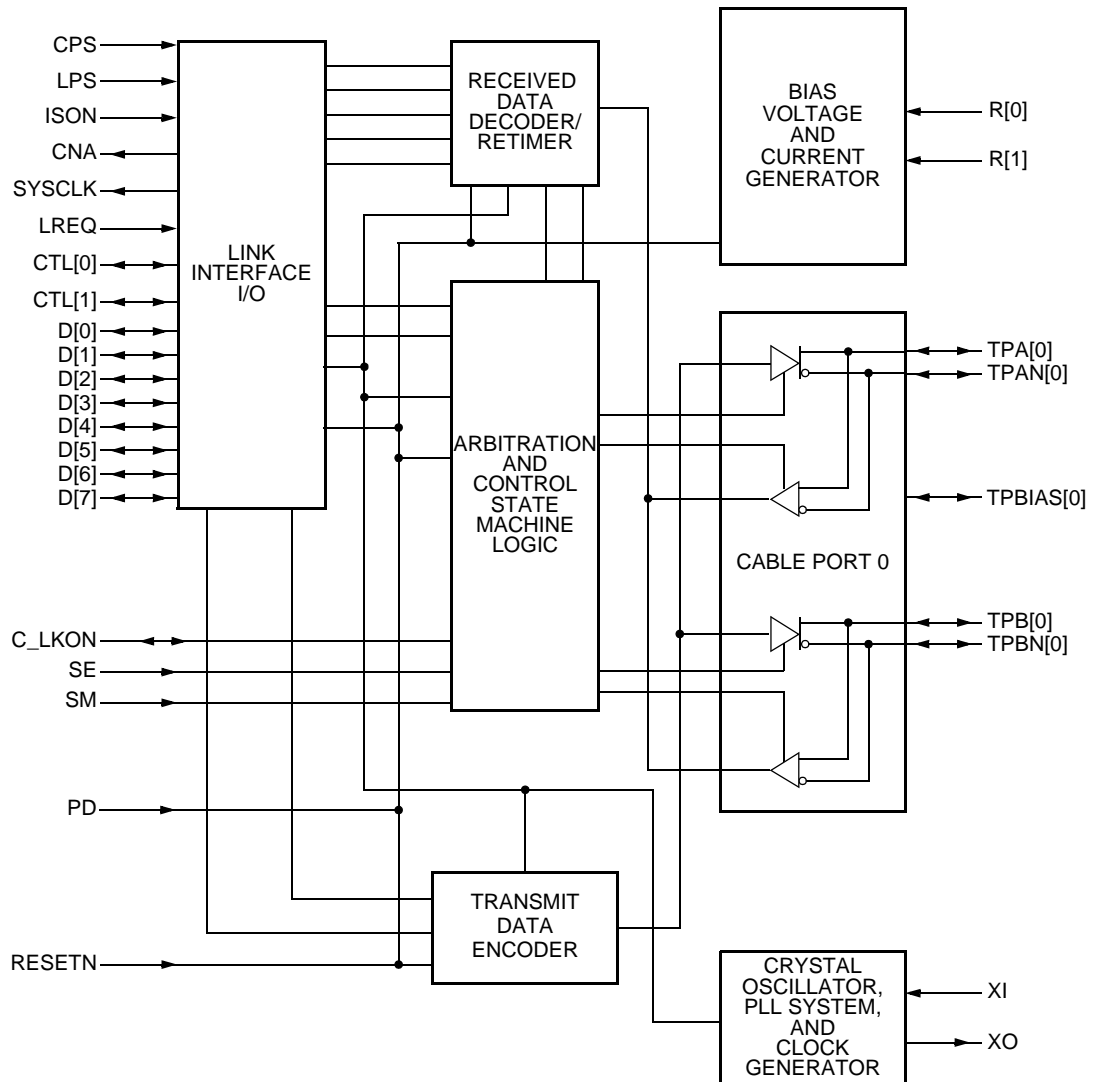
All gap counts on all nodes of a 1394 bus must be identical. The software accomplishes this by issuing PHY configuration packets (see Section 4.3.4.3 of the *IEEE* 1394a-2000 standard) or by issuing two bus resets, which resets the gap counts to the maximum level (3Fh).

The link power status (LPS) signal works with the C\_LKON signal to manage the LLC power usage of the node. The LPS signal indicates that the LLC of the node is powered up or powered down. If LPS is inactive for more than 1.2  $\mu$ s and less than 25  $\mu$ s, the PHY/link interface is reset. If LPS is inactive for greater than 25  $\mu$ s, the PHY will disable the PHY/link interface to save power. FW801BF continues its repeater function even when the PHY/link interface is disabled. If the PHY then receives a link-on packet, the C\_LKON signal is activated to output a 6.114 MHz signal that can be used by the LLC to power itself up. Once the LLC is powered up, the LPS signal communicates this to the PHY and the PHY/link interface is enabled. C\_LKON signal is turned off when LPS is active or when a bus reset occurs, provided the interrupt that caused C\_LKON is not present.

When the PHY/link interface is in the disabled state, the FW801BF will automatically enter a low-power mode if all ports are inactive (disconnected, disabled, or suspended). In this low-power mode, the FW801BF disables its PLL and also disables parts of its reference circuitry depending on the state of the port (some reference circuitry must remain active in order to detect incoming TP bias). The lowest power consumption (the microlow-power sleep mode) is attained when the port is either disconnected or disabled with the port interrupt enable bit (See Table 12) cleared. The FW801BF will exit the low-power mode when the LPS input is asserted high or when a port event occurs that requires the FW801BF to become active in order to respond to the event or to notify the LLC of the event (e.g., incoming bias or disconnection is detected on a suspended port, a new connection is detected on a nondisabled port, etc.). When the FW801BF is in the low-power mode, the SYSCLK output will become active (and the PHY/link interface will be initialized and become operative) within 3 ms after LPS is asserted high.

Two of the FW801BF's signals are used to set up various test conditions used only during the device manufacturing process. These signals (SE and SM) should be connected to Vss for normal operation.

Description (continued)

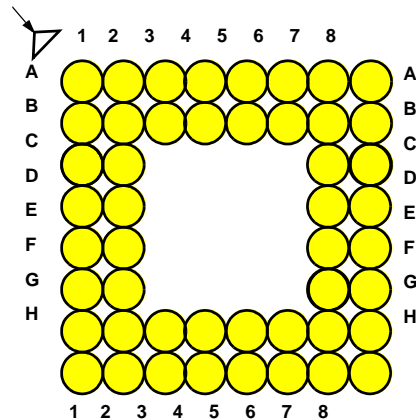


5-5459.e (F)

Figure 1. Block Diagram

## Ball Information

A1 BALL PAD CORNER



Note: Refer to the outline drawing on page 24 for a bottom view.

5-8117

Figure 2. FW801BF Ball Diagram (48-Ball TFSBGAC) Top View

Table 1. FW801BF (48-Ball TFSBGAC) Ball Coordination Table

Ball Number	Ball Name	Ball Number	Ball Name	Ball Number	Ball Name	Ball Number	Ball Name
A1	CTL[0]	B5	VDD	E1	D[5]	G5	VSS
A2	LREQ	B6	R[1]	E2	D[3]	G6	VSS
A3	SYCLK	B7	VSSA	E7	SE	G7	VDDA
A4	XO	B8	Not Used	E8	Not Used	G8	TPAN[0]
A5	XI	C1	D[1]	F1	D[7]	H1	CNA
A6	Vss	C2	D[0]	F2	D[4]	H2	VDD
A7	R[0]	C7	VDDA	F7	VSSA	H3	PD
A8	Not Used	C8	Not Used	F8	TPA[0]	H4	ISON
B1	CTL[1]	D1	D[2]	G1	LPS	H5	CPS
B2	RESETN	D2	VDD	G2	D[6]	H6	SM
B3	VssPLL	D7	TPBIAS[0]	G3	Vss	H7	TPB[0]
B4	VDDPLL	D8	Not Used	G4	C_LKON	H8	TPBN[0]

## Signal Information

Table 2. Signal Descriptions

Ball Number	Signal*	Type	Name/Description
G4	C_LKON	I/O	<p><b>Bus Manager Capable Input and Link-On Output.</b> On hardware reset (RESETN), this ball is used to set the default value of the contender status indicated during self-ID. The bit value programming is done by tying the signal through a 10 k<math>\Omega</math> resistor to V<sub>DD</sub> (high, bus manager capable) or to GND (low, not bus manager capable). Using either the pull-up or pull-down resistor allows the link-on output to override the input value when necessary.</p> <p>After hardware reset, this ball is set as an output. If the LPS is inactive, C_LKON indicates one of the following events by asserting a 6.114 MHz signal.</p> <ol style="list-style-type: none"> <li>1. FW801BF receives a link-on packet addressed to this node.</li> <li>2. Port_event register bit is 1.</li> <li>3. Any of the Timeout, Pwr_fail, or Loop register bits are 1 and the Watchdog register bit is also 1.</li> <li>4. Once activated, the C_LKON output will continue active until the LPS becomes active. The PHY also deasserts the C_LKON output when a 1394 bus reset occurs, if the C_LKON is active due solely to the reception of a link-on packet.</li> </ol> <p><b>Note:</b> If an interrupt condition exists that would otherwise cause the C_LKON output to be activated if the LPS were inactive, the C_LKON output will be activated when the LPS subsequently becomes inactive.</p>
H1	CNA	O	<p><b>Cable-Not-Active Output.</b> CNA is asserted high when none of the PHY ports are receiving an incoming bias voltage. This circuit remains active during the powerdown mode.</p>
H5	CPS	I	<p><b>Cable Power Status.</b> CPS is normally connected to the cable power through a 400 k<math>\Omega</math> resistor. This circuit drives an internal comparator that detects the presence of cable power. This information is maintained in one internal register and is available to the LLC by way of a register read (see Table 9, address register 00002, bit 7/PS). In applications that do not sink or source 1394 power (VP), this ball can be tied to ground.</p> <p><b>Note:</b> When this ball is grounded, the Pwr_fail bit in PHY register 01012 will be set.</p>
A1	CTL[0]	I/O	<p><b>Control I/O.</b> The CTL<sub>n</sub> signals are bidirectional communications control signals between the PHY and the LLC. These signals control the passage of information between the two devices. Bus-keeper circuitry is built into these terminals.</p>
B1	CTL[1]		
C1, C2, D1, E1, E2, F1, F2, G2	D[0:7]	I/O	<p><b>Data I/O.</b> The D<sub>n</sub> signals are bidirectional and pass data between the PHY and the LLC. Bus-keeper circuitry is built into these terminals.</p>

\* Active-low signals are indicated by "N" at the end of signal names, within this document.

Signal Information (continued)

Table 2. Signal Descriptions (continued)

Ball Number	Signal*	Type	Name/Description
H4	ISON	I	<b>Link Interface Isolation Disable Input (Active-Low).</b> ISON controls the operation of an internal pulse differentiating function used on the PHY-LLC interface signals, CTLn and Dn, when they operate as outputs. When ISON is asserted low, the isolation barrier is implemented between PHY and its LLC (as described in Annex J of <i>IEEE 1394-1995</i> ). ISON is normally tied high to disable isolation differentiation. Bus-keepers are enabled when ISON is high (inactive) on CTLn, Dn, and LREQ. When ISON is low (active), the bus-keepers are disabled. Please refer to Agere's application note, <i>1394 Isolation (AP05-014CMPR)</i> for more information.
G1	LPS	I	<b>Link Power Status.</b> LPS is connected to either the VDD supplying the LLC or to a pulsed output that is active when the LLC is powered for the purpose of monitoring the LLC power status. If LPS is inactive for more than 1.2 $\mu$ s and less than 25 $\mu$ s, the PHY-link interface is reset. If LPS is inactive for greater than 25 $\mu$ s, the PHY will disable the PHY/link interface to save power. FW801BF continues its repeater function.
A2	LREQ	I	<b>Link Request.</b> LREQ is an output from the LLC that requests the PHY to perform some service. Bus-keeper circuitry is built into this terminal.
H3	PD	I	<b>Powerdown.</b> When asserted high, PD turns off all internal circuitry except the bias-detect circuits that drive the CNA signal. Internal FW801BF logic is kept in the reset state as long as PD is asserted. The PD terminal is provided for backward compatibility. It is recommended that the FW801BF be allowed to manage its own power consumption using suspend/resume in conjunction with LPS. C_LKON features are defined in the <i>IEEE 1394a-2000</i> specification.
B4	VDDPLL	—	<b>Power for PLL Circuit.</b> VDDPLL supplies power to the PLL circuitry portion of the device.
B3	VSSPLL	—	<b>Ground for PLL Circuit.</b> VSSPLL is tied to a low-impedance ground plane.
A7	R[0]	I	<b>Current Setting Resistor.</b> An internal reference voltage is applied to a resistor connected between R0 and R1 to set the operating current and the cable driver output current. A low temperature-coefficient resistor (TCR) with a value of 2.49 k $\Omega$ $\pm$ 1% should be used to meet the <i>IEEE 1394-1995</i> standard requirements for output voltage limits.
B6	R[1]		
B2	RESETN	I	<b>Reset (Active-Low).</b> When RESETN is asserted low (active), a 1394 bus reset condition is set on the active cable port and the FW801BF is reset to the reset start state. To guarantee that the PHY will reset, this ball must be held low for at least 2 ms. An internal pull-up resistor connected to VDD is provided so that only an external delay capacitor (0.1 $\mu$ F) and resistor (510 k $\Omega$ ) in parallel, are required to connect this ball to ground. This circuitry will ensure that the capacitor will be discharged when PHY power is removed. The input is a standard logic buffer and can also be driven by an open-drain logic output buffer. Do not leave this ball unconnected.
E7	SE	I	<b>Test Mode Control.</b> SE is used during Agere's manufacturing test and should be tied to VSS for normal operation.

\* Active-low signals are indicated by "N" at the end of signal names, within this document.



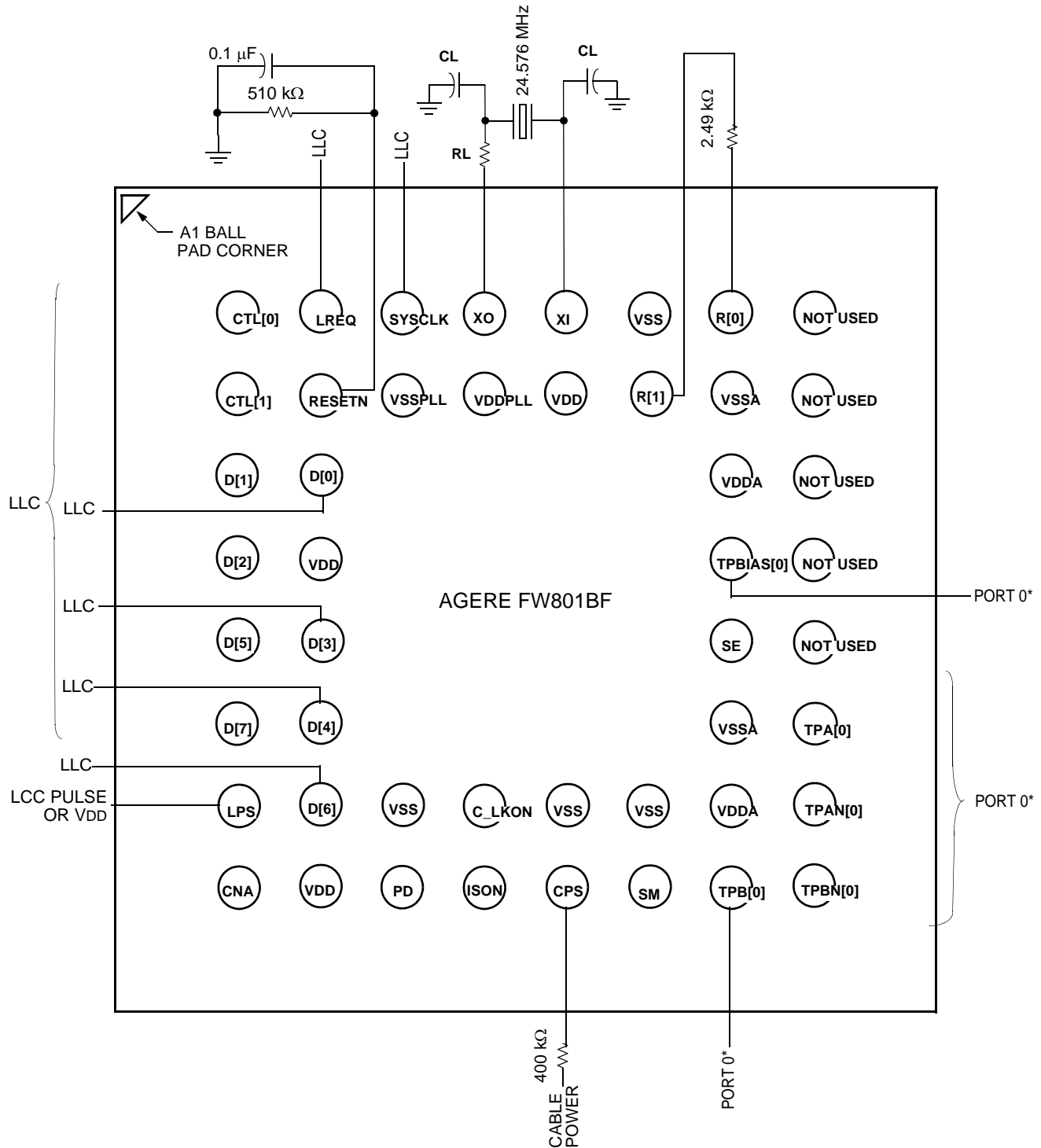
Signal Information (continued)

Table 2. Signal Descriptions (continued)

Ball Number	Signal*	Type	Name/Description
H6	SM	I	<b>Test Mode Control.</b> SM is used during Agere's manufacturing test and should be tied to VSS for normal operation.
A3	SYSCLK	O	<b>System Clock.</b> SYSCLK provides a 49.152 MHz clock signal, which is synchronized with the data transfers to the LLC.
F8	TPA[0]	Analog I/O	<b>Port0, Port Cable Pair A.</b> TPA0± is the port A connection to the twisted-pair cable. Board traces from each pair of positive and negative differential signal balls should be kept as short as possible and matched to the external load resistors and to the cable connector.
G8	TPAN[0]		
H7	TPB[0]	Analog I/O	<b>Port0, Port Cable Pair B.</b> TPB0± is the port B connection to the twisted-pair cable. Board traces from each pair of positive and negative differential signal balls should be kept as short as possible and matched to the external load resistors and to the cable connector.
H8	TPBN[0]		
D7	TPBIAS[0]	Analog I/O	<b>Port0, Twisted-Pair Bias.</b> TPBIAS provides the 1.86 V nominal bias voltage needed for proper operation of the twisted-pair cable drivers and receivers and for sending a valid cable connection signal to the remote nodes.
B5, D2, H2	VDD	—	<b>Digital Power.</b> VDD supplies power to the digital portion of the device.
C7, G7	VDDA	—	<b>Analog Circuit Power.</b> VDDA supplies power to the analog portion of the device.
A6, G3, G5, G6	VSS	—	<b>Digital Ground.</b> All VSS signals should be tied to the low-impedance ground plane.
B7, F7	VSSA	—	<b>Analog Circuit Ground.</b> All VSSA signals should be tied together to a low-impedance ground plane.
A5	XI	—	<b>Crystal Oscillator.</b> XI and XO connect to a 24.576 MHz parallel resonant fundamental mode crystal. Although, when a 24.576 MHz clock source is used, it can be connected to XI with XO left unconnected. The optimum values for the external load capacitors and resistor are dependent on the specifications of the crystal used. It is necessary to add an external series resistor (RL) to the XO ball (see Figures 3 and 5). For more details, refer to the Crystal Selection Considerations section in this data sheet. Note that it is very important to place the crystal as close as possible to the XO and XI balls, i.e., within 0.5 in./1.27 cm.
A4	XO		

\* Active-low signals are indicated by "N" at the end of signal names, within this document.

Application Information

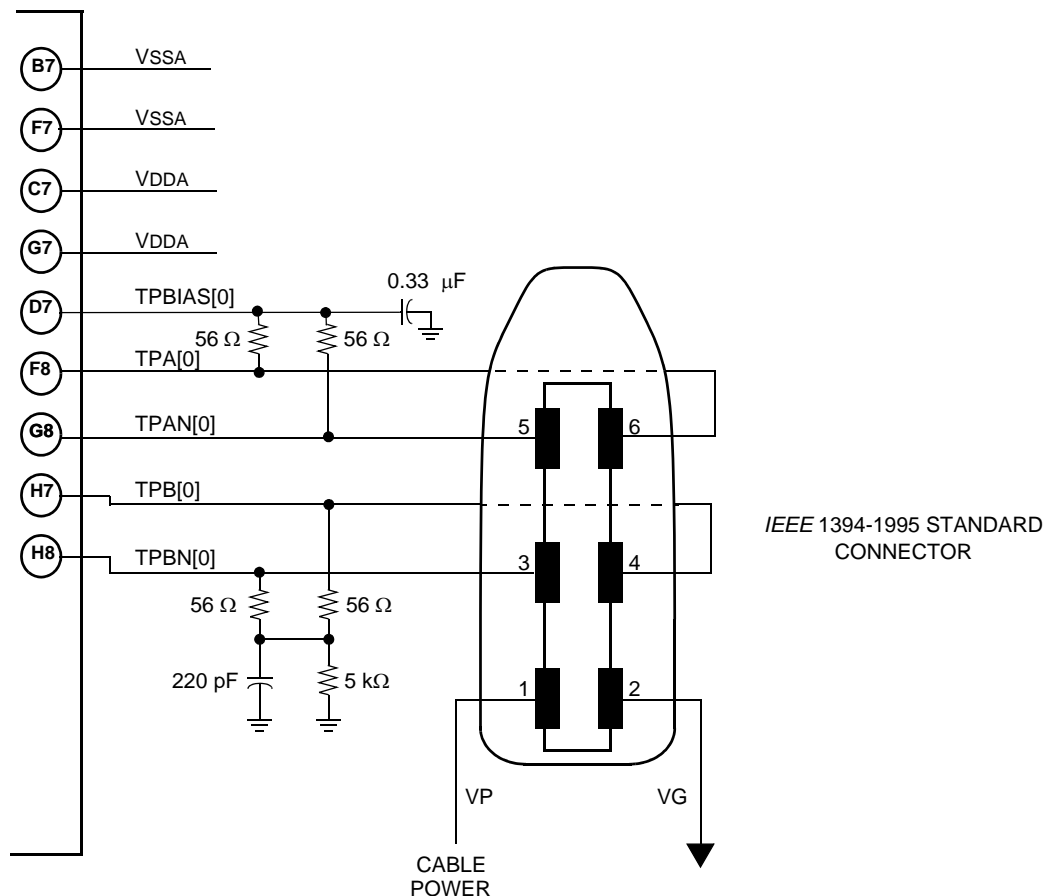


5-6767.a (F)

\* See Figure 4 for typical port termination network.

Figure 3. Typical External Component Connections

Application Information (continued)



5-7654 (F)

Figure 4. Typical Port Termination Network

Crystal Selection Considerations

The FW801BF is designed to use an external 24.576 MHz parallel resonant fundamental mode crystal connected between the XI and XO terminals to provide the reference for an internal oscillator circuit. The *IEEE* 1394a-2000 standard requires that FW801BF have less than  $\pm 100$  ppm total variation from the nominal data rate, which is directly influenced by the crystal. To achieve this, it is recommended that an oscillator with a nominal 50 ppm or less frequency tolerance be used.

The total frequency variation must be kept below  $\pm 100$  ppm from nominal with some allowance for error introduced by board and device variations. Trade-offs between frequency tolerance and stability may be made as long as the total frequency variation is less than  $\pm 100$  ppm.

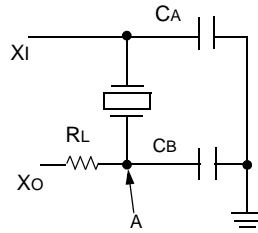
## Crystal Selection Considerations (continued)

### Load Capacitance

The frequency of oscillation is dependent upon the load capacitance specified for the crystal, in parallel resonant mode crystal circuits. Total load capacitance ( $C_L$ ) is a function of not only the discrete load capacitors, but also capacitances from the FW801BF board traces and capacitances of the other FW801BF connected components.

The values for load capacitors ( $C_A$  and  $C_B$ ) should be calculated using this formula:

$$C_A = C_B = (C_L - C_{stray}) \times 2$$



Where:

$C_L$  = load capacitance specified by the crystal manufacturer.

$C_{stray}$  = capacitance of the board and the FW801BF, typically 2 pF—3 pF.

$R_L$  = load resistance; the value of  $R_L$  is dependent on the specific crystal used. Please refer to your crystal manufacturer's data sheet and application notes to determine an appropriate value.

**Figure 5. Crystal Circuitry**

### Adjustment to Crystal Loading

The resistor ( $R_L$ ) in Figure 5 is recommended for fine-tuning the crystal circuit. The value for this resistor is dependent on the specific crystal used. Please refer to your crystal manufacturer's data sheet and application notes to determine an appropriate value for  $R_L$ . A more precise value for this resistor can be obtained by placing different values of  $R_L$  on a production board and using an oscilloscope to view the resultant clock waveform at node A for each resistor value. The desired waveform should have the following characteristics: the waveform should be sinusoidal, with an amplitude as large as possible but not greater than 3.3 V or less than 0 volts.

### Crystal/Board Layout

The layout of the crystal portion of the PHY circuit is important for obtaining the correct frequency and minimizing noise introduced into the FW801BF PLL. The crystal and two load capacitors ( $C_A + C_B$ ) should be considered as a unit during layout. They should be placed as close as possible to one another, while minimizing the loop area created by the combination of the three components. Minimizing the loop area minimizes the effect of the resonant current that flows in this resonant circuit. This layout unit (crystal and load capacitors) should then be placed as close as possible to the PHY XI and XO terminals to minimize trace lengths. Vias should not be used to route the XI and XO signals.

## 1394 Application Support Contact Information

E-mail: support1394@agere.com

## Absolute Maximum Ratings

Stresses in excess of the absolute maximum ratings can cause permanent damage to the device. These are absolute stress ratings only. Functional operation of the device is not implied at these or any other conditions in excess of those given in the operational sections of the data sheet. Exposure to absolute maximum ratings for extended periods can adversely affect device reliability.

**Table 3. Absolute Maximum Ratings**

Parameter	Symbol	Min	Max	Unit
Supply Voltage Range	VDD	3.0	3.6	V
Input Voltage Range*	VI	-0.5	VDD + 0.5	V
Output Voltage Range at Any Output	VO	-0.5	VDD + 0.5	V
Operating Free Air Temperature	TA	0	70	°C
Storage Temperature Range	Tstg	-65	150	°C

\* Except for 5 V tolerant I/O (CTL0, CTL1, D0—D7, and LREQ) where VI max = 5.5 V.

## Electrical Characteristics

Table 4. Analog Characteristics

Parameter	Test Conditions	Symbol	Min	Typ	Max	Unit
Supply Voltage	Source power node	VDD—SP	3.0	3.3	3.6	V
Differential Input Voltage	Cable inputs, 100 Mbits/s operation	VID—100	142	—	260	mV
	Cable inputs, 200 Mbits/s operation	VID—200	132	—	260	mV
	Cable inputs, 400 Mbits/s operation	VID—400	100	—	260	mV
	Cable inputs, during arbitration	VID—ARB	168	—	265	mV
Common-mode Voltage Source Power Mode	TPB cable inputs, speed signaling off	VCM	1.165	—	2.515	V
	TPB cable inputs, S100 speed signaling on	VCM—SP—100	1.165	—	2.515	V
	TPB cable inputs, S200 speed signaling on	VCM—SP—200	0.935	—	2.515	V
	TPB cable inputs, S400 speed signaling on	VCM—SP—400	0.532	—	2.515	V
Common-mode Voltage Nonsource Power Mode*	TPB cable inputs, speed signaling off	VCM	1.165	—	2.015	V
	TPB cable inputs, S100 speed signaling on	VCM—NSP—100	1.165	—	2.015	V
	TPB cable inputs, S200 speed signaling on	VCM—NSP—200	0.935	—	2.015	V
	TPB cable inputs, S400 speed signaling on	VCM—NSP—400	0.532	—	2.015	V
Receive Input Jitter	TPA, TPB cable inputs, 100 Mbits/s operation	—	—	—	1.08	ns
	TPA, TPB cable inputs, 200 Mbits/s operation	—	—	—	0.5	ns
	TPA, TPB cable inputs, 400 Mbits/s operation	—	—	—	0.315	ns
Receive Input Skew	Between TPA and TPB cable inputs, 100 Mbits/s operation	—	—	—	0.8	ns
	Between TPA and TPB cable inputs, 200 Mbits/s operation	—	—	—	0.55	ns
	Between TPA and TPB cable inputs, 400 Mbits/s operation	—	—	—	0.5	ns
Positive Arbitration Comparator Input Threshold Voltage	—	VTH+	89	—	168	mV
Negative Arbitration Comparator Input Threshold Voltage	—	VTH—	—168	—	—89	mV
Speed Signal Input Threshold Voltage	200 Mbits/s	VTH—S200	45	—	139	mV
	400 Mbits/s	VTH—S400	266	—	445	mV
Output Current	TPBIAS outputs	IO	—5	—	2.5	mA
TPBIAS Output Voltage	At rated I/O current	VO	1.665	—	2.015	V
Current Source for Connect Detect Circuit	—	ICD	—	—	76	μA

\* For a node that does not source power (see Section 4.2.2.2 in IEEE 1394-1995 Standard).

**Electrical Characteristics** (continued)

**Table 5. Driver Characteristics**

Parameter	Test Conditions	Symbol	Min	Typ	Max	Unit
Differential Output Voltage	56 $\Omega$ load	V <sub>OD</sub>	172	—	265	mV
Off-state Common-mode Voltage	Drivers disabled	V <sub>OFF</sub>	—	—	20	mV
Driver Differential Current, TPA, TPAN, TPB, TPBN	Driver enabled, speed signaling off*	I <sub>DIFF</sub>	-1.05	—	1.05	mA
Common-mode Speed Signaling Current, TPB, TPBN	200 Mbits/s speed signaling enabled <sup>†</sup>	ISP	-2.53	—	4.84	mA
	400 Mbits/s speed signaling enabled <sup>†</sup>	ISP	-8.1	—	-12.4	mA

\* Limits are defined as the algebraic sum of TPA+ and TPA- driver currents. Limits also apply to TPB+ and TPB- as the algebraic sum of driver currents.

† Limits are defined as the absolute limit of each of TPB+ and TPB- driver currents.

Electrical Characteristics (continued)

Table 6. Device Characteristics

Parameter	Test Conditions	Symbol	Min	Typ	Max	Unit
Supply Current: One Port Active	VDD = 3.3 V	IDD	—	54	—	mA
No Ports Active (Microlow-power Sleep Mode), LPS = 0		IDD	—	50	—	μA
PD = 1		IDD	—	50	—	μA
High-level Output Voltage	Electrical Characteristics (continued) IOH max, VDD = min	VOH	VDD – 0.4	—	—	V
Low-level Output Voltage	IOL min, VDD = max	VOL	—	—	0.4	V
High-level Input Voltage	CMOS inputs	VIH	0.7 VDD	—	—	V
Low-level Input Voltage	CMOS inputs	VIL	—	—	0.2 VDD	V
Pull-up Current, RESETN Input	VI = 0 V	II	11	—	32	μA
Powerup Reset Time, RESETN Input	VI = 0 V	—	2	—	—	ms
Rising Input Threshold Voltage RESETN Input	—	VIRST	1.1	—	1.4	V
Output Current	SYSClk	IOL/IOH @ TTL	–16	—	16	mA
	Control, data	IOL/IOH @ CMOS	–12	—	12	mA
	CNA	IOL/IOH	–16	—	16	mA
	C_LKON	IOL/IOH	–2	—	2	mA
Input Current, LREQ, LPS, PD, SE, SM, PC[0:2] Inputs	VI = VDD or 0 V	II	—	—	°±1	μA
Off-state Output Current, CTL[0:1], D[0:7], C_LKON I/Os	VO = VDD or 0 V	Ioz	—	—	°±5	μA
Power Status Input Threshold Voltage, CPS Input	400 kΩ resistor	VTH	7.5	—	8.5	V
Rising Input Threshold Voltage*, LREQ, CTLn, Dn	—	VIT+	VDD/2 + 0.3	—	VDD/2 + 0.8	V
Falling Input Threshold Voltage*, LREQ, CTLn, Dn	—	VIT–	VDD/2 – 0.8	—	VDD/2 – 0.3	V
Bus Holding Current, LREQ, CTLn, Dn	VI = 1/2(VDD)	—	250	—	550	μA
Rising Input Threshold Voltage LPS	—	VLIH	—	—	0.24 VDD + 1	V
Falling Input Threshold Voltage LPS	—	VLIL	0.24 VDD + 0.2	—	—	V

\* Device is capable of both differentiated and undifferentiated operation.



## Timing Characteristics

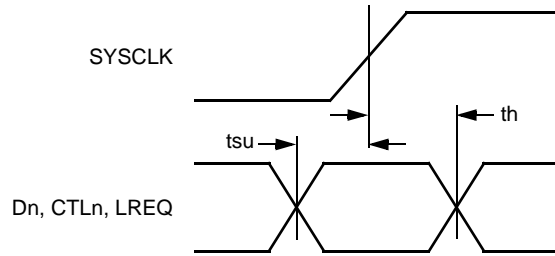
Table 7. Switching Characteristics

Symbol	Parameter	Measured	Test Conditions	Min	Typ	Max	Unit
—	Jitter, Transmit	TPA, TPB	—	—	—	0.15	ns
—	Transmit Skew	Between TPA and TPB	—	—	—	±0.1	ns
tr	Rise Time, Transmit (TPA/TPB)	10% to 90%	R <sub>I</sub> = 56 Ω, C <sub>I</sub> = 10 pF	—	—	1.2	ns
tf	Fall Time, Transmit (TPA/TPB)	90% to 10%	R <sub>I</sub> = 56 Ω, C <sub>I</sub> = 10 pF	—	—	1.2	ns
tsu	Setup Time, D <sub>n</sub> , CTL <sub>n</sub> , LREQ↑↓ to SYSCLK↑	50% to 50%	See Figure .	6	—	—	ns
th	Hold Time, D <sub>n</sub> , CTL <sub>n</sub> , LREQ↑↓ from SYSCLK↑	50% to 50%	See Figure .	0	—	—	ns
td	Delay Time, SYSCLK↑ to D <sub>n</sub> , CTL <sub>n</sub> ↑↓	50% to 50%	See Figure 7.	1	—	6	ns

Table 8. Clock Characteristics

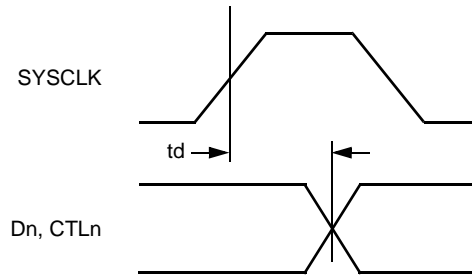
Parameter	Symbol	Min	Typ	Max	Unit
External Clock Source Frequency	f	24.5735	24.5760	24.5785	MHz

## Timing Waveforms



5-6017.a (F)

Figure 6. Dn, CTLn, and LREQ Input Setup and Hold Times Waveforms



5-6018.a (F)

Figure 7. Dn, CTLn Output Delay Relative to SYSCLK Waveforms

## Internal Register Configuration

The PHY register map is shown below in Table 9. (Refer to *IEEE* 1394a-2000, 5B.1 for more information.)

**Table 9. PHY Register Map for the Cable Environment**

Address	Contents							
	Bit 0	Bit 1	Bit 2	Bit 3	Bit 4	Bit 5	Bit 6	Bit 7
00002	Physical_ID						R	PS
00012	RHB	IBR	Gap_count					
00102	Extended (7)			XXXXXX	Total_ports			
00112	Max_speed			XXXXXX	Delay			
01002	LCtrl	Contender	Jitter			Pwr_class		
01012	Watchdog	ISBR	Loop	Pwr_fail	Timeout	Port_event	Enab_accel	Enab_multi
01102	XXXXXX	XXXXXX	XXXXXX	XXXXXX	XXXXXX	XXXXXX	XXXXXX	XXXXXX
01112	Page_select			XXXXXX	Port_select			
10002	Register 0 Page_select							
⋮	⋮							
11112	Register 7 Page_select							

REQUIRED       RESERVED

The meanings of the register fields within the PHY register map are defined by Table 10 below. Power reset values not specified are resolved by the operation of the PHY state machines subsequent to a power reset.

**Table 10. PHY Register Fields for the Cable Environment**

Field	Size	Type	Power Reset Value	Description
Physical_ID	6	r	000000	The address of this node determined during self-identification. A value of 63 indicates a malconfigured bus; the link will not transmit any packets.
R	1	r	0	When set to one, indicates that this node is the root.
PS	1	r	—	Cable power active.
RHB	1	rw	0	Root hold-off bit. When set to one, the force_root variable is TRUE, which instructs the PHY to attempt to become the root during the next tree identify process.
IBR	1	rw	0	Initiate bus reset. When set to one, instructs the PHY to set ibr TRUE and reset_time to RESET_TIME. These values in turn cause the PHY to initiate a bus reset without arbitration; the reset signal is asserted for 166 μs. This bit is self-clearing.
Gap_count	6	rw	3F16	Used to configure the arbitration timer setting in order to optimize gap times according to the topology of the bus. See Section 4.3.6 of <i>IEEE</i> Standard 1394a-2000 for the encoding of this field.
Extended	3	r	111	This field has a constant value of seven, which indicates the extended PHY register map.

Internal Register Configuration (continued)

Table 10. PHY Register Fields for the Cable Environment (continued)

Field	Size	Type	Power Reset Value	Description
Total_ports	4	r	0001	The number of ports implemented by this PHY. This count reflects the number.
Max_speed	3	r	010	Indicates the speed(s) this PHY supports: 0002 = 98.304 Mbits/s 0012 = 98.304 and 196.608 Mbits/s 0102 = 98.304, 196.608, and 393.216 Mbits/s 0112 = 98.304, 196.608, 393.216, and 786.43 Mbits/s 1002 = 98.304, 196.608, 393.216, 786.432, and 1,572.864 Mbits/s 1012 = 98.304, 196.608, 393.216, 786.432, 1,572.864, and 3,145.728 Mbits/s All other values are reserved for future definition.
Delay	4	r	0000	Worst-case repeater delay, expressed as $144 + (\text{delay} * 20)$ ns.
LCtrl	1	rw	1	Link active. Cleared or set by software to control the value of the L bit transmitted in the node's self-ID packet 0, which will be the logical AND of this bit and LPS active.
Contender	1	rw	See description.	Cleared or set by software to control the value of the C bit transmitted in the self-ID packet. Powerup reset value is set by C_LKON ball.
Jitter	3	r	000	The difference between the fastest and slowest repeater data delay, expressed as $(\text{jitter} + 1) * 20$ ns.
Pwr_class	3	rw	100	Power class. Controls the value of the pwr field transmitted in the self-ID packet. See Section 4.3.4.1 of <i>IEEE Standard 1394a-2000</i> for the encoding of this field.
Watchdog	1	rw	0	When set to one, the PHY will set Port_event to one if resume operations commence for any port.
ISBR	1	rw	0	Initiate short (arbitrated) bus reset. A write of one to this bit instructs the PHY to set ISBR true and reset_time to SHORT_RESET_TIME. These values in turn cause the PHY to arbitrate and issue a short bus reset. This bit is self-clearing.
Loop	1	rw	0	Loop detect. A write of one to this bit clears it to zero.
Pwr_fail	1	rw	1	Cable power failure detect. Set to one when the PS bit changes from one to zero. A write of one to this bit clears it to zero.
Timeout	1	rw	0	Arbitration state machine timeout. A write of one to this bit clears it to zero (see MAX_ARB_STATE_TIME).
Port_event	1	rw	0	Port event detect. The PHY sets this bit to one if any of connected, bias, disabled, or fault change for a port whose Int_enable bit is one. The PHY also sets this bit to one if resume operations commence for any port and Watchdog is one. A write of one to this bit clears it to zero.

Internal Register Configuration (continued)

Table 10. PHY Register Fields for the Cable Environment (continued)

Field	Size	Type	Power Reset Value	Description
Enab_accel	1	rw	0	Enable arbitration acceleration. When set to one, the PHY will use the enhancements specified in Section 4.4 of 1394a-2000 specification. PHY behavior is unspecified if the value of Enab_accel is changed while a bus request is pending.
Enab_multi	1	rw	0	Enable multispeed packet concatenation. When set to one, the link will signal the speed of all packets to the PHY.
Page_select	3	rw	000	Selects which of eight possible PHY register pages are accessible through the window at PHY register addresses 10002 through 11112, inclusive.
Port_select	4	rw	0000	If the page selected by Page_select presents per-port information, this field selects which port's registers are accessible through the window at PHY register addresses 10002 through 11112, inclusive. Ports are numbered monotonically starting at zero, p0.

The port status page is used to access configuration and status information for each of the PHY's ports. The port is selected by writing zero to Page\_select and the desired port number to Port\_select in the PHY register at address 01112. The format of the port status page is illustrated by Table 11 below; reserved fields are shown shaded. The meanings of the register fields with the port status page are defined by Table 12.

Table 11. PHY Register Page 0: Port Status Page

Address	Contents							
	Bit 0	Bit 1	Bit 2	Bit 3	Bit 4	Bit 5	Bit 6	Bit 7
10002	AStat		BStat		Child	Connected	Bias	Disabled
10012	Negotiated_speed			Int_enable	Fault	XXXXX	XXXXX	XXXXX
10102	XXXXX	XXXXX	XXXXX	XXXXX	XXXXX	XXXXX	XXXXX	XXXXX
10112	XXXXX	XXXXX	XXXXX	XXXXX	XXXXX	XXXXX	XXXXX	XXXXX
11002	XXXXX	XXXXX	XXXXX	XXXXX	XXXXX	XXXXX	XXXXX	XXXXX
11012	XXXXX	XXXXX	XXXXX	XXXXX	XXXXX	XXXXX	XXXXX	XXXXX
11102	XXXXX	XXXXX	XXXXX	XXXXX	XXXXX	XXXXX	XXXXX	XXXXX
11112	XXXXX	XXXXX	XXXXX	XXXXX	XXXXX	XXXXX	XXXXX	XXXXX

REQUIRED

XXXXX RESERVED

## Internal Register Configuration (continued)

The meaning of the register fields with the port status page are defined by Table 12 below.

**Table 12. PHY Register Port Status Page Fields**

Field	Size	Type	Power Reset Value	Description
AStat	2	r	—	TPA line state for the port: 00 <sub>2</sub> = invalid 01 <sub>2</sub> = 1 10 <sub>2</sub> = 0 11 <sub>2</sub> = Z
BStat	2	r	—	TPB line state for the port (same encoding as AStat).
Child	1	r	0	If equal to one, the port is a child; otherwise, a parent. The meaning of this bit is undefined from the time a bus reset is detected until the PHY transitions to state T1: Child Handshake during the tree identify process (see Section 4.4.2.2 in <i>IEEE Standard 1394-1995</i> ).
Connected	1	r	0	If equal to one, the port is connected.
Bias	1	r	0	If equal to one, incoming TPBIAS is detected.
Disabled	1	rw	0	If equal to one, the port is disabled.
Negotiated_speed	3	r	000	Indicates the maximum speed negotiated between this PHY port and its immediately connected port; the encoding is the same as for the PHY register Max_speed field.
Int_enable	1	rw	0	Enable port event interrupts. When set to one, the PHY will set Port_event to one if any of connected, bias, disabled, or fault (for this port) change state.
Fault	1	rw	0	Set to one if an error is detected during a suspend or resume operation. A write of one to this bit clears it to zero.

### Internal Register Configuration (continued)

The vendor identification page is used to identify the PHY's vendor and compliance level. The page is selected by writing one to Page\_select in the PHY register at address 01112. The format of the vendor identification page is shown in Table 13; reserved fields are shown shaded.

**Table 13. PHY Register Page 1: Vendor Identification Page**

Address	Contents							
	Bit 0	Bit 1	Bit 2	Bit 3	Bit 4	Bit 5	Bit 6	Bit 7
10002	Compliance_level							
10012	XXXXXX	XXXXXX	XXXXXX	XXXXXX	XXXXXX	XXXXXX	XXXXXX	XXXXXX
10102								
10112	Vendor_ID							
11002								
11012	Product_ID							
11102								
11112								

REQUIRED      XXXXXX RESERVED

The meaning of the register fields within the vendor identification page are defined by Table 14.

**Table 14. PHY Register Vendor Identification Page Fields**

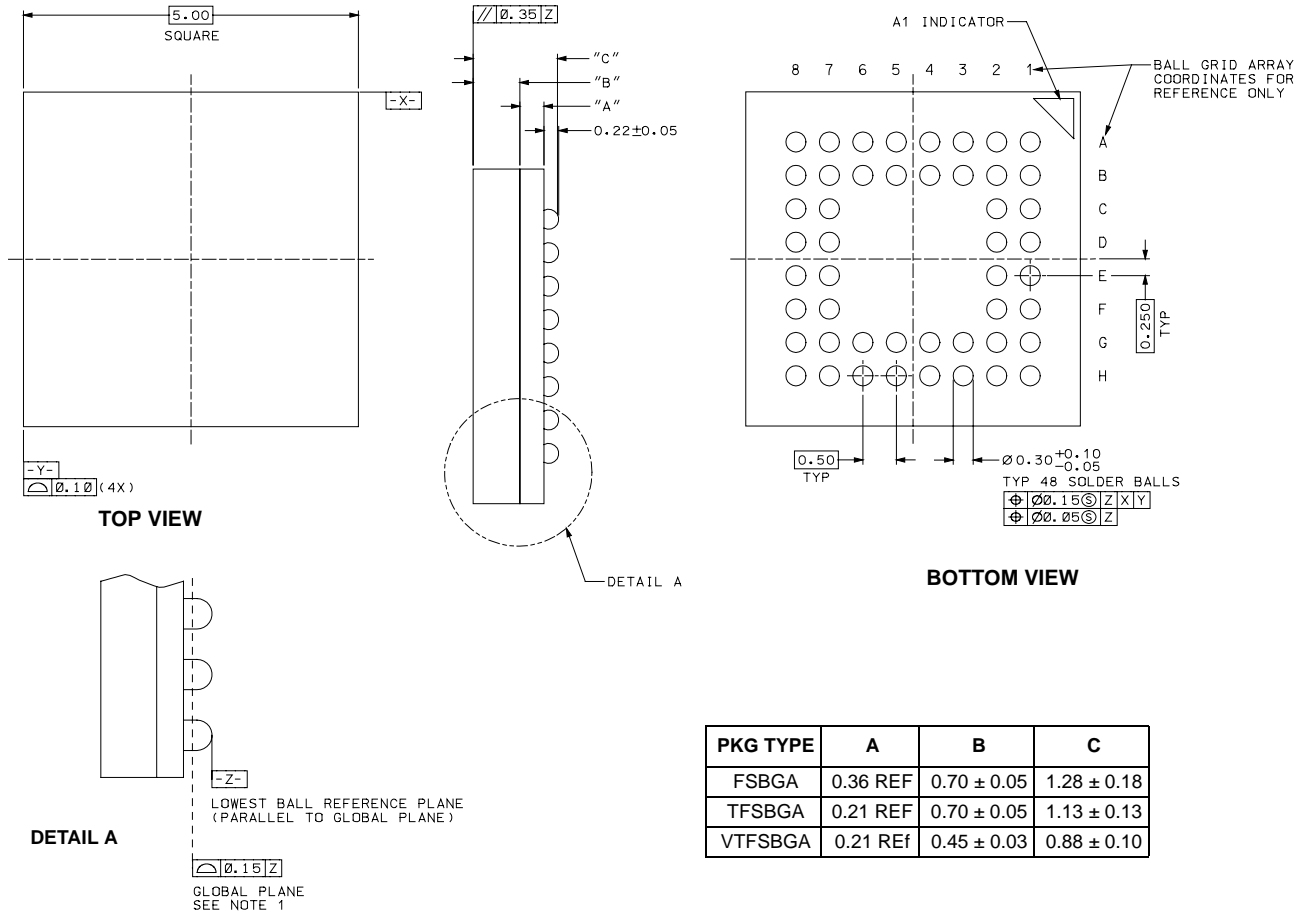
Field	Size	Type	Description
Compliance_level	8	r	Standard to which the PHY implementation complies: 0 = not specified. 1 = <i>IEEE 1394a-2000</i> . Agere's FW801BF compliance level is 1. All other values reserved for future standardization.
Vendor_ID	24	r	The company ID or organizationally unique identifier (OUI) of the manufacturer of the PHY. Agere's vendor ID is 00601D16. This number is obtained from the <i>IEEE</i> registration authority committee (RAC). The most significant byte of Vendor_ID appears at PHY register location 10102 and the least significant at 11002.
Product_ID	24	r	The meaning of this number is determined by the company or organization that has been granted Vendor_ID. Agere's FW801BF product ID is 08020116. The most significant byte of Product_ID appears at PHY register location 11012 and the least significant at 11112.

The vendor-dependent page provides access to information used in manufacturing test of the FW801BF.

## Outline Diagrams

### 48-Ball VTFSBGAC

Dimensions are in millimeters.



PKG TYPE	A	B	C
FSBGA	0.36 REF	$0.70 \pm 0.05$	$1.28 \pm 0.18$
TFSBGA	0.21 REF	$0.70 \pm 0.05$	$1.13 \pm 0.13$
VTFSBGA	0.21 REF	$0.45 \pm 0.03$	$0.88 \pm 0.10$

**Note:**

1. GLOBAL PLANE IS **BEST FIT** PLANE AS DETERMINED BY COPLANARITY MEASUREMENT EQUIPMENT.
2. THIS PACKAGE CONFIGURATION HAS SOLDER MASK DEFINED BGA PADS (SMD). FOR DETAILS SEE INDIVIDUAL SUBSTRATE DRAWINGS (BOTTOM VIEW).
3. THE SOLDER BALL DIAMETER BEFORE REFLOW =  $0.30 \text{ mm } +0.10/-0.05 \text{ mm}$ .



## Ordering Information

Device Code	Package	Comcode
FW801BF-09-DB	48-ball VTF SBGAC	7000482230

The *i.LINK* logo is a trademark and *i.LINK* is a registered trademark of Sony Corporation.  
*IEEE* is a registered trademark of The Institute of Electrical and Electronics Engineers, Inc.  
The *FireWire* logo is a trademark and *FireWire* is a registered trademark of Apple Computer, Inc.

---

For additional information, contact your Agere Systems Account Manager or the following:

INTERNET: <http://www.agere.com>

E-MAIL: [docmaster@agere.com](mailto:docmaster@agere.com)

N. AMERICA: Agere Systems Inc., Lehigh Valley Central Campus, Room 10A-301C, 1110 American Parkway NE, Allentown, PA 18109-9138

**1-800-372-2447**, FAX 610-712-4106 (In CANADA: **1-800-553-2448**, FAX 610-712-4106)

ASIA: CHINA: **(86) 21-54614688** (Shanghai), **(86) 755-25881122** (Shenzhen)

JAPAN: **(81) 3-5421-1600** (Tokyo), KOREA: **(82) 2-767-1850** (Seoul), SINGAPORE: **(65) 6741-9855**, TAIWAN: **(886) 2-2725-5858** (Taipei)

EUROPE: **Tel. (44) 1344 296 400**

---

Agere Systems Inc. reserves the right to make changes to the product(s) or information contained herein without notice. No liability is assumed as a result of their use or application.  
Agere is a registered trademark of Agere Systems Inc. Agere Systems and the Agere logo are trademarks of Agere Systems Inc.

Copyright © 2005 Agere Systems Inc.  
All Rights Reserved

January 2005  
DS05-043CMPR (Replaces DS03-080CMPR-2)

