

**PLEASE CHECK WWW.MOLEX.COM FOR LATEST PART INFORMATION**

**Part Number:** [0354179802](#)  
**Status:** **Active**  
**Description:** 1.27mm (.050") Tab Terminal, Brass, Wire Range 18-22 AWG (0.85-0.30mm<sup>2</sup>), Pre-Tin Plated, Larger Conductor Crimp Area

**Documents:**

[Drawing \(PDF\)](#) [RoHS Certificate of Compliance \(PDF\)](#)

**General**

Product Family	Crimp Terminals
Series	<a href="#">35417</a>
Crimp Quality Equipment	Yes
Product Name	N/A

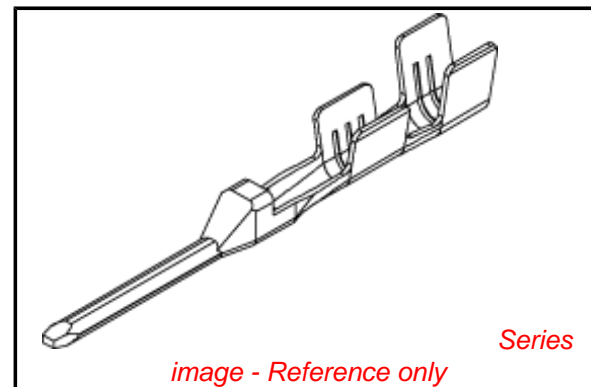
**Physical**

Gender	Male
Material - Metal	Brass
Material - Plating Mating	Tin
Material - Plating Termination	Tin
Packaging Type	Reel
Termination Interface: Style	Crimp or Compression
Wire Insulation Diameter	1.80-2.20mm (.071-.087")
Wire Size AWG	N/A
Wire Size mm <sup>2</sup>	AVS 0.30 TO 0.85

**Material Info**

**Reference - Drawing Numbers**

Sales Drawing	SD-35417-9002
---------------	---------------



*image - Reference only*

**EU RoHS**

**ELV and RoHS  
Compliant**  
**REACH SVHC**  
 Not Reviewed  
**Halogen-Free  
Status**

**China RoHS**



**Not Reviewed**

**Need more information on product environmental compliance?**

Email [productcompliance@molex.com](mailto:productcompliance@molex.com)  
 For a multiple part number RoHS Certificate of Compliance, [click here](#)

Please visit the [Contact Us](#) section for any non-product compliance questions.

**Search Parts in this Series**

[35417Series](#)

**Mates With**

[50418](#)

**Use With**

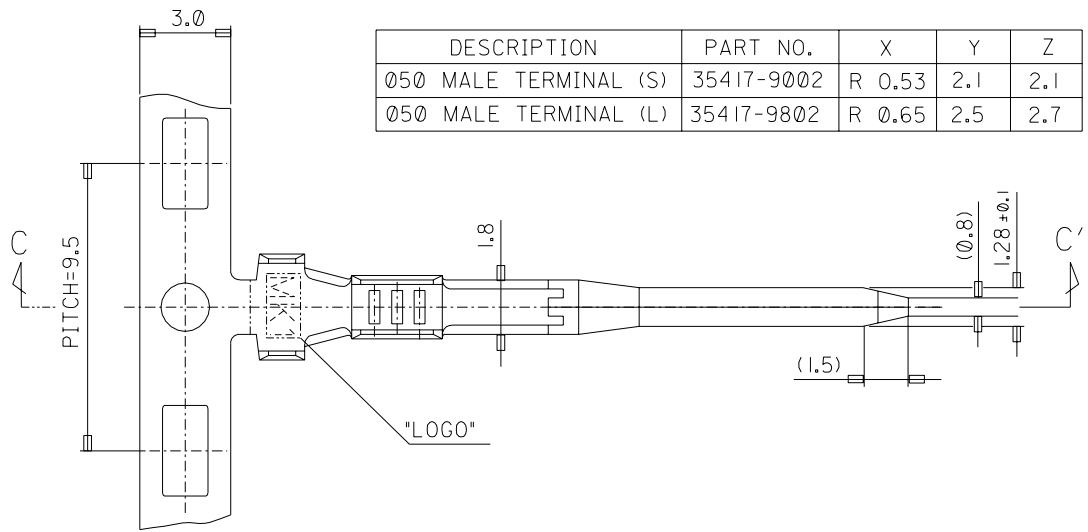
[35198](#)

**PLEASE CHECK WWW.MOLEX.COM FOR LATEST PART INFORMATION**

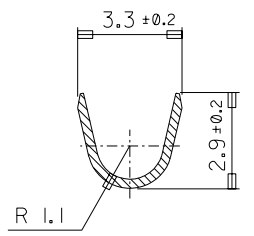
DO NOT SCALE DRAWING DIMENSION IN METRIC

PROJECT NO. KOR 96-038  
SIMILAR ITEM

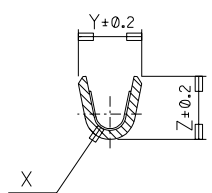
DWG. NO. SD 35417-9002



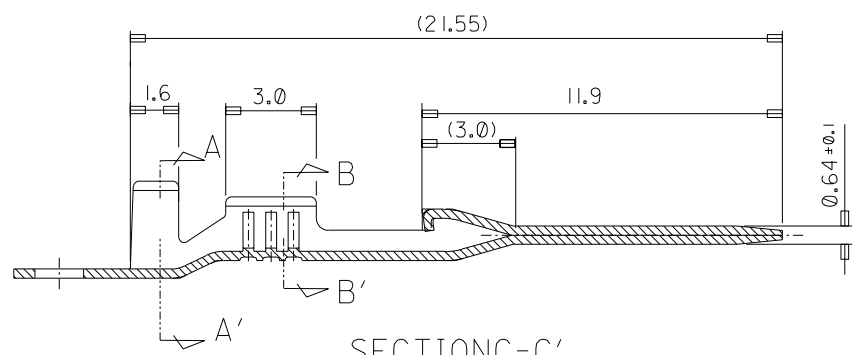
DESCRIPTION	PART NO.	X	Y	Z
Ø50 MALE TERMINAL (S)	35417-9002	R 0.53	2.1	2.1
Ø50 MALE TERMINAL (L)	35417-9802	R 0.65	2.5	2.7



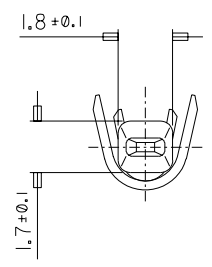
SECTION A-A'



SECTION B-B'



SECTION C-C'



- NOTE
1. MATERIAL : BRASS (C2600), THK.=0.30±0.02
  2. FINISH : PRE-TINNED 0.9 μm MIN.
  3. WIRE RANGE : AVSS OR AVS 0.3 -- 0.85 mm. <sup>2</sup>
  4. PRODUCT SPECIFICATION : CS-35417-9002.

NEW RELEASED EC NO. KOR 99-0002 DRWN: C.Y.CHO '99.01.06 CHK: B.K.CHOI APPR: C.W.LEE	QUALITY SYMBOLS MAJOR CRITICAL	GENERAL TOLERANCES: (UNLESS SPECIFIED)		SCALE 4:1	DESIGN UNITS <input checked="" type="checkbox"/> mm <input type="checkbox"/> INCH	THIRD ANGLE PROJECTION <input checked="" type="checkbox"/> THIRD ANGLE	DIMENSIONS: <input type="checkbox"/> mm <input type="checkbox"/> INCH <input checked="" type="checkbox"/> mm ONLY	SHT	REV
		4 PLACES	±0.	±.	DRAWN BY & DATE C.Y.CHO 1998/05/18	TITLE: .Ø50 MALE TER'L			
		3 PLACES	±0.	±.	CHECKED BY & DATE B.K.CHOI 1998/05/18	MOLEX INCORPORATED KOREA			
		2 PLACES	±0.	±.	APPROVED BY & DATE C.W.LEE 1998/05/18				
1 PLACE	±0.30	±.	ANGULAR: ± 1°		CAD FILENAME SD35417.DGN	MATERIAL NO. SD 35417-9002	DRAWING NO. SD 35417-9002	SHEET NO. 1/1	SIZE B
DRAFT WHERE APPLICABLE MUST REMAIN WITHIN DIMENSIONS		THIS DRAWING CONTAINS INFORMATION THAT IS PROPRIETARY TO MOLEX INCORPORATED AND SHOULD NOT BE USED WITHOUT WRITTEN PERMISSION.							