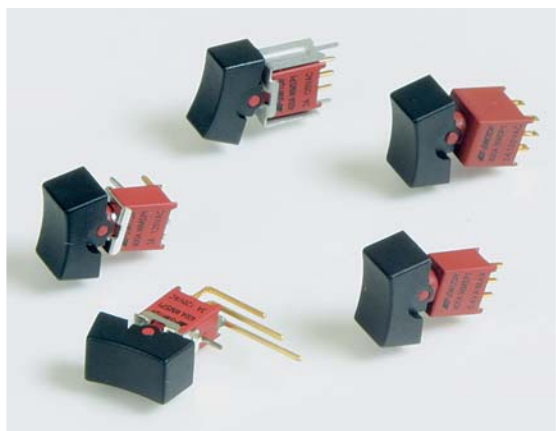




SERIES 400A SWITCHES

ROCKER SWITCHES - SUB-MINIATURE



FEATURES & BENEFITS

- ▶ Variety of switching functions
- ▶ Sub-miniature
- ▶ Sealed to IP67

APPLICATIONS/MARKETS

- ▶ Telecommunications
- ▶ Instrumentation
- ▶ Test equipment
- ▶ Networking
- ▶ Computer peripherals

SPECIFICATIONS

Contact Rating:	See contact material options
Life Expectancy:	30,000 make-and-break cycles at full load
Contact Resistance:	10 mΩ typ. initial @ 2-4 V DC, 100 mA for both silver and gold plated contacts
Insulation Resistance:	1,000 MΩ min
Dielectric Strength:	1,000 V RMS @ sea level
Operating Temperature:	-30° C to 85° C

MATERIALS

Housing:	Glass filled nylon, flame retardant, heat stabilized (UL 94-V0)
Actuator:	Nylon, black std. (UL94-HB)
Actuator Seal:	Internal O-Ring
Switch Support:	Brass or steel, tin plated
Actuator Pivot & Mounting Bracket:	Nylon (UL94-HB)
Actuator Pivot Retainer:	Stainless steel
Contacts / Terminals:	Silver or gold plated copper alloy
Terminal Seal:	Epoxy

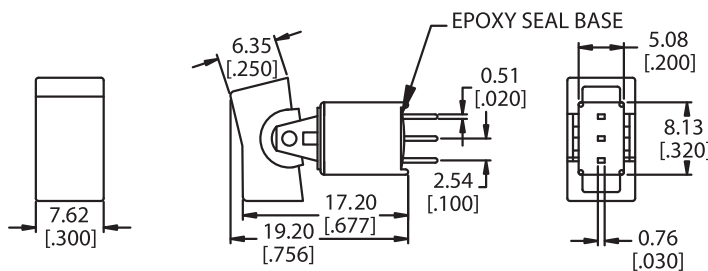
HOW TO ORDER

SERIES	MODEL NO.	ACTUATOR	ACTUATOR COLOR	TERMINATION	CONTACT MATERIAL	SEAL
400A	WMSP1 WMSP2 WMSP3 WMSP4 WMSP5 WMDP1 WMDP2 WMDP3	R1 = Std.	BLK =Black WHT=White RED =Red	M1 M2 M6 M7 VS2 M61 M71 VS21	Q = Silver R = Gold	E = Epoxy Sealed at Base of Terminal

▶ ▶ ▶ Example Ordering Number
400A-WMSP3-R1-BLK-M1-Q-E

Specifications subject to change without notice.

SPDT



Model No.	POS 1	POS 2	POS 3
WMSP-1	ON	NONE	ON
WMSP-2	ON	NONE	(ON)
WMSP-3	ON	OFF	ON
WMSP-4	(ON)	OFF	(ON)
WMSP-5	ON	OFF	(ON)
Term. Comm.	2-3	OPEN	2-1

() = Momentary



SERIES 400A SWITCHES

ROCKER SWITCHES - SUB-MINIATURE

TACT SWITCHES

NAVIGATION SWITCHES

PUSHBUTTON SWITCHES

TOGGLE SWITCHES

ROCKER SWITCHES

SLIDE SWITCHES

SNAP-ACTION SWITCHES

DIP SWITCHES

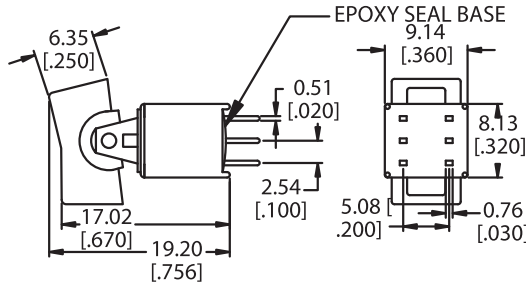
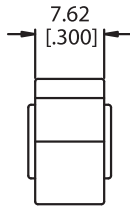
KEYLOCK SWITCHES

ROTARY SWITCHES

DETECTOR SWITCHES

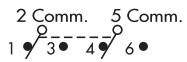
CAP OPTIONS

DPDT



Model No.	POS 1	POS 2	POS 3
WMMP-1	ON	NONE	ON
WMMP-2	ON	NONE	(ON)
WMMP-3	ON	OFF	ON
Term. Comm.	2-3, 5-6	OPEN	2-1, 5-4

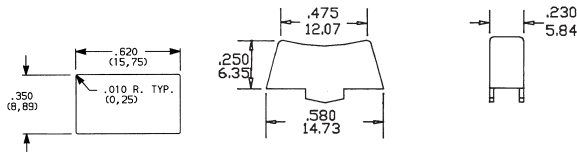
() = Momentary



SCHEMATIC

ACTUATOR OPTIONS

R1



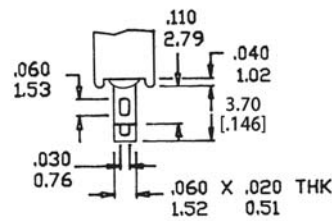
TERMINATION OPTIONS

M1

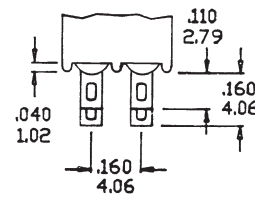
SOLDER LUG



Single Pole



Double Pole

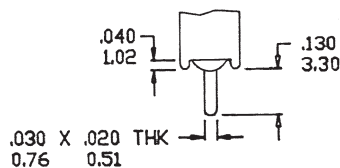


M2

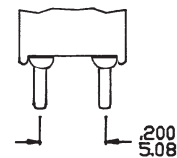
P.C. MOUNT



Single Pole



Double Pole



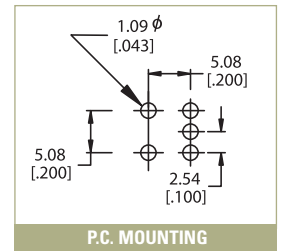
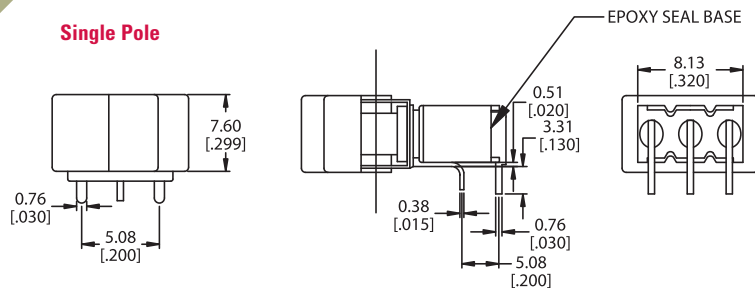


M6

SPDT



Single Pole

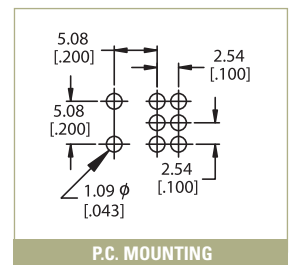
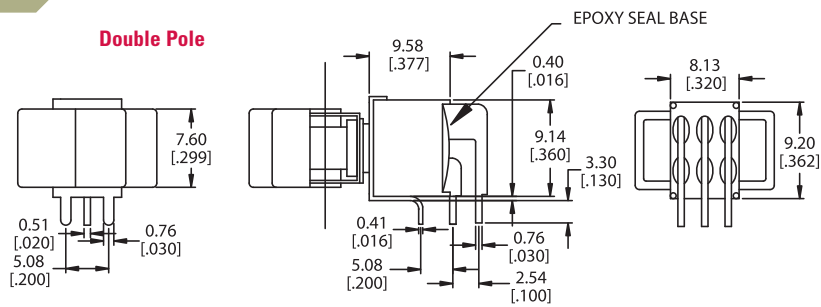


M6

DPDT



Double Pole

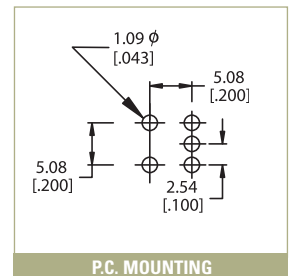
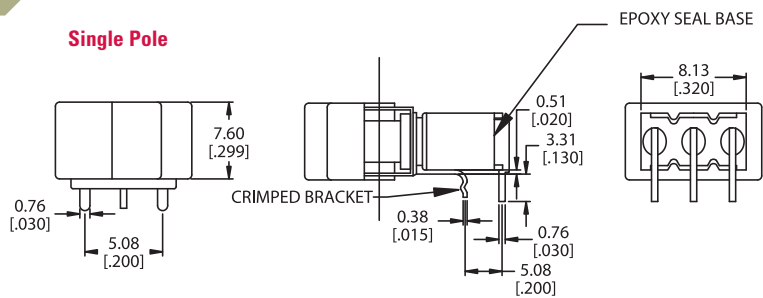


M61

SPDT



Single Pole

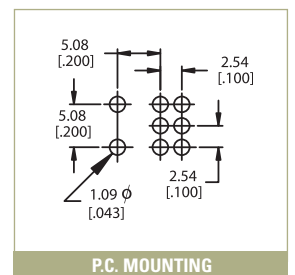
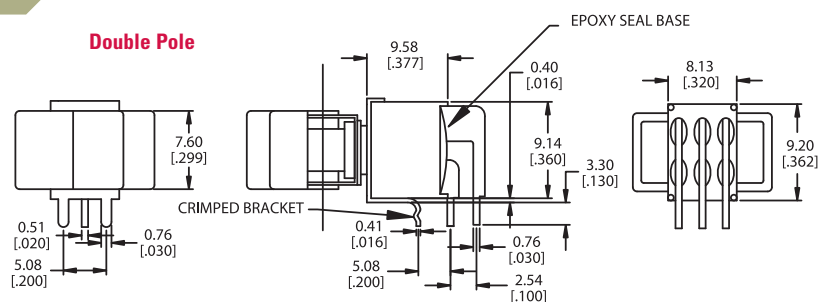


M61

DPDT



Double Pole



M61 Termination includes crimped bracket

TACT SWITCHES

NAVIGATION SWITCHES

PUSHBUTTON SWITCHES

TOGGLE SWITCHES

ROCKER SWITCHES

SLIDE SWITCHES

SNAP-ACTION SWITCHES

DIP SWITCHES

KEYLOCK SWITCHES

ROTARY SWITCHES

DETECTOR SWITCHES

CAP OPTIONS



SERIES 400A SWITCHES

ROCKER SWITCHES - SUB-MINIATURE

TACT SWITCHES

NAVIGATION SWITCHES

PUSHBUTTON SWITCHES

TOGGLE SWITCHES

ROCKER SWITCHES

SLIDE SWITCHES

SNAP-ACTION SWITCHES

DIP SWITCHES

KEYLOCK SWITCHES

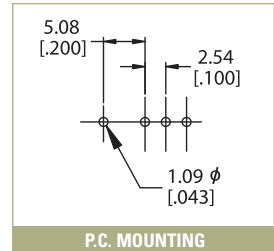
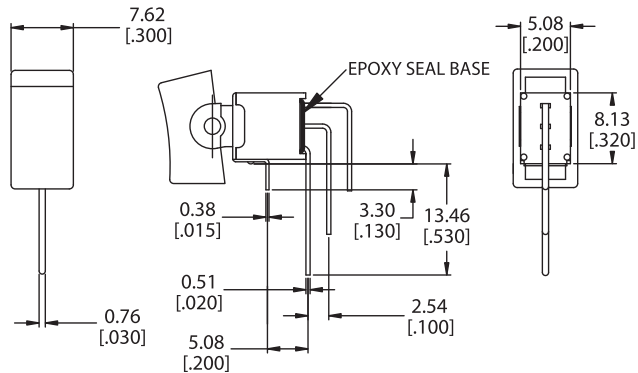
ROTARY SWITCHES

DETECTOR SWITCHES

CAP OPTIONS

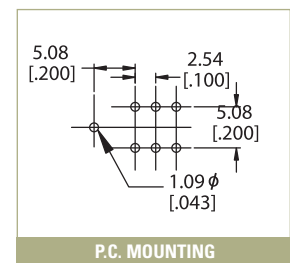
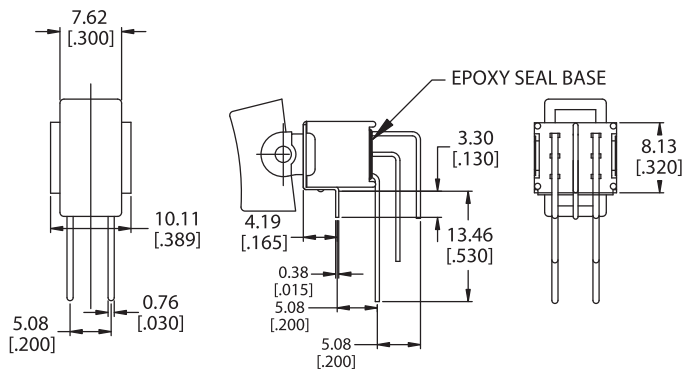
M7

SPDT



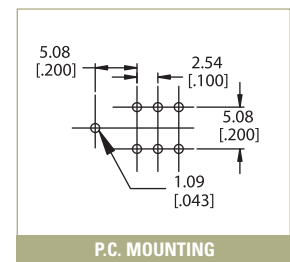
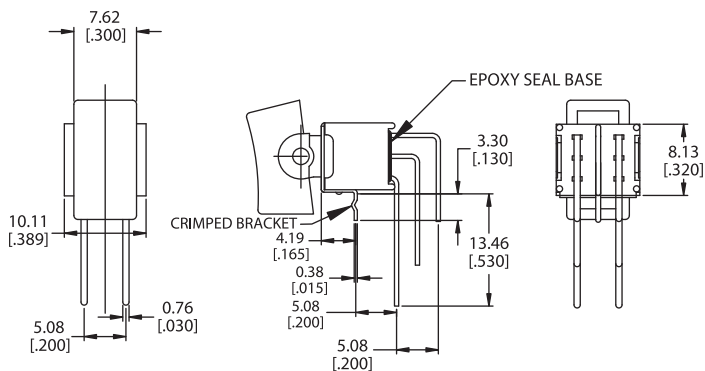
M7

DPDT



M71

DPDT

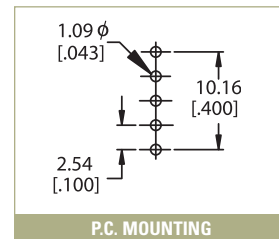
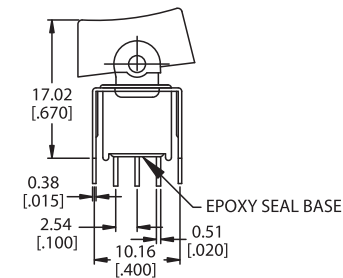
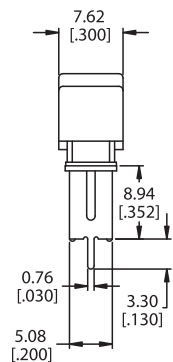


M71 Termination includes crimped bracket



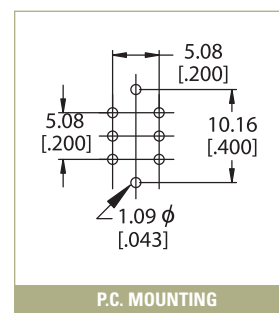
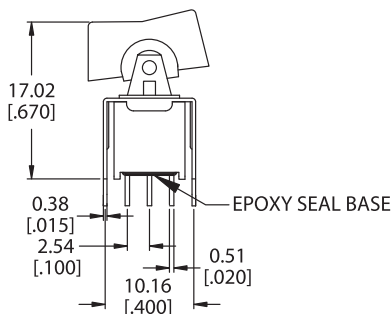
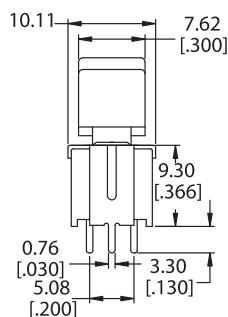
VS2

SPDT



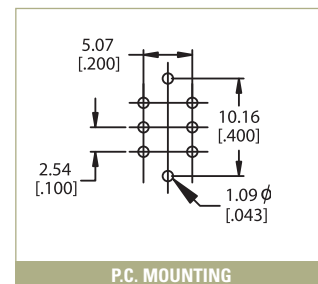
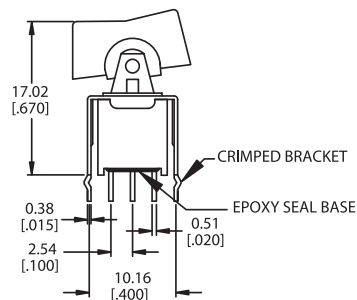
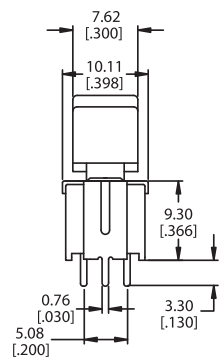
VS2

DPDT



VS21

DPDT



CONTACT MATERIAL OPTIONS

Q

Fixed Terminal: Silver plated copper alloy

Moving Contact: Silver plated copper alloy

Rating: 3 AMPS @ 120 VAC or 28 VDC;
1.0 AMP @ 250VAC

R

Fixed Terminal: Copper alloy with gold plate over nickel plate

Moving Contact: Copper alloy with gold plate over nickel plate

Rating: 0.4 VA max. @ 20 VAC or DC max.