



## 16-Bit, 5MSPS Analog-to-Digital Converter

### FEATURES

- Data Rate: 5MSPS (10MSPS in 2X Mode)
- Signal-to-Noise Ratio: 88dB
- Total Harmonic Distortion: -99dB
- Spurious-Free Dynamic Range: 101dB
- Linear Phase with 2.45 MHz Bandwidth
- Passband Ripple:  $\pm 0.0025$ dB
- Selectable On-Chip Reference
- Directly Connects to TMS320C6000 DSPs
- Easily Upgradable to 18 Bits with the ADS1625 and ADS1626
- Adjustable Power Dissipation: 315 to 570mW
- Power Down Mode
- Supplies: Analog +5V  
Digital +3V  
Digital I/O +2.7 to +5.25V

### APPLICATIONS

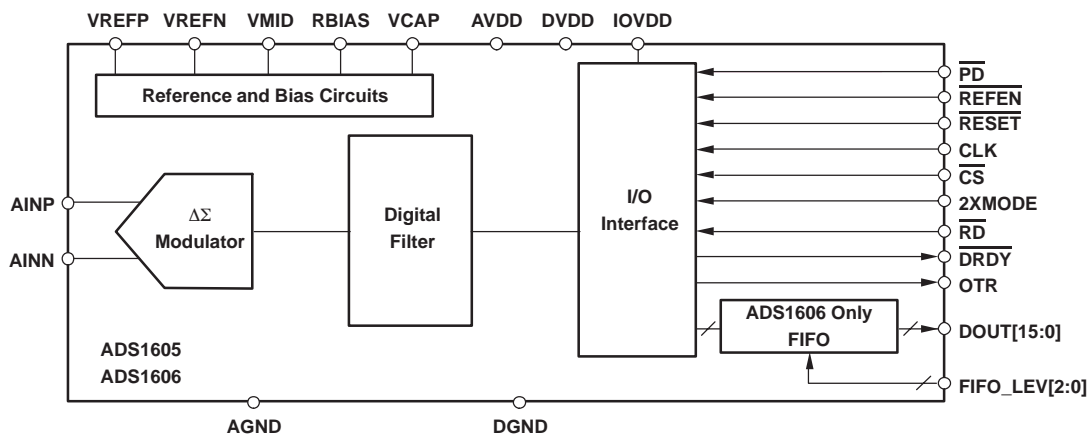
- Scientific Instruments
- Automated Test Equipment
- Data Acquisition
- Medical Imaging
- Vibration Analysis

### DESCRIPTION

The ADS1605 and ADS1606 are high-speed, high-precision, delta-sigma analog-to-digital converters (ADCs) with 16-bit resolution. The data rate is 5 mega-samples per second (MSPS), the bandwidth (-3dB) is 2.45MHz, and passband ripple is less than  $\pm 0.0025$ dB (to 2.2MHz). Both devices offer the same outstanding performance at these speeds with a signal-to-noise ratio up to 88dB, total harmonic distortion down to -99dB, and a spurious-free dynamic range up to 101dB. For even higher-speed operation, the data rate can be doubled to 10MSPS in 2X mode. The ADS1606 includes an adjustable first-in first-out buffer (FIFO) for the output data.

The input signal is measured against a voltage reference that can be generated on-chip or supplied externally. The digital output data is provided over a simple parallel interface that easily connects to digital signal processors (DSPs). An out-of-range monitor reports when the input range has been exceeded. The ADS1605/6 operate from a +5V analog supply (AVDD) and +3V digital supply (DVDD). The digital I/O supply (IOVDD) operates from +2.7 to +5.25V, enabling the digital interface to support a range of logic families. The analog power dissipation is set by an external resistor and can be reduced when operating at slower speeds. A power down mode, activated by a digital I/O pin, shuts down all circuitry. The ADS1605/6 are offered in a TQFP-64 package using TI PowerPAD™ technology.

The ADS1605 and ADS1606, along with their 18-bit counterparts, the ADS1625 and ADS1626, are well suited for the demanding measurement requirements of scientific instrumentation, automated test equipment, data acquisition, and medical imaging.



Please be aware that an important notice concerning availability, standard warranty, and use in critical applications of Texas Instruments semiconductor products and disclaimers thereto appears at the end of this data sheet.

PowerPAD is a trademark of Texas Instruments. All other trademarks are the property of their respective owners.

## ORDERING INFORMATION

PRODUCT	PACKAGE-LEAD	PACKAGE DESIGNATOR(1)	SPECIFIED TEMPERATURE RANGE	PACKAGE MARKING	ORDERING NUMBER	TRANSPORT MEDIA, QUANTITY
ADS1605	TQFP-64 PowerPAD	PAP	-40°C to +85°C	ADS1605I	ADS1605IPAPT	Tape and Reel, 250
					ADS1605IPAPR	Tape and Reel, 1000
ADS1606	TQFP-64 PowerPAD	PAP	-40°C to +85°C	ADS1606I	ADS1606IPAPT	Tape and Reel, 250
					ADS1606IPAPR	Tape and Reel, 1000

(1) For the most current specification and package information, refer to our web site at [www.ti.com](http://www.ti.com).

## ABSOLUTE MAXIMUM RATINGS

over operating free-air temperature range unless otherwise noted(1)

	ADS1605, ADS1606	UNIT
AVDD to AGND	-0.3 to +6	V
DVDD to DGND	-0.3 to +3.6	V
IOVDD to DGND	-0.3 to +6	V
AGND to DGND	-0.3 to +0.3	V
Input Current	100mA, Momentary	
Input Current	10mA, Continuous	
Analog I/O to AGND	-0.3 to AVDD + 0.3	V
Digital I/O to DGND	-0.3 to IOVDD + 0.3	V
Maximum Junction Temperature	+150	°C
Operating Temperature Range	-40 to +105	°C
Storage Temperature Range	-60 to +150	°C
Lead Temperature (soldering, 10s)	+260	°C

(1) Stresses above these ratings may cause permanent damage.

Exposure to absolute maximum conditions for extended periods may degrade device reliability. These are stress ratings only, and functional operation of the device at these or any other conditions beyond those specified is not implied.

## PRODUCT FAMILY

PRODUCT	RESOLUTION	DATA RATE	FIFO?
ADS1605	16 Bits	5.0MSPS	No
ADS1606	16 Bits	5.0MSPS	Yes
ADS1625	18 Bits	1.25MSPS	No
ADS1626	18 Bits	1.25MSPS	Yes



This integrated circuit can be damaged by ESD. Texas Instruments recommends that all integrated circuits be handled with appropriate precautions. Failure to observe proper handling and installation procedures can cause damage.

ESD damage can range from subtle performance degradation to complete device failure. Precision integrated circuits may be more susceptible to damage because very small parametric changes could cause the device not to meet its published specifications.

## ELECTRICAL CHARACTERISTICS

All specifications at  $-40^{\circ}\text{C}$  to  $+85^{\circ}\text{C}$ ,  $\text{AVDD} = 5\text{V}$ ,  $\text{DVDD} = \text{IOVDD} = 3\text{V}$ ,  $f_{\text{CLK}} = 40\text{MHz}$ , External  $V_{\text{REF}} = +3\text{V}$ ,  $2\text{XMODE} = \text{low}$ ,  $V_{\text{CM}} = 2.0\text{V}$ , FIFO disabled, and  $R_{\text{BIAS}} = 37\text{k}\Omega$ , unless otherwise noted.

PARAMETER	TEST CONDITIONS	MIN	TYP	MAX	UNIT
<b>Analog Input</b>					
Differential input voltage ( $V_{\text{IN}}$ ) ( $\text{AINP} - \text{AINN}$ )	0dBFS		$\pm 1.545V_{\text{REF}}$		V
	-2dBFS		$\pm 1.227V_{\text{REF}}$		V
	-6dBFS		$\pm 0.774V_{\text{REF}}$		V
	-20dBFS		$\pm 0.155V_{\text{REF}}$		V
Common-mode input voltage ( $V_{\text{CM}}$ ) ( $\text{AINP} + \text{AINN}$ ) / 2			2.0		V
Absolute input voltage ( $\text{AINP}$ or $\text{AINN}$ with respect to $\text{AGND}$ )	0dBFS	-0.1		4.7	V
	-2dBFS input and smaller	0.1		4.2	V
<b>Dynamic Specifications</b>					
Data rate			$5.0 \left( \frac{f_{\text{CLK}}}{40\text{MHz}} \right)$		MSPS
Signal-to-noise ratio (SNR)	$f_{\text{IN}} = 100\text{kHz}$ , -2dBFS		88		dB
	$f_{\text{IN}} = 100\text{kHz}$ , -6dBFS		84		dB
	$f_{\text{IN}} = 100\text{kHz}$ , -20dBFS	62	70		dB
	$f_{\text{IN}} = 500\text{kHz}$ , -2dBFS		86		dB
	$f_{\text{IN}} = 500\text{kHz}$ , -6dBFS		83		dB
	$f_{\text{IN}} = 500\text{kHz}$ , -20dBFS		69		dB
	$f_{\text{IN}} = 2\text{MHz}$ , -2dBFS		84		dB
	$f_{\text{IN}} = 2\text{MHz}$ , -6dBFS		82		dB
	$f_{\text{IN}} = 2\text{MHz}$ , -20dBFS		69		dB
Total harmonic distortion (THD)	$f_{\text{IN}} = 100\text{kHz}$ , -2dBFS		-93		dB
	$f_{\text{IN}} = 100\text{kHz}$ , -6dBFS		-99		dB
	$f_{\text{IN}} = 100\text{kHz}$ , -20dBFS		-94	-85	dB
	$f_{\text{IN}} = 500\text{kHz}$ , -2dBFS		-94		dB
	$f_{\text{IN}} = 500\text{kHz}$ , -6dBFS		-97		dB
	$f_{\text{IN}} = 500\text{kHz}$ , -20dBFS		-93		dB
	$f_{\text{IN}} = 2\text{MHz}$ , -2dBFS		-98		dB
	$f_{\text{IN}} = 2\text{MHz}$ , -6dBFS		-101		dB
	$f_{\text{IN}} = 2\text{MHz}$ , -20dBFS		-92		dB
Signal-to-noise and distortion (SINAD)	$f_{\text{IN}} = 100\text{kHz}$ , -2dBFS		86		dB
	$f_{\text{IN}} = 100\text{kHz}$ , -6dBFS		84		dB
	$f_{\text{IN}} = 100\text{kHz}$ , -20dBFS	62	70		dB
	$f_{\text{IN}} = 500\text{kHz}$ , -2dBFS		86		dB
	$f_{\text{IN}} = 500\text{kHz}$ , -6dBFS		83		dB
	$f_{\text{IN}} = 500\text{kHz}$ , -20dBFS		69		dB
	$f_{\text{IN}} = 2\text{MHz}$ , -2dBFS		84		dB
	$f_{\text{IN}} = 2\text{MHz}$ , -6dBFS		82		dB
	$f_{\text{IN}} = 2\text{MHz}$ , -20dBFS		69		dB

**ELECTRICAL CHARACTERISTICS (continued)**

All specifications at -40°C to +85°C, AVDD = 5V, DVDD = IOVDD = 3V, fCLK = 40MHz, External VREF = +3V, 2XMODE = low, VCM = 2.0V, FIFO disabled, and RBIAS = 37kΩ, unless otherwise noted.

PARAMETER	TEST CONDITIONS	MIN	TYP	MAX	UNIT
Spurious free dynamic range (SFDR)	fIN = 100kHz, -2dBFS		96		dB
	fIN = 100kHz, -6dBFS		101		dB
	fIN = 100kHz, -20dBFS	85	96		dB
	fIN = 500kHz, -2dBFS		95		dB
	fIN = 500kHz, -6dBFS		100		dB
	fIN = 500kHz, -20dBFS		95		dB
	fIN = 2MHz, -2dBFS		102		dB
	fIN = 2MHz, -6dBFS		105		dB
	fIN = 2MHz, -20dBFS		96		dB
Intermodulation distortion (IMD)	f1 = 1.99MHz, -6dBFS f2 = 2.00MHz, -6dBFS		-94		dB
Aperture delay			4		ns
<b>Digital Filter Characteristics</b>					
Pass band		0		$2.2 \left( \frac{f_{CLK}}{40MHz} \right)$	MHz
Pass band ripple				±0.0025	dB
Pass band transition	-0.1dB attenuation			$2.3 \left( \frac{f_{CLK}}{40MHz} \right)$	MHz
	-3.0dB attenuation			$2.45 \left( \frac{f_{CLK}}{40MHz} \right)$	MHz
Stop band		$2.8 \left( \frac{f_{CLK}}{40MHz} \right)$		$37.2 \left( \frac{f_{CLK}}{40MHz} \right)$	MHz
Stop band attenuation		72			dB
Group delay			$5.2 \left( \frac{40MHz}{f_{CLK}} \right)$		μs
Settling time	To ±0.001%		$9.4 \left( \frac{40MHz}{f_{CLK}} \right)$		μs
<b>Static Specifications</b>					
Resolution			16		Bits
No missing codes		16			Bits
Input referred noise			1.0		LSB, rms
Integral nonlinearity	-1.5dBFS signal		±0.75		LSB
Differential nonlinearity			±0.25		LSB
Offset error			0.05		%FSR
Offset error drift			1		ppmFSR/°C
Gain error			0.25		%
Gain error drift	Excluding reference drift		10		ppm/°C
Common-mode rejection	At dc		75		dB
Power-supply rejection	At dc		65		dB

**ELECTRICAL CHARACTERISTICS (continued)**

All specifications at  $-40^{\circ}\text{C}$  to  $+85^{\circ}\text{C}$ , AVDD = 5V, DVDD = IOVDD = 3V,  $f_{\text{CLK}} = 40\text{MHz}$ , External  $V_{\text{REF}} = +3\text{V}$ , 2XMODE = low,  $V_{\text{CM}} = 2.0\text{V}$ , FIFO disabled, and  $R_{\text{BIAS}} = 37\text{k}\Omega$ , unless otherwise noted.

PARAMETER	TEST CONDITIONS	MIN	TYP	MAX	UNIT
<b>Voltage Reference<sup>(1)</sup></b>					
$V_{\text{REF}} = (V_{\text{REFP}} - V_{\text{REFN}})$		2.5	3.0	3.2	V
$V_{\text{REFP}}$		3.75	4.0	4.25	V
$V_{\text{REFN}}$		0.75	1.0	1.25	V
VMID		2.3	2.5	2.8	V
$V_{\text{REF}}$ drift	Internal reference ( $\overline{\text{REFEN}} = \text{low}$ )		50		ppm/ $^{\circ}\text{C}$
Startup time	Internal reference ( $\overline{\text{REFEN}} = \text{low}$ )		15		ms
<b>Clock Input</b>					
Frequency ( $f_{\text{CLK}}$ )			40	50	MHz
Duty Cycle	$f_{\text{CLK}} = 40\text{MHz}$	45		55	%
<b>Digital Input/Output</b>					
$V_{\text{IH}}$		0.7 IOVDD		IOVDD	V
$V_{\text{IL}}$		DGND		0.3 IOVDD	V
$V_{\text{OH}}$	$I_{\text{OH}} = 50\mu\text{A}$	IOVDD – 0.5			V
$V_{\text{OL}}$	$I_{\text{OL}} = 50\mu\text{A}$			DGND +0.5	V
Input leakage	DGND < $V_{\text{DIGIN}} < \text{IOVDD}$			$\pm 10$	$\mu\text{A}$
<b>Power-Supply Requirements</b>					
AVDD		4.75		5.25	V
DVDD		2.7		3.3	V
IOVDD		2.7		5.25	V
AVDD current ( $I_{\text{AVDD}}$ )	$\overline{\text{REFEN}} = \text{low}$		110	135	mA
	$\overline{\text{REFEN}} = \text{high}$		85	105	mA
DVDD current ( $I_{\text{DVDD}}$ )			45	55	mA
IOVDD current ( $I_{\text{IOVDD}}$ )	IOVDD = 3V		4	6	mA
Power dissipation	AVDD = 5V, DVDD = 3V, IOVDD = 3V, $\overline{\text{REFEN}} = \text{high}$		570	710	mW
	$\overline{\text{PD}} = \text{low}$ , CLK disabled		5		mW
<b>Temperature Range</b>					
Specified		-40		+85	$^{\circ}\text{C}$
Operating		-40		+105	$^{\circ}\text{C}$
Storage		-60		+150	$^{\circ}\text{C}$
Thermal Resistance, $\theta_{\text{JA}}$	PowerPAD™ soldered to PCB with 2oz. trace and copper pad.		25		$^{\circ}\text{C}/\text{W}$
$\theta_{\text{JC}}$			0.5		$^{\circ}\text{C}/\text{W}$

(1) The specification limits for  $V_{\text{REF}}$ ,  $V_{\text{REFP}}$ ,  $V_{\text{REFN}}$ , and VMID apply when using the internal or an external reference. The internal reference voltages are bounded by the limits shown. When using an external reference, the limits indicate the allowable voltages that can be applied to the reference pins.

## DEFINITIONS

### Absolute Input Voltage

Absolute input voltage, given in volts, is the voltage of each analog input (AINN or AINP) with respect to AGND.

### Aperture Delay

Aperture delay is the delay between the rising edge of CLK and the sampling of the input signal.

### Common-Mode Input Voltage

Common-mode input voltage ( $V_{CM}$ ) is the average voltage of the analog inputs:

$$\frac{(AINP + AINN)}{2}$$

### Differential Input Voltage

Differential input voltage ( $V_{IN}$ ) is the voltage difference between the analog inputs: (AINP–AINN).

### Differential Nonlinearity (DNL)

DNL, given in least-significant bits of the output code (LSB), is the maximum deviation of the output code step sizes from the ideal value of 1LSB.

### Full-Scale Range (FSR)

FSR is the difference between the maximum and minimum measurable input signals.  $FSR = 2 \times 1.545V_{REF}$ .

### Gain Error

Gain error, given in %, is the error of the full-scale input signal with respect to the ideal value.

### Gain Error Drift

Gain error drift, given in ppm/°C, is the drift over temperature of the gain error. The gain error is specified as the larger of the drift from ambient ( $T = 25^{\circ}C$ ) to the minimum or maximum operating temperatures.

### Integral Nonlinearity (INL)

INL, given in least-significant bits of the output code (LSB), is the maximum deviation of the output codes from a best fit line.

### Intermodulation Distortion (IMD)

IMD, given in dB, is measured while applying two input signals of the same magnitude, but with slightly different frequencies. It is calculated as the difference between the rms amplitude of the input signal to the rms amplitude of the peak spurious signal.

### Offset Error

Offset Error, given in % of FSR, is the output reading when the differential input is zero.

### Offset Error Drift

Offset error drift, given in ppm of FSR/°C, is the drift over temperature of the offset error. The offset error is specified as the larger of the drift from ambient ( $T = 25^{\circ}C$ ) to the minimum or maximum operating temperatures.

### Signal-to-Noise Ratio (SNR)

SNR, given in dB, is the ratio of the rms value of the input signal to the sum of all the frequency components below  $f_{CLK}/2$  (the Nyquist frequency) excluding the first six harmonics of the input signal and the dc component.

### Signal-to-Noise and Distortion (SINAD)

SINAD, given in dB, is the ratio of the rms value of the input signal to the sum of all the frequency components below  $f_{CLK}/2$  (the Nyquist frequency) including the harmonics of the input signal but excluding the dc component.

### Spurious Free Dynamic Range (SFDR)

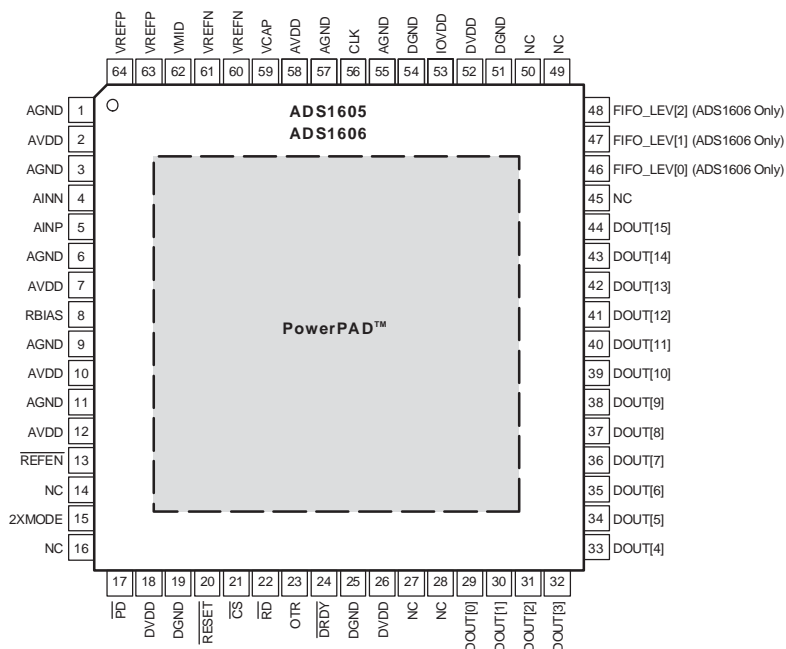
SFDR, given in dB, is the difference between the rms amplitude of the input signal to the rms amplitude of the peak spurious signal.

### Total Harmonic Distortion (THD)

THD, given in dB, is the ratio of the sum of the rms value of the first six harmonics of the input signal to the rms value of the input signal.

PIN ASSIGNMENTS

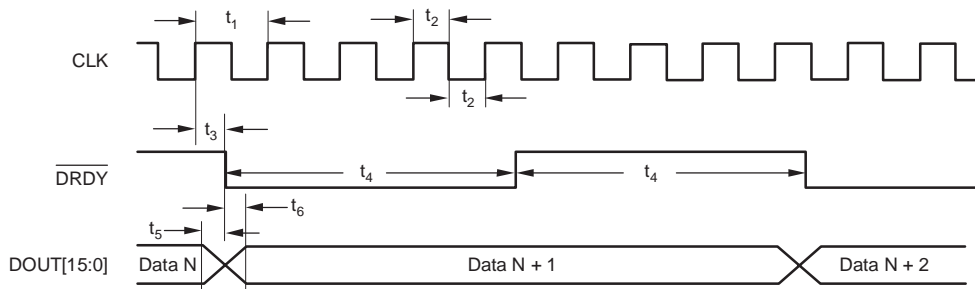
TQFP PACKAGE  
(TOP VIEW)



Terminal Functions

NAME	TERMINAL NO.	TYPE	DESCRIPTION
AGND	1, 3, 6, 9, 11, 55, 57	Analog	Analog ground
AVDD	2, 7, 10, 12, 58	Analog	Analog supply
AINN	4	Analog input	Negative analog input
AINP	5	Analog input	Positive analog input
RBIAS	8	Analog	Terminal for external analog bias setting resistor
REFEN	13	Digital input: active low	Internal reference enable. Internal pull-down resistor of 170kΩ to DGND.
NC	14,16, 27, 28, 45, 50	Not connected	These terminals are not connected within the ADS1605/6 and must be left unconnected.
2XMODE	15	Digital input	Digital filter decimation rate. Internal pull-down resistor of 170kΩ to DGND.
PD	17	Digital input: active low	Power down all circuitry. Internal pull-up resistor of 170kΩ to DGND.
DVDD	18, 26, 52	Digital	Digital supply
DGND	19, 25, 51, 54	Digital	Digital ground
RESET	20	Digital input: active low	Reset digital filter
CS	21	Digital input: active low	Chip select
RD	22	Digital input: active low	Read enable
OTR	23	Digital output	Analog inputs out of range
DRDY	24	Digital output: active low	Data ready on falling edge
DOUT [15:0]	29–44	Digital output	Data output. DOUT[15] is the MSB and DOUT[0] is the LSB.
FIFO_LEV[2:0]	46–48	Digital input	FIFO level (for the ADS1606 only). FIFO_LEV[2] is MSB. NOTE: These terminals must be left disconnected on the ADS1605.
IOVDD	53	Digital	Digital I/O supply
CLK	56	Digital input	Clock input
VCAP	59	Analog	Terminal for external bypass capacitor connection to internal bias voltage
VREFN	60, 61	Analog	Negative reference voltage
VMID	62	Analog	Midpoint voltage
VREFP	63, 64	Analog	Positive reference voltage

PARAMETER MEASUREMENT INFORMATION



NOTE:  $\overline{CS}$  and  $\overline{RD}$  tied low.

Figure 1. Data Retrieval Timing (ADS1605, ADS1606 with FIFO Disabled)

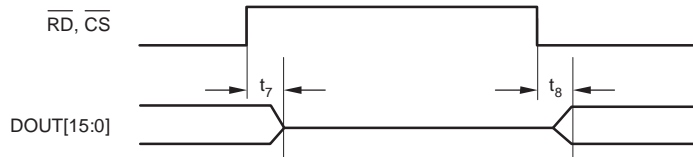


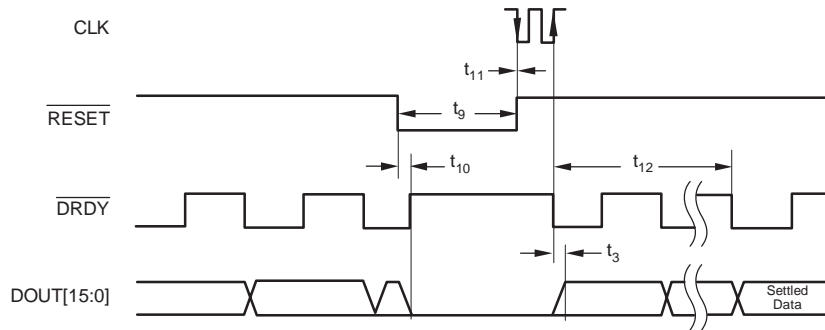
Figure 2. DOUT Inactive/Active Timing (ADS1605, ADS1606 with FIFO Disabled)

TIMING REQUIREMENTS FOR FIGURES 1 AND 2

SYMBOL	DESCRIPTION	MIN	TYP	MAX	UNIT
$t_1$	CLK period ( $1/f_{CLK}$ )	20	25	1000	ns
$1/t_1$	$f_{CLK}$	1	40	50	MHz
$t_2$	CLK pulse width, high or low	10			ns
$t_3$	Rising edge of CLK to $\overline{DRDY}$ low		10		ns
$t_4$	$\overline{DRDY}$ pulse width high or low		$4 t_1$		ns
$t_5$	Falling edge of $\overline{DRDY}$ to data invalid			10	ns
$t_6$	Falling edge of $\overline{DRDY}$ to data valid			15	ns
$t_7$	Rising edge of $\overline{RD}$ and/or $\overline{CS}$ inactive (high) to DOUT high impedance			15	ns
$t_8$	Falling edge of $\overline{RD}$ and/or $\overline{CS}$ active (low) to DOUT active.			15	ns

NOTE: DOUT[15:0] and  $\overline{DRDY}$  load = 10pF.





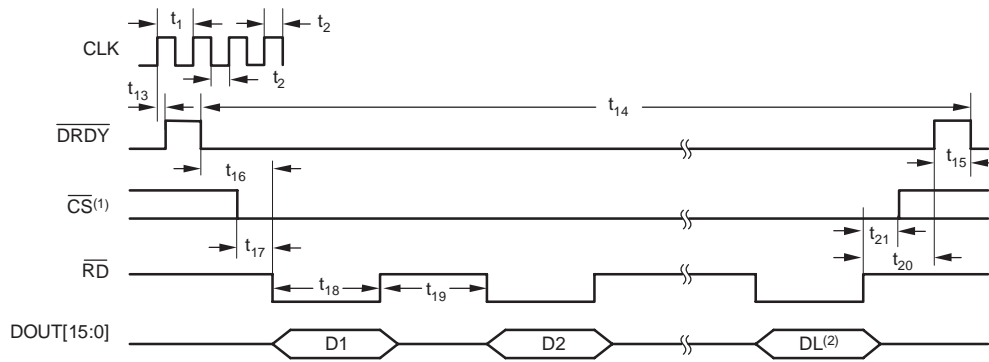
NOTE:  $\overline{CS}$  and  $\overline{RD}$  tied low.

**Figure 3. Reset Timing (ADS1605, ADS1606 with FIFO Disabled)**

**TIMING REQUIREMENTS FOR FIGURE 3**

SYMBOL	DESCRIPTION	MIN	TYP	MAX	UNIT
t <sub>3</sub>	Rising edge of CLK to $\overline{DRDY}$ low		10		ns
t <sub>9</sub>	$\overline{RESET}$ pulse width	50			ns
t <sub>10</sub>	Delay from $\overline{RESET}$ active (low) to $\overline{DRDY}$ forced high and DOUT forced low		9		ns
t <sub>11</sub>	$\overline{RESET}$ rising edge to falling edge of CLK	-5		10	ns
t <sub>12</sub>	Delay from DOUT active to valid DOUT (settling to 0.001%)		47		$\overline{DRDY}$ Cycles

NOTE: DOUT[15:0] and  $\overline{DRDY}$  load = 10pF.



- (1)  $\overline{CS}$  may be tied low.  
(2) The number of data readings (DL) is set by the FIFO level.

Figure 4. Data Retrieval Timing (ADS1606 with FIFO Enabled)

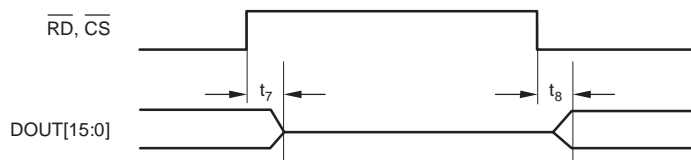


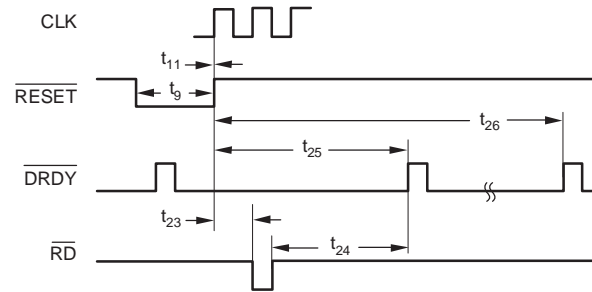
Figure 5. DOUT Inactive/Active Timing (ADS1606 with FIFO Enabled)

**TIMING REQUIREMENTS FOR FIGURE 4 AND FIGURE 5**

SYMBOL	DESCRIPTION	MIN	TYP	MAX	UNIT
t <sub>1</sub>	CLK period (1/f <sub>CLK</sub> )	20	25	1000	ns
t <sub>2</sub>	CLK pulse width, high or low	10			ns
t <sub>7</sub>	Rising edge of $\overline{RD}$ and/or $\overline{CS}$ inactive (high) to DOUT high impedance		7	15	ns
t <sub>8</sub>	Falling edge of $\overline{RD}$ and/or $\overline{CS}$ active (low) to DOUT active.		7	15	ns
t <sub>13</sub>	Rising edge of CLK to $\overline{DRDY}$ high		12		ns
t <sub>14</sub>	$\overline{DRDY}$ period	8 × FIFO Level <sup>(1)</sup>			CLK Cycles
t <sub>15</sub>	$\overline{DRDY}$ positive pulse width		1		CLK Cycles
t <sub>16</sub>	$\overline{RD}$ high hold time after $\overline{DRDY}$ goes low	0			ns
t <sub>17</sub>	$\overline{CS}$ low before $\overline{RD}$ goes low	0			ns
t <sub>18</sub>	$\overline{RD}$ negative pulse width	10			ns
t <sub>19</sub>	$\overline{RD}$ positive pulse width	10			ns
t <sub>20</sub>	$\overline{RD}$ high before $\overline{DRDY}$ toggles	2			CLK Cycles
t <sub>21</sub>	$\overline{RD}$ high before $\overline{CS}$ goes high	0			ns

NOTE: DOUT[15:0] and  $\overline{DRDY}$  load = 10pF.

(1) See FIFO section for more details.



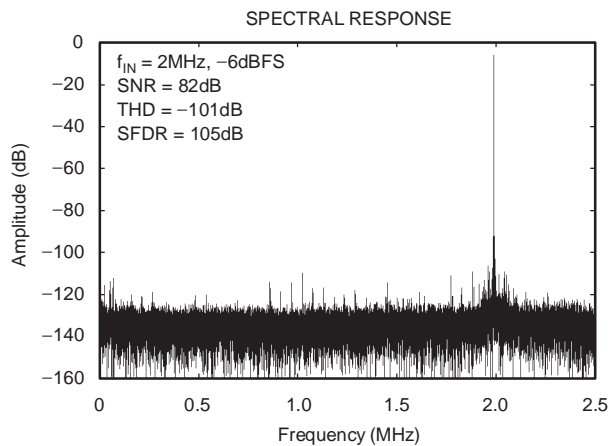
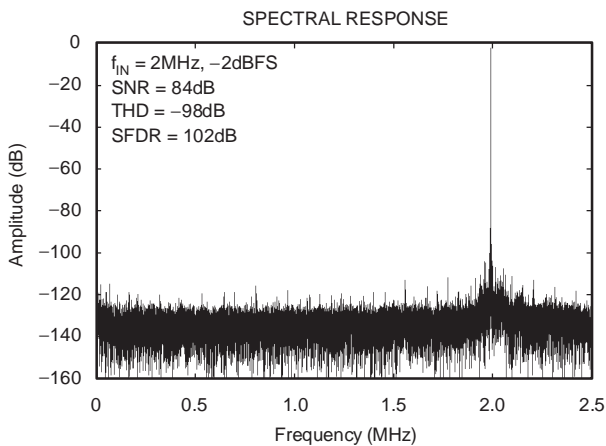
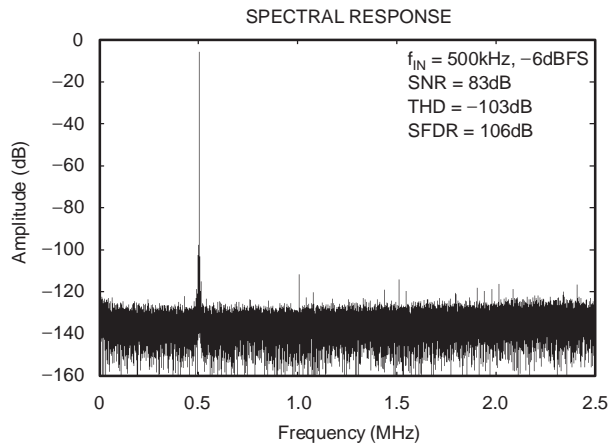
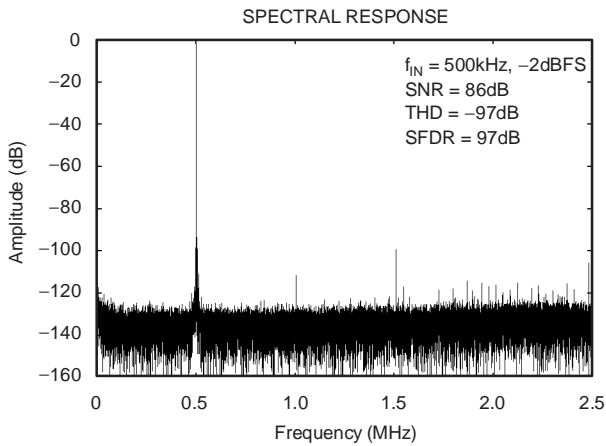
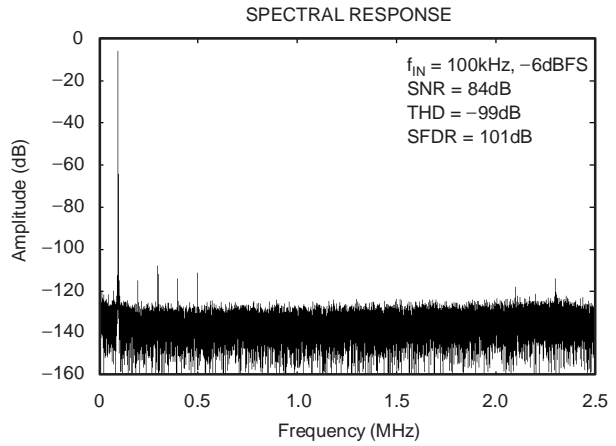
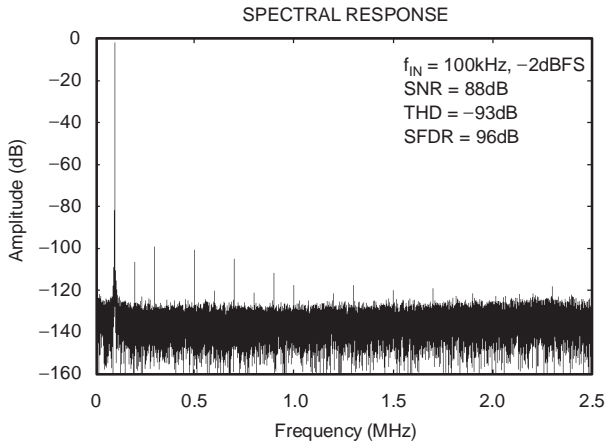
**Figure 6. Reset Timing (ADS1606 with FIFO Enabled)**

**TIMING REQUIREMENTS FOR FIGURE 6**

SYMBOL	DESCRIPTION	MIN	TYP	MAX	UNIT
t <sub>9</sub>	$\overline{\text{RESET}}$ pulse width	50			ns
t <sub>11</sub>	$\overline{\text{RESET}}$ rising edge to falling edge of CLK	-5		10	ns
t <sub>23</sub>	$\overline{\text{RD}}$ pulse low after $\overline{\text{RESET}}$ goes high	8			CLK Cycles
t <sub>24</sub>	$\overline{\text{RD}}$ pulse high before first $\overline{\text{DRDY}}$ pulse after $\overline{\text{RESET}}$ goes high	8			CLK Cycles
t <sub>25</sub>	$\overline{\text{DRDY}}$ low after $\overline{\text{RESET}}$ goes low	$8 \times (\text{FIFO level} + 1)$			CLK Cycles
t <sub>26</sub>	Delay from $\overline{\text{RESET}}$ high to valid DOUT (settling to 0.001%)		See Table 4		$\overline{\text{DRDY}}$ Cycles

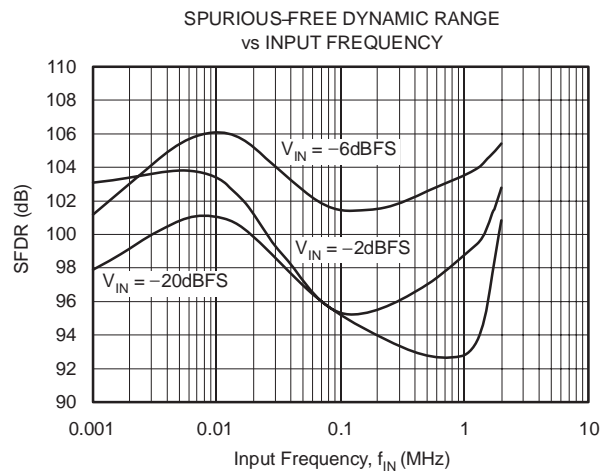
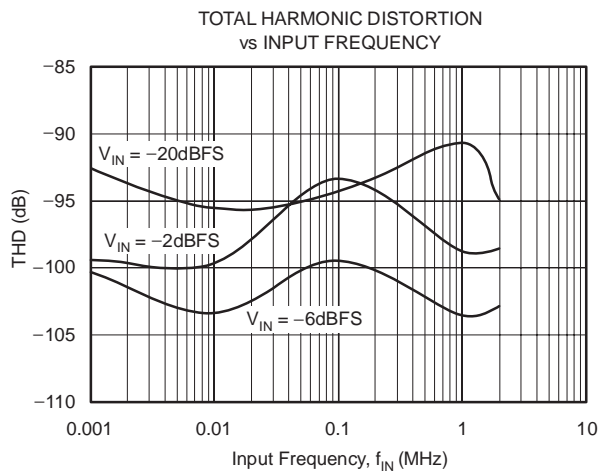
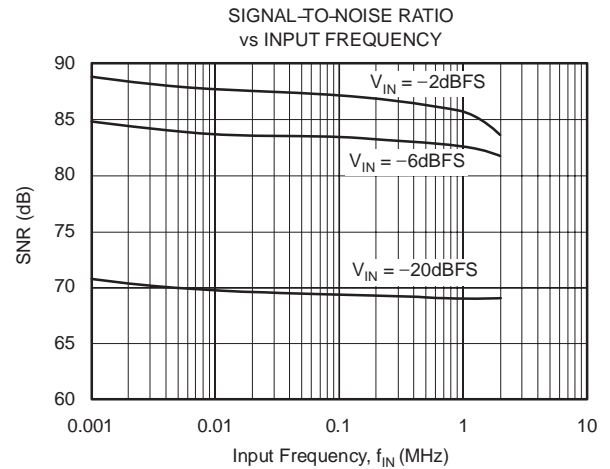
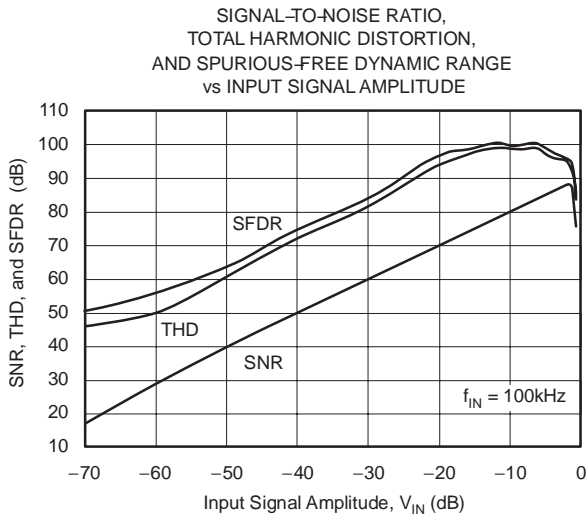
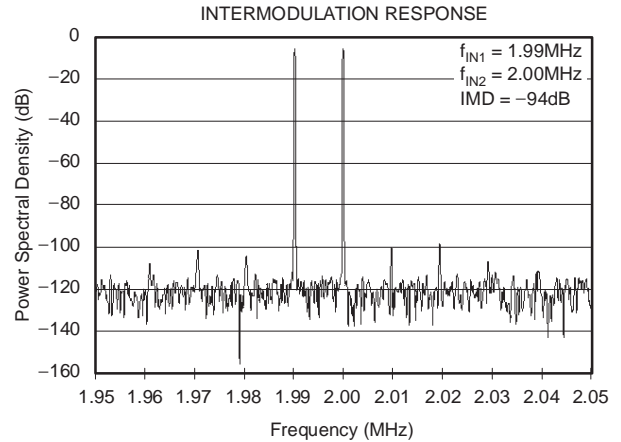
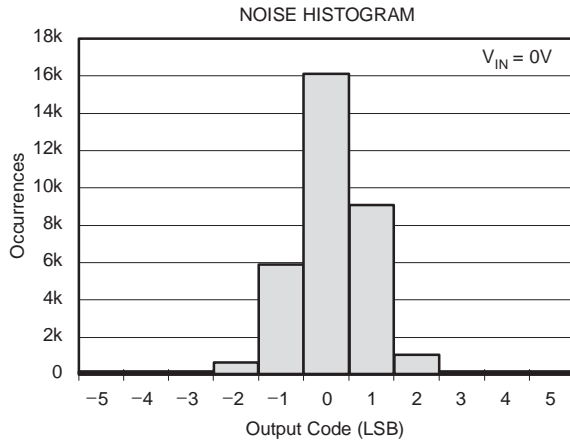
**TYPICAL CHARACTERISTICS**

All specifications at  $T_A = 25^\circ\text{C}$ ,  $AVDD = 5\text{V}$ ,  $DVDD = IOVDD = 3\text{V}$ ,  $f_{\text{CLK}} = 40\text{MHz}$ , External  $V_{\text{REF}} = +3\text{V}$ ,  $2\text{XMODE} = \text{low}$ ,  $V_{\text{CM}} = 2.0\text{V}$ , and  $R_{\text{BIAS}} = 37\text{k}\Omega$ , unless otherwise noted.



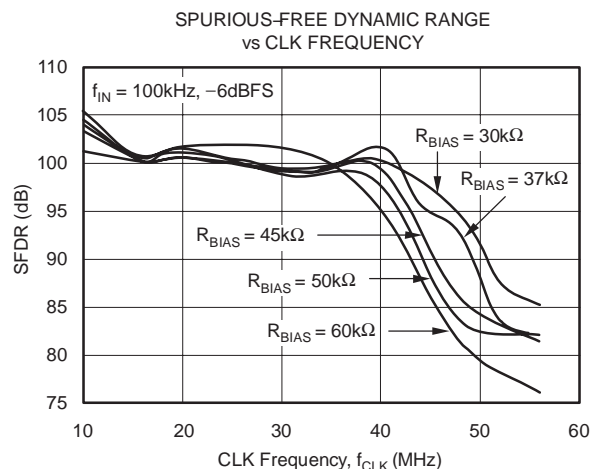
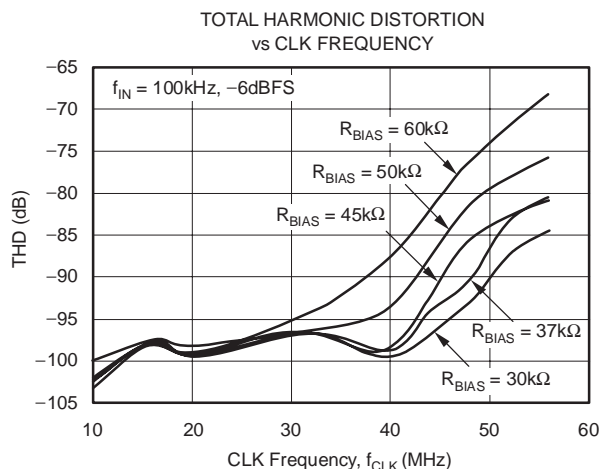
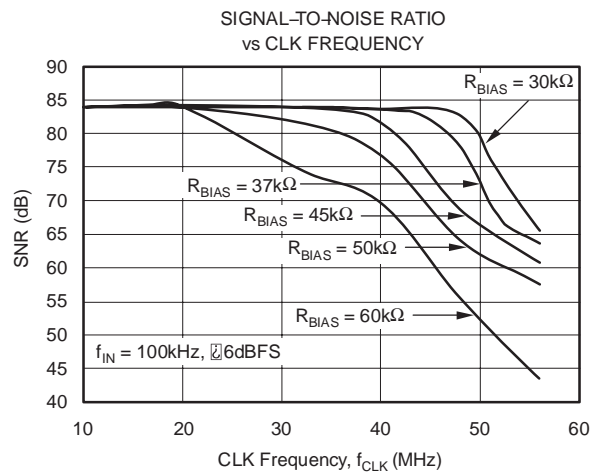
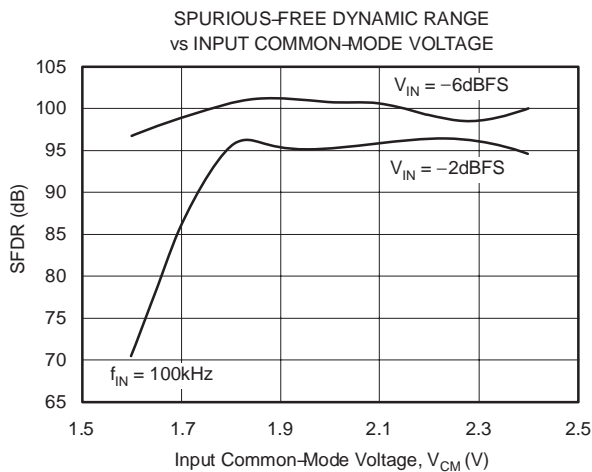
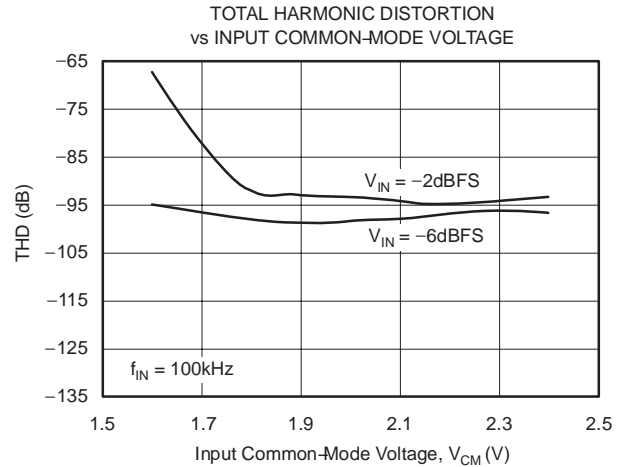
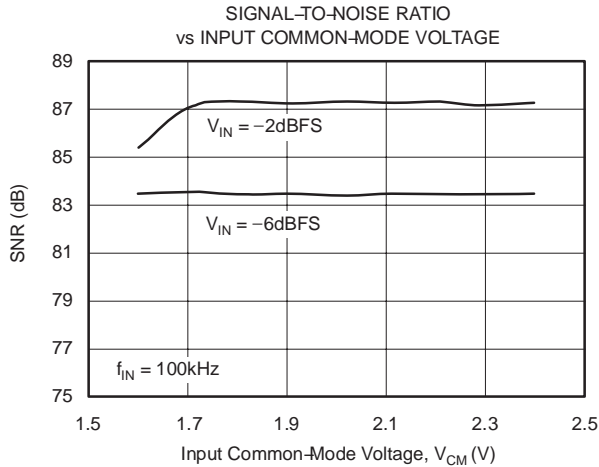
## TYPICAL CHARACTERISTICS (continued)

All specifications at  $T_A = 25^\circ\text{C}$ ,  $AV_{DD} = 5\text{V}$ ,  $DV_{DD} = IO_{VDD} = 3\text{V}$ ,  $f_{CLK} = 40\text{MHz}$ , External  $V_{REF} = +3\text{V}$ ,  $2X_{MODE} = \text{low}$ ,  $V_{CM} = 2.0\text{V}$ , and  $R_{BIAS} = 37\text{k}\Omega$ , unless otherwise noted.



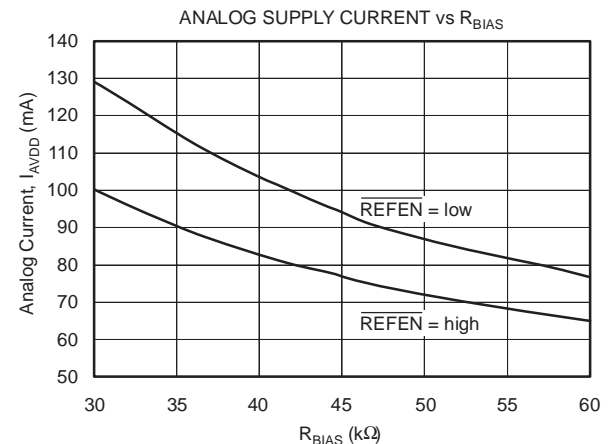
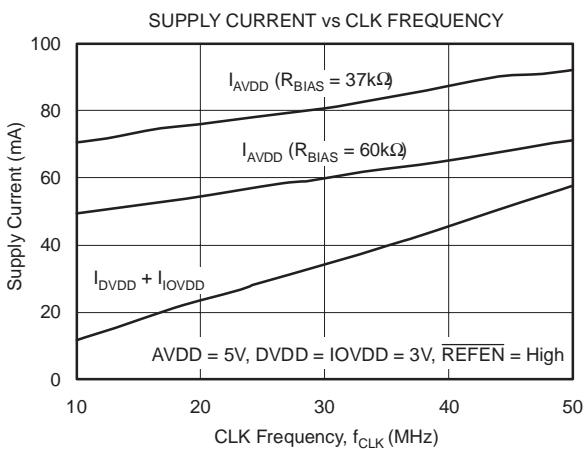
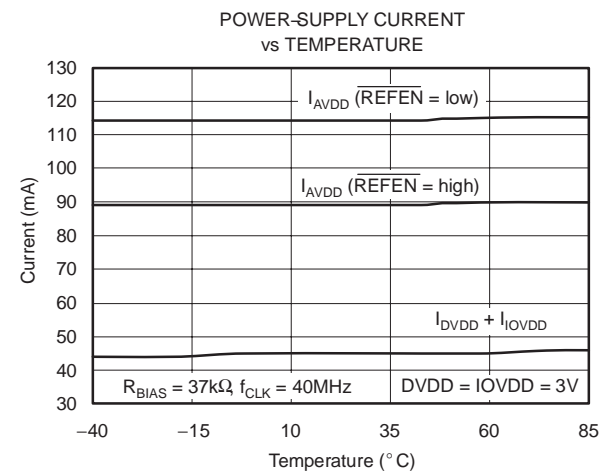
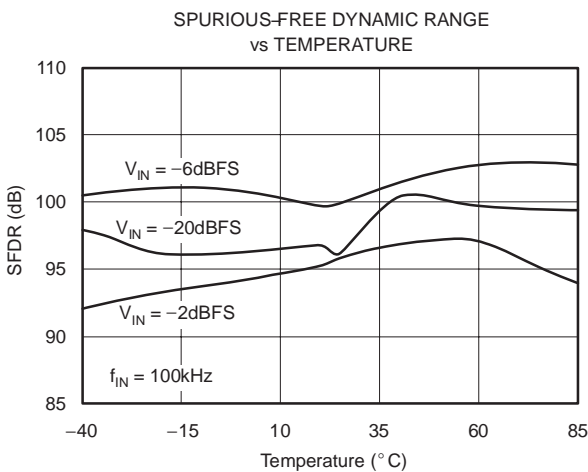
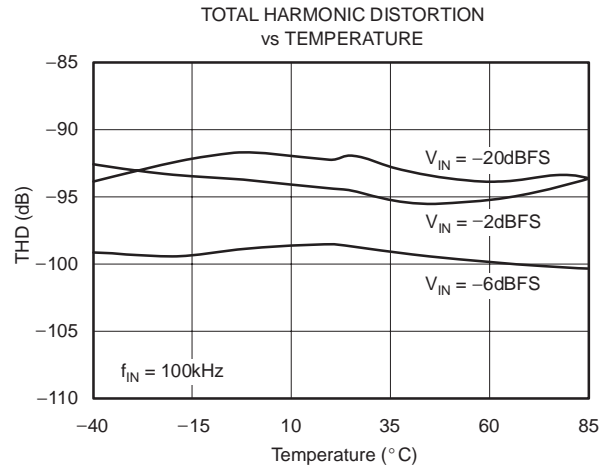
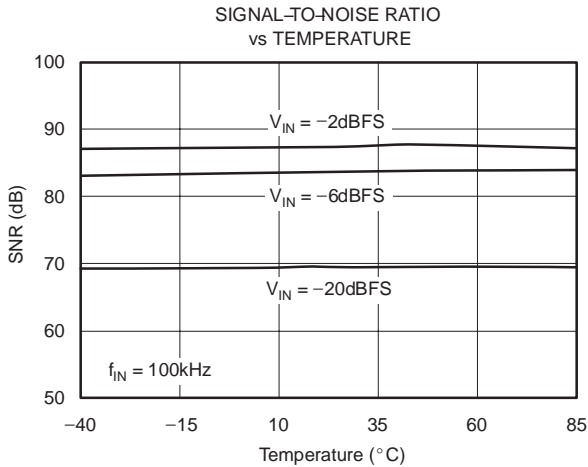
**TYPICAL CHARACTERISTICS (continued)**

All specifications at  $T_A = 25^\circ\text{C}$ ,  $AV_{DD} = 5\text{V}$ ,  $DV_{DD} = IOV_{DD} = 3\text{V}$ ,  $f_{CLK} = 40\text{MHz}$ , External  $V_{REF} = +3\text{V}$ ,  $2XMODE = \text{low}$ ,  $V_{CM} = 2.0\text{V}$ , and  $R_{BIAS} = 37\text{k}\Omega$ , unless otherwise noted.



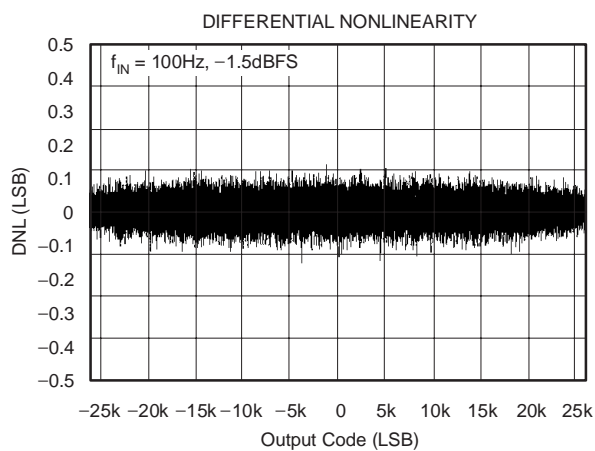
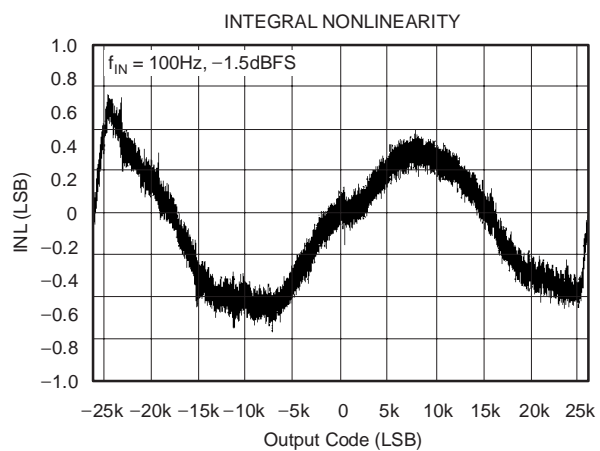
## TYPICAL CHARACTERISTICS (continued)

All specifications at  $T_A = 25^\circ\text{C}$ ,  $AVDD = 5\text{V}$ ,  $DVDD = IOVDD = 3\text{V}$ ,  $f_{\text{CLK}} = 40\text{MHz}$ , External  $V_{\text{REF}} = +3\text{V}$ ,  $2\text{XMODE} = \text{low}$ ,  $V_{\text{CM}} = 2.0\text{V}$ , and  $R_{\text{BIAS}} = 37\text{k}\Omega$ , unless otherwise noted.



## TYPICAL CHARACTERISTICS (continued)

All specifications at  $T_A = 25^\circ\text{C}$ ,  $AVDD = 5\text{V}$ ,  $DVDD = IOVDD = 3\text{V}$ ,  $f_{\text{CLK}} = 40\text{MHz}$ , External  $V_{\text{REF}} = +3\text{V}$ ,  $2\text{XMODE} = \text{low}$ ,  $V_{\text{CM}} = 2.0\text{V}$ , and  $R_{\text{BIAS}} = 37\text{k}\Omega$ , unless otherwise noted.





## OVERVIEW

The ADS1605 and ADS1606 are high-performance delta-sigma ADCs with a default oversampling ratio of 8. The modulator uses an inherently stable 2-1-1 pipelined delta-sigma modulator architecture incorporating proprietary circuitry that allows for very linear high-speed operation. The modulator samples the input signal at 40MSPS (when  $f_{CLK} = 40\text{MHz}$ ). A low-ripple linear phase digital filter decimates the modulator output to provide data output word rates of 5MSPS with a signal passband out to 2.45MHz. The 2X mode, enabled by a digital I/O pin, doubles the data rate to 10MSPS by reducing the oversampling ratio to 4. See the 2X Mode section for more details.

Conceptually, the modulator and digital filter measure the differential input signal,  $V_{IN} = (A_{INP} - A_{INN})$ , against the scaled differential reference,  $V_{REF} = (V_{REFP} - V_{REFN})$ , as shown in Figure 7. The voltage reference can either be generated internally or supplied externally. An 16-bit parallel data bus, designed for direct connection to DSPs, outputs the data. A separate power supply for the I/O allows flexibility for interfacing to different logic families. Out-of-range conditions are indicated with a dedicated digital output pin. Analog power dissipation is controlled using an external resistor. This allows reduced dissipation when operating at slower speeds. When not in use, power consumption can be dramatically reduced using the PD pin.

The ADS1606 incorporates an adjustable FIFO buffer for the output data. The level of the FIFO is set by the FIFO\_LEV[2:0] pins. Other than the FIFO buffer, the ADS1605 and ADS1606 are identical, and are referred to together in this data sheet as the ADS1605/6.

## ANALOG INPUTS (A<sub>INP</sub>, A<sub>INN</sub>)

The ADS1605/6 measures the differential signal,  $V_{IN} = (A_{INP} - A_{INN})$ , against the differential reference,  $V_{REF} = (V_{REFP} - V_{REFN})$ . The reference is scaled internally so that the full-scale differential input voltage is  $1.545V_{REF}$ . That is, the most positive measurable differential input is  $1.545V_{REF}$ , which produces the most positive digital

output code of 7FFFh. Likewise, the most negative measurable differential input is  $-1.545V_{REF}$ , which produces the most negative digital output code of 8000h.

The ADS1605/6 supports a very wide range of input signals. For  $V_{REF} = 3\text{V}$ , the full scale input voltages are  $\pm 4.6\text{V}$ . Having such a wide input range makes out-of-range signals unlikely. However, should an out-of-range signal occur, the digital output OTR will go high.

To achieve the highest analog performance, it is recommended that the inputs be limited to  $\pm 1.227V_{REF}$  ( $-2\text{dBFS}$ ). For  $V_{REF} = 3\text{V}$ , the corresponding recommended input range is  $\pm 3.68\text{V}$ .

The analog inputs must be driven with a differential signal to achieve optimum performance. The recommended common-mode voltage of the input signal,  $V_{CM} = \frac{A_{INP} + A_{INN}}{2}$ , is 2.0V. For signals larger than  $-2\text{dBFS}$ , the input common-mode voltage needs to be raised in order to meet the absolute input voltage specifications. The typical characteristics show how performance varies with input common-mode voltage.

In addition to the differential and common-mode input voltages, the absolute input voltage is also important. This is the voltage on either input (A<sub>INP</sub> or A<sub>INN</sub>) with respect to AGND. The range for this voltage is:

$$-0.1\text{V} < (A_{INN} \text{ or } A_{INP}) < 4.6\text{V}$$

If either input is taken below  $-0.1\text{V}$ , ESD protection diodes on the inputs will turn on. Exceeding 4.6V on either input will result in degradation in the linearity performance. ESD protection diodes will also turn on if the inputs are taken above AVDD (+5V).

For signals below  $-2\text{dBFS}$ , the recommended absolute input voltage is:

$$-0.1\text{V} < (A_{INN} \text{ or } A_{INP}) < 4.2\text{V}$$

Keeping the inputs within this range provides for optimum performance.

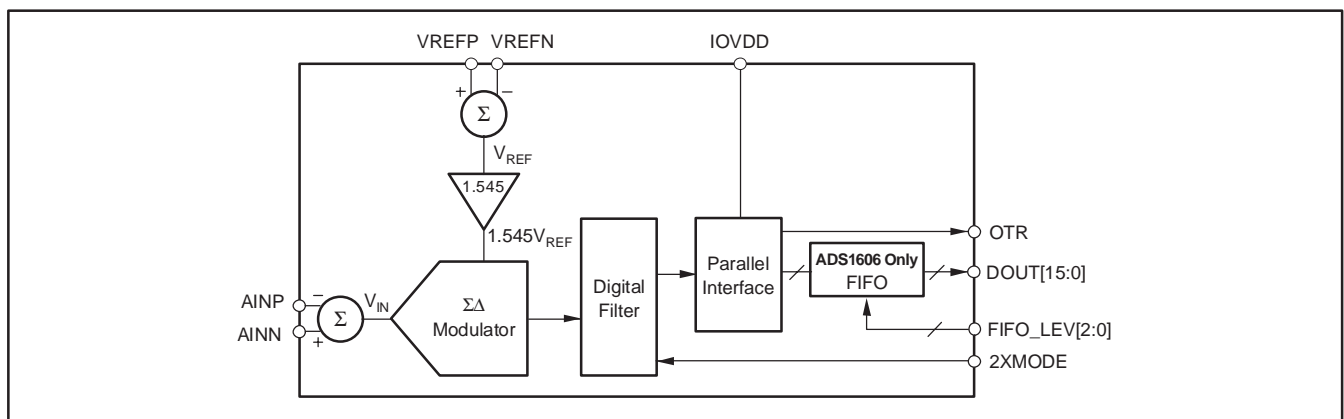
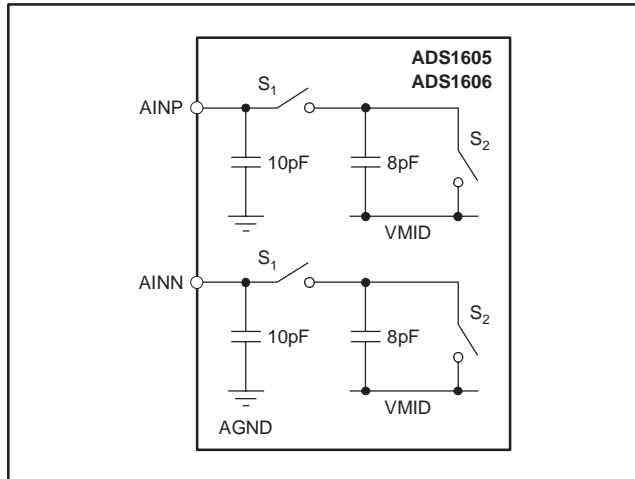


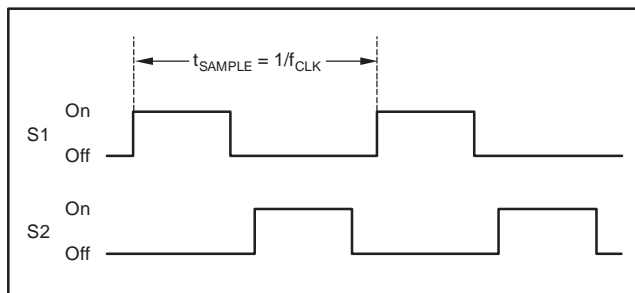
Figure 7. Conceptual Block Diagram

**INPUT CIRCUITRY**

The ADS1605/6 uses switched-capacitor circuitry to measure the input voltage. Internal capacitors are charged by the inputs and then discharged internally with this cycle repeating at the frequency of CLK. Figure 8 shows a conceptual diagram of these circuits. Switches S2 represent the net effect of the modulator circuitry in discharging the sampling capacitors, the actual implementation is different. The timing for switches S1 and S2 is shown in Figure 9.



**Figure 8. Conceptual Diagram of Internal Circuitry Connected to the Analog Inputs**



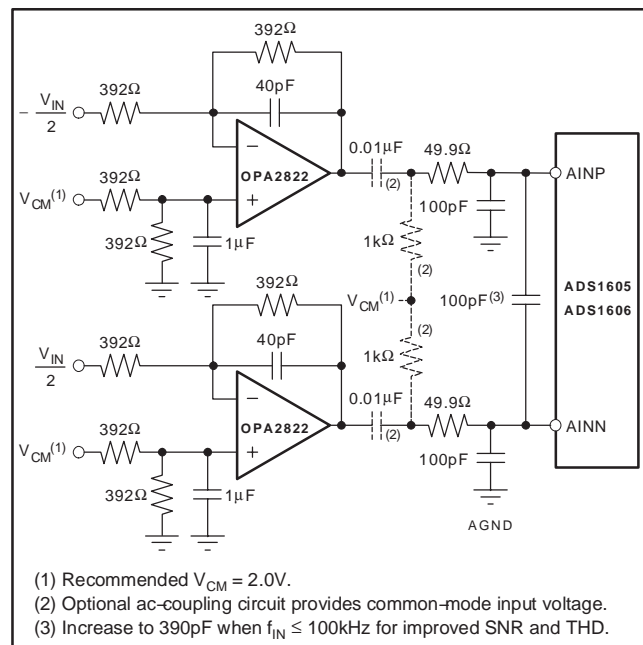
**Figure 9. Timing for the Switches in Figure 2**

**DRIVING THE INPUTS**

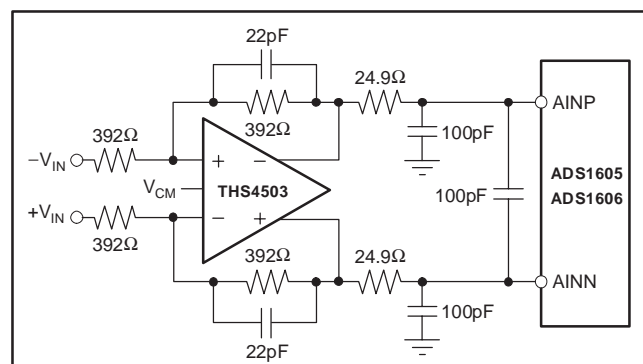
The external circuits driving the ADS1605/6 inputs must be able to handle the load presented by the switching capacitors within the ADS1605/6. The input switches S1 in Figure 5 are closed approximately one half of the sampling period,  $t_{sample}$ , allowing only  $\approx 12ns$  for the internal capacitors to be charged by the inputs, when  $f_{CLK} = 40MHz$ .

Figure 10 and Figure 11 show the recommended circuits when using single-ended or differential op amps, respectively. The analog inputs must be driven differentially to achieve optimum performance. The

external capacitors, between the inputs and from each input to AGND, improve linearity and should be placed as close to the pins as possible. Place the drivers close to the inputs and use good capacitor bypass techniques on their supplies; usually a smaller high-quality ceramic capacitor in parallel with a larger capacitor. Keep the resistances used in the driver circuits low—thermal noise in the driver circuits degrades the overall noise performance. When the signal can be ac-coupled to the ADS1605/6 inputs, a simple RC filter can set the input common mode voltage. The ADS1605/6 is a high-speed, high-performance ADC. Special care must be taken when selecting the test equipment and setup used with this device. Pay particular attention to the signal sources to ensure they do not limit performance when measuring the ADS1605/6.



**Figure 10. Recommended Driver Circuit Using the OPA2822**



**Figure 11. Recommended Driver Circuits Using the THS4503 Differential Amplifier**

### REFERENCE INPUTS (VREFN, VREFP, VMID)

The ADS1605/6 can operate from an internal or external voltage reference. In either case, the reference voltage  $V_{REF}$  is set by the differential voltage between VREFN and VREFP:  $V_{REF} = (V_{REFP} - V_{REFN})$ . VREFP and VREFN each use two pins, which should be shorted together. VMID equals approximately 2.5V and is used by the modulator. VCAP connects to an internal node and must also be bypassed with an external capacitor. For the best analog performance, it is recommended that an external reference voltage ( $V_{REF}$ ) of 3.0V be used.

### INTERNAL REFERENCE ( $\overline{REFEN} = \text{LOW}$ )

To use the internal reference, set the  $\overline{REFEN}$  pin low. This activates the internal circuitry that generates the reference voltages. The internal reference voltages are applied to the pins. Good bypassing of the reference pins is critical to achieve optimum performance and is done by placing the bypass capacitors as close to the pins as possible. Figure 12 shows the recommended bypass capacitor values. Use high quality ceramic capacitors for the smaller values. Avoid loading the internal reference with external circuitry. If the ADS1605/6 internal reference is to be used by other circuitry, buffer the reference voltages to prevent directly loading the reference pins.

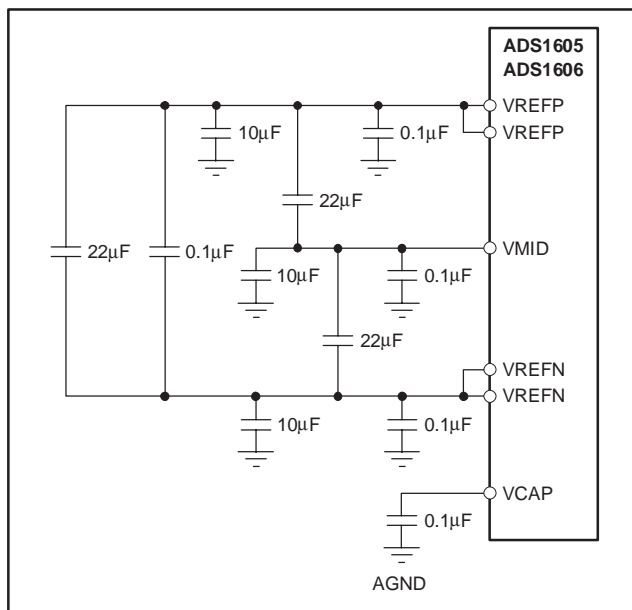


Figure 12. Reference Bypassing When Using the Internal Reference

### EXTERNAL REFERENCE ( $\overline{REFEN} = \text{HIGH}$ )

To use an external reference, set the  $\overline{REFEN}$  pin high. This deactivates the internal generators for VREFP, VREFN and VMID, and saves approximately 25mA of current on the analog supply (AVDD). The voltages applied to these pins must be within the values specified in the Electrical

Characteristics table. Typically  $V_{REFP} = 4V$ ,  $VMID = 2.5V$  and  $V_{REFN} = 1V$ . The external circuitry must be capable of providing both a dc and a transient current. Figure 13 shows a simplified diagram of the internal circuitry of the reference when the internal reference is disabled. As with the input circuitry, switches S1 and S2 open and close as shown in Figure 9.

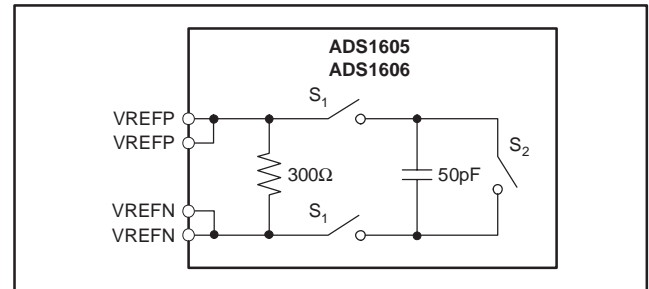


Figure 13. Conceptual Internal Circuitry for the Reference When  $\overline{REFEN} = \text{High}$

Figure 14 shows the recommended circuitry for driving these reference inputs. Keep the resistances used in the buffer circuits low to prevent excessive thermal noise from degrading performance. Layout of these circuits is critical, make sure to follow good high-speed layout practices. Place the buffers and especially the bypass capacitors as close to the pins as possible. VCAP is unaffected by the setting on  $\overline{REFEN}$  and must be bypassed when using the internal or an external reference.

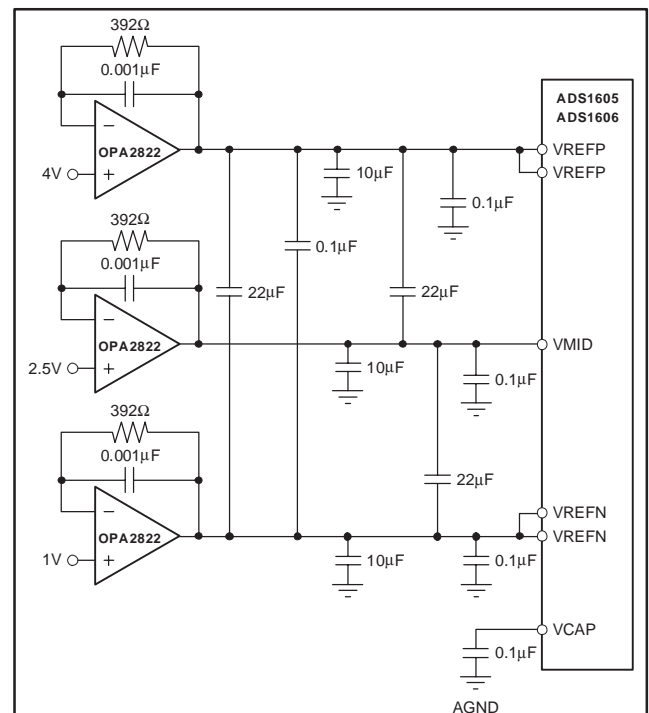


Figure 14. Recommended Buffer Circuit When Using an External Reference

**CLOCK INPUT (CLK)**

The ADS1605/6 requires an external clock signal to be applied to the CLK input pin. The sampling of the modulator is controlled by this clock signal. As with any high-speed data converter, a high quality clock is essential for optimum performance. Crystal clock oscillators are the recommended CLK source; other sources, such as frequency synthesizers are usually not adequate. Make sure to avoid excess ringing on the CLK input; keeping the trace as short as possible will help.

Measuring high frequency, large amplitude signals requires tight control of clock jitter. The uncertainty during sampling of the input from clock jitter limits the maximum achievable SNR. This effect becomes more pronounced with higher frequency and larger magnitude inputs. Fortunately, the ADS1605/6 oversampling topology reduces clock jitter sensitivity over that of Nyquist rate converters like pipeline and successive approximation converters by a factor of  $\sqrt{8}$ .

In order to not limit the ADS1605/6 SNR performance, keep the jitter on the clock source below the values shown in Table 1. When measuring lower frequency and lower amplitude inputs, more CLK jitter can be tolerated. In determining the allowable clock source jitter, select the worst-case input (highest frequency, largest amplitude) that will be seen in the application.

**Table 1. Maximum Allowable Clock Source Jitter for Different Input Signal Frequencies and Amplitude**

INPUT SIGNAL		MAXIMUM ALLOWABLE CLOCK SOURCE JITTER
MAXIMUM FREQUENCY	MAXIMUM AMPLITUDE	
2MHz	-2dB	1.9ps
2MHz	-20dB	14ps
1MHz	-2dB	3.8ps
1MHz	-20dB	28ps
500kHz	-2dB	7.6ps
500kHz	-20dB	57ps
100kHz	-2dB	38ps
100kHz	-20dB	285ps

**DATA FORMAT**

The 16-bit output data is in binary two's complement format as shown in Table 2. When the input is positive out-of-range, exceeding the positive full-scale value of  $1.545V_{REF}$ , the output clips to all 7FFFh and the OTR output goes high.

Likewise, when the input is negative out-of-range by going below the negative full-scale value of  $-1.545V_{REF}$ , the output clips to 8000h and the OTR output goes high. The OTR remains high while the input signal is out-of-range.

**Table 2. Output Code Versus Input Signal**

INPUT SIGNAL (INP – INN)	IDEAL OUTPUT CODE(1)	OTR
$\geq +1.545V_{REF}$ (> 0dB)	7FFF <sub>H</sub>	1
$1.545V_{REF}$ (0dB)	7FFF <sub>H</sub>	0
$\frac{+1.545V_{REF}}{2^{15} - 1}$	0001 <sub>H</sub>	0
0	0000 <sub>H</sub>	0
$\frac{-1.545V_{REF}}{2^{15} - 1}$	FFFF <sub>H</sub>	0
$-1.545V_{REF} \left( \frac{2^{15}}{2^{15} - 1} \right)$	8000 <sub>H</sub>	0
$\leq -1.545V_{REF} \left( \frac{2^{15}}{2^{15} - 1} \right)$	8000 <sub>H</sub>	1

(1) Excludes effects of noise, INL, offset and gain errors.

**OUT-OF-RANGE INDICATION (OTR)**

If the output code on DOUT[15:0] exceeds the positive or negative full-scale, the out-of-range digital output OTR will go high on the falling edge of  $\overline{DRDY}$ . When the output code returns within the full-scale range, OTR returns low on the falling edge of  $\overline{DRDY}$ .

**DATA RETRIEVAL**

Data retrieval is controlled through a simple parallel interface. The falling edge of the  $\overline{DRDY}$  output indicates new data is available. To activate the output bus, both  $\overline{CS}$  and  $\overline{RD}$  must be low, as shown in Table 3. Make sure the DOUT bus does not drive heavy loads (> 20pF), as this will degrade performance. Use an external buffer when driving an edge connector or cables.

**Table 3. Truth Table for  $\overline{CS}$  and  $\overline{RD}$**

$\overline{CS}$	$\overline{RD}$	DOUT[15:0]
0	0	Active
0	1	High impedance
1	0	High impedance
1	1	High impedance

### RESETTING THE ADS1605

The ADS1605 and ADS1606 with FIFO disabled are asynchronously reset when the  $\overline{\text{RESET}}$  pin is taken low. During reset, all of the digital circuits are cleared,  $\text{DOUT}[15:0]$  are forced low, and  $\overline{\text{DRDY}}$  forced high. It is recommended that the  $\overline{\text{RESET}}$  pin be released on the falling edge of CLK. Afterwards,  $\overline{\text{DRDY}}$  goes low on the second rising edge of CLK. Allow 47  $\overline{\text{DRDY}}$  cycles for the digital filter to settle before retrieving data. See Figure 3 for the timing specifications.

Reset can be used to synchronize multiple ADS1605s. All devices to be synchronized must use a common CLK input. With the CLK inputs running, pulse  $\overline{\text{RESET}}$  on the falling edge of CLK, as shown in Figure 15. Afterwards, the converters will be converting synchronously with the  $\overline{\text{DRDY}}$  outputs updating simultaneously. After synchronization, allow 47  $\overline{\text{DRDY}}$  cycles ( $t_{12}$ ) for output data to fully settle.

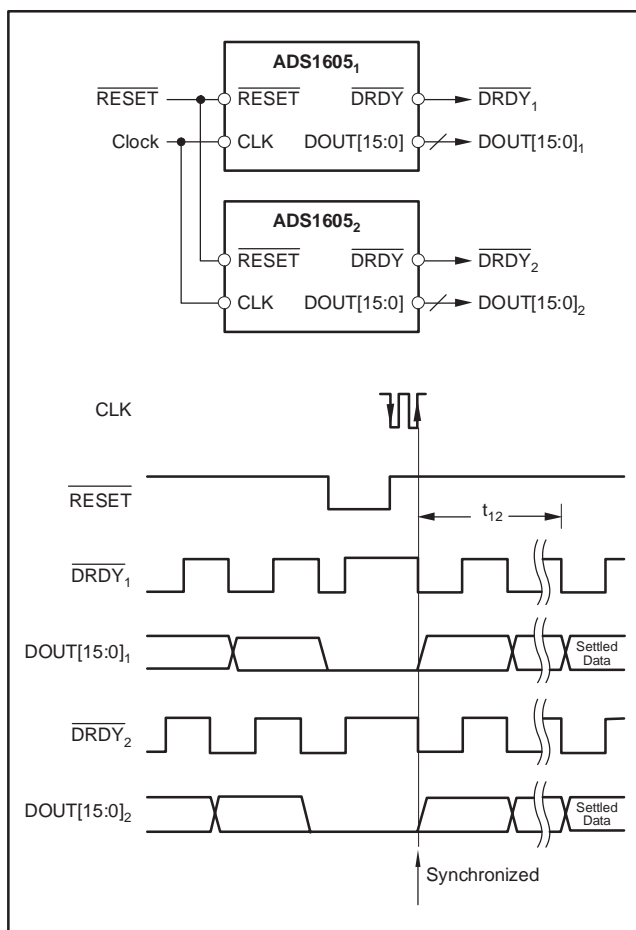


Figure 15. Synchronizing Multiple Converters

### RESETTING THE ADS1606

The ADS1606 with the FIFO enabled requires a different reset sequence than the ADS1605, as shown in Figure 16. Ignore any  $\overline{\text{DRDY}}$  toggles that occur while  $\overline{\text{RESET}}$  is low. Release  $\overline{\text{RESET}}$  on the rising edge of CLK, then afterwards toggle  $\overline{\text{RD}}$  to complete the reset sequence.

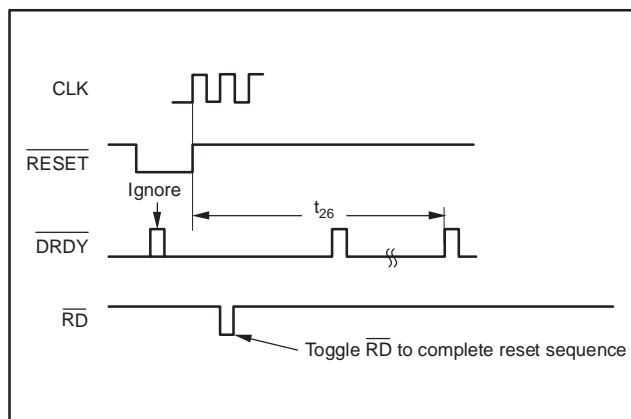


Figure 16. Resetting the ADS1606 with the FIFO Enabled

After resetting, the settling time for the ADS1606 is 47 CLK cycles, regardless of the FIFO level. Therefore, for higher FIFO levels, it takes fewer  $\overline{\text{DRDY}}$  cycles to settle because the  $\overline{\text{DRDY}}$  period is longer. Table 4 shows the number of  $\overline{\text{DRDY}}$  cycles required to settle for each FIFO level.

Table 4. ADS1606 Reset Settling

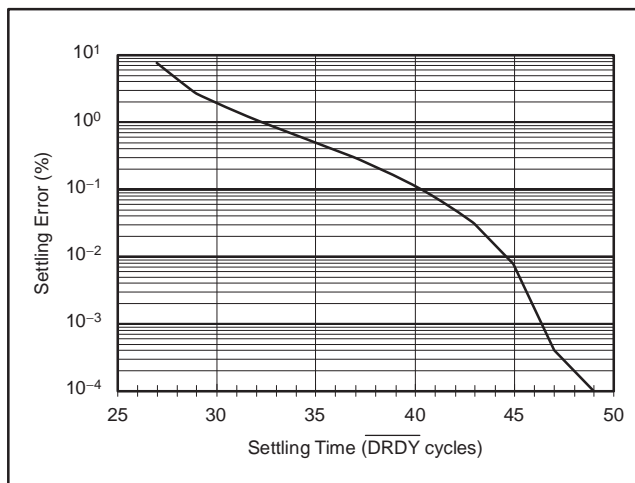
FIFO LEVEL	FILTER SETTling TIME AFTER RESET ( $t_{26}$ in units of $\overline{\text{DRDY}}$ cycles )
2	24
4	12
6	8
8	6
10	5
12	4
14	4

**SETTLING TIME**

The settling time is an important consideration when measuring signals with large steps or when using a multiplexer in front of the analog inputs. The ADS1605/6 digital filter requires time for an instantaneous change in signal level to propagate to the output.

Be sure to allow the filter time to settle after applying a large step in the input signal, switching the channel on a multiplexer placed in front of the inputs, resetting the ADS1605/6, or exiting the power-down mode,

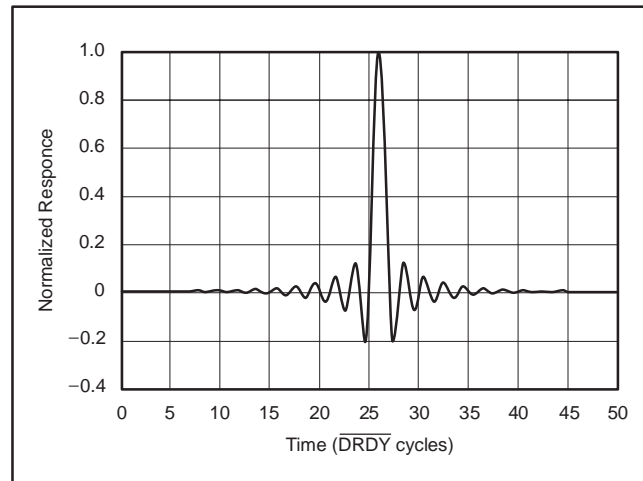
Figure 17 shows the settling error as a function of time for a full-scale signal step applied at  $t = 0$  with 2XMODE = low. This figure uses  $\overline{\text{DRDY}}$  cycles (for the ADS1605 or the ADS1606 with FIFO disabled) for the time scale (X-axis). After 47  $\overline{\text{DRDY}}$  cycles, the settling error drops below 0.001%. For  $f_{\text{CLK}} = 40\text{MHz}$ , this corresponds to a settling time of  $9.4\mu\text{s}$ .



**Figure 17. Settling Time**

**IMPULSE RESPONSE**

Figure 18 plots the normalized response for an input applied at  $t = 0$  with 2XMODE = low. The X-axis units of time are  $\overline{\text{DRDY}}$  cycles (for the ADS1605 or the ADS1606 with FIFO disabled). As shown in Figure 18, the peak of the impulse takes 26  $\overline{\text{DRDY}}$  cycles to propagate to the output. For  $f_{\text{CLK}} = 40\text{MHz}$ , a  $\overline{\text{DRDY}}$  cycle is  $0.2\mu\text{s}$  in duration and the propagation time (or group delay) is  $26 \times 0.2\mu\text{s} = 5.2\mu\text{s}$ .



**Figure 18. Impulse Response**

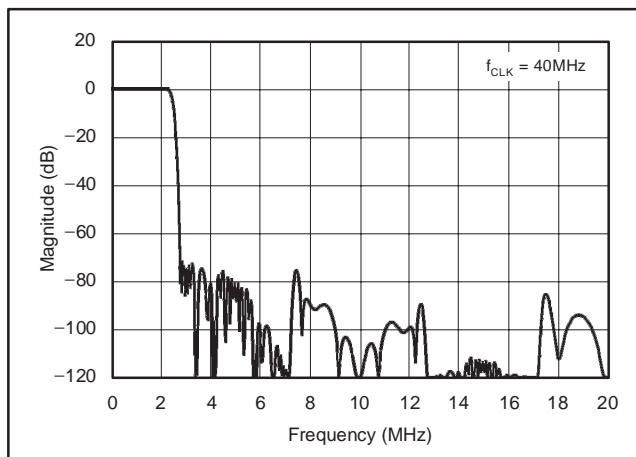


## FREQUENCY RESPONSE

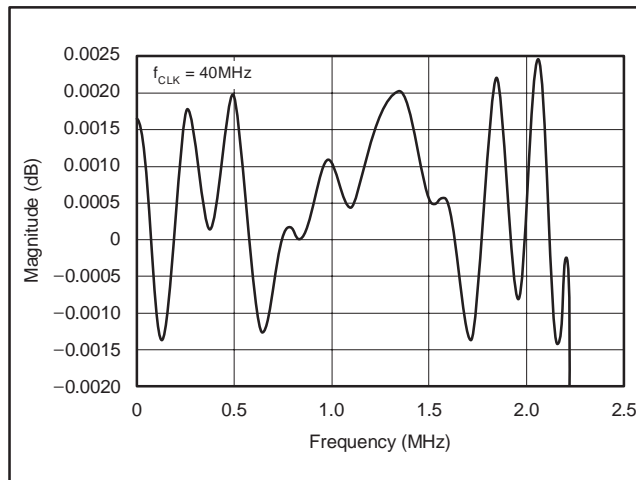
The linear phase FIR digital filter sets the overall frequency response. The decimation rate is set to 8 (2XMODE = low) for all the figures shown in this section. Figure 19 shows the frequency response from dc to 20MHz for  $f_{CLK} = 40\text{MHz}$ . The frequency response of the ADS1605/6 filter scales directly with CLK frequency. For example, if the CLK frequency is decreased by half (to 20MHz), the values on the X-axis in Figure 19 would need to be scaled by half, with the span becoming dc to 10MHz.

Figure 20 shows the passband ripple from dc to 2.2MHz ( $f_{CLK} = 40\text{MHz}$ ). Figure 21 shows a closer view of the passband transition by plotting the response from 2.0MHz to 2.5MHz ( $f_{CLK} = 40\text{MHz}$ ).

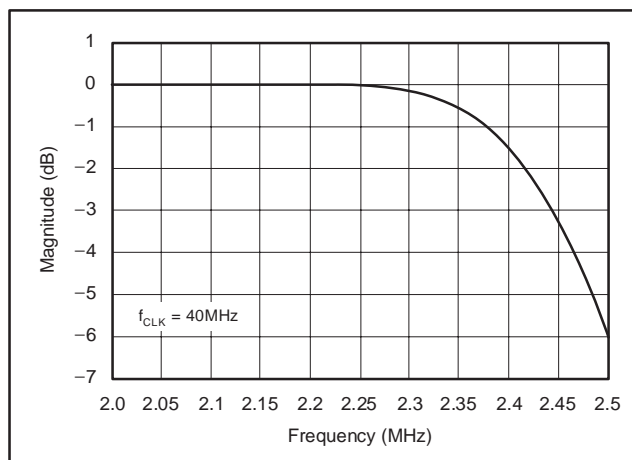
The overall frequency response repeats at multiples of the CLK frequency. To help illustrate this, Figure 22 shows the response out to 120MHz ( $f_{CLK} = 40\text{MHz}$ ). Notice how the passband response repeats at 40MHz, 80MHz and 120MHz; it is important to consider this when there is high-frequency noise present with the signal. The modulator bandwidth extends to 100MHz. High-frequency noise around 40MHz and 80MHz will not be attenuated by either the modulator or the digital filter. This noise will alias back in-band and reduce the overall SNR performance unless it is filtered out prior to the ADS1605/6. To prevent this, place an anti-alias filter in front of the ADS1605/6 that rolls off before 37MHz.



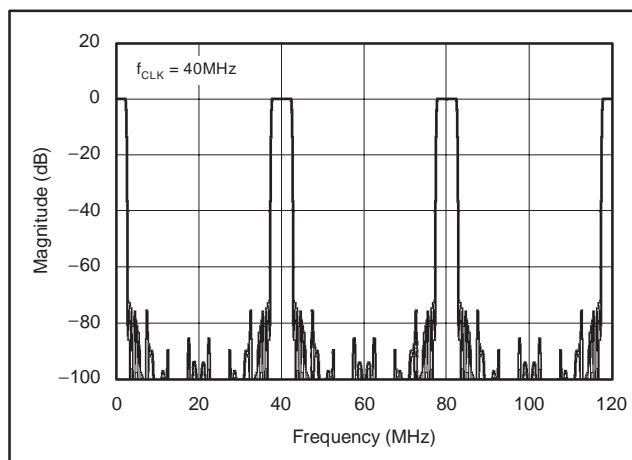
**Figure 19. Frequency Response.**



**Figure 20. Passband Ripple**



**Figure 21. Passband Transition**



**Figure 22. Frequency Response Out to 120MHz**

**FIFO (ADS1606 ONLY)**

The ADS1606 includes an adjustable level first-in first-out buffer (FIFO) for the output data. The FIFO allows data to be temporarily stored within the ADS1606 to provide more flexibility for the host controller when retrieving data. Pins FIFO\_LEV[2:0] set the level or depth of the FIFO. *Note that these pins must be left unconnected on the ADS1605.* The FIFO is enabled by setting at least one of the FIFO\_LEV inputs high. Table 5 shows the corresponding FIFO level and  $\overline{\text{DRDY}}$  period for the different combinations of FIFO\_LEV[2:0] settings. For the best performance when using the FIFO, it is recommended to:

1. Set IOVDD = 3V.
2. Synchronize data retrieval with CLK.
3. Minimize loading on outputs DOUT[15:0].
4. Ensure rise and fall times on CLK and  $\overline{\text{RD}}$  are 1ns or longer.

**Table 5. FIFO Buffer Level Settings for the ADS1606**

FIFO_LEV[2:0]	FIFO BUFFER LEVEL	$\overline{\text{DRDY}}$ PERIOD
000	0: disabled, operates like ADS1605	8/fCLK
001	2	16/fCLK
010	4	32/fCLK
011	6	48/fCLK
100	8	64/fCLK
101	10	80/fCLK
110	12	96/fCLK
111	14	112/fCLK

**FIFO Operation**

The ADS1606 FIFO collects the number of output readings set by the level corresponding to the FIFO\_LEV[2:0] setting. When the specified level is reached,  $\overline{\text{DRDY}}$  is pulsed high, indicating the data in the FIFO is ready to be read. The  $\overline{\text{DRDY}}$  period is a function of the FIFO level, as shown in Table 5. To read the data, make sure  $\overline{\text{CS}}$  is low (it is acceptable to tie it low) and then

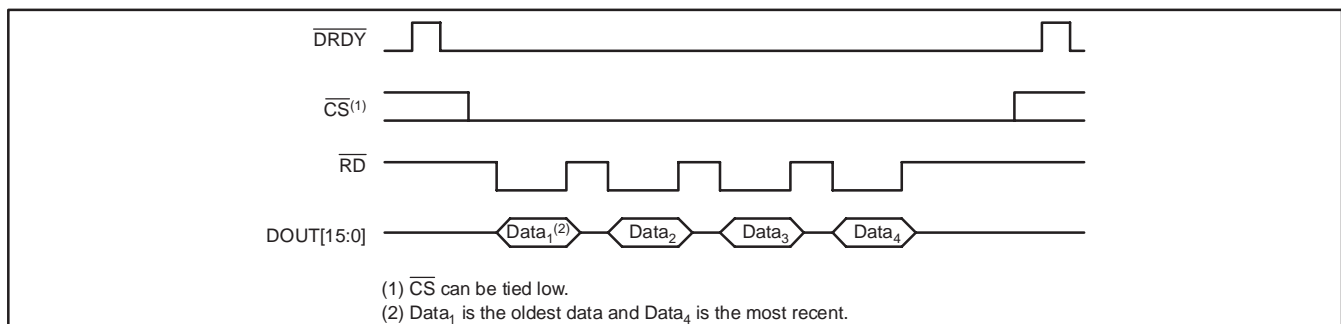
take  $\overline{\text{RD}}$  low. The first, or oldest, data will be presented on the data output pins. After reading this data, advance to the next data reading by toggling  $\overline{\text{RD}}$ . On the next falling edge of  $\overline{\text{RD}}$ , the second data is present on the data output pins. Continue this way until all the data have been read from the FIFO, making sure to take  $\overline{\text{RD}}$  high when complete. Afterwards, wait until  $\overline{\text{DRDY}}$  toggles and repeat the readback cycle. Figure 23 shows an example readback when FIFO\_LEV[2:0] = 010 (level = 4).

**Readback considerations**

The exact number of data readings set by the FIFO level must be read back each time  $\overline{\text{DRDY}}$  toggles. The one exception is that readback can be skipped entirely. In this case, the  $\overline{\text{DRDY}}$  period increases to 128 CLK period. Figure 24 shows an example when readback is skipped with the FIFO level = 4. Do not read back more or less readings from the FIFO than set by the level. This interrupts the FIFO operation and can cause  $\overline{\text{DRDY}}$  to stay low indefinitely. If this occurs, the  $\overline{\text{RESET}}$  pin must be toggled followed by a  $\overline{\text{RD}}$  pulse. This resets the ADS1606 FIFO and also the digital filter, which then must settle afterwards before valid data is ready. See the section, *Resetting the ADS1606*, for more details.

**Setting the FIFO Level**

The FIFO level setting is usually a static selection that is set when power is first applied to the ADS1606. If the FIFO level needs to be changed after powerup, there are two options. One is to asynchronously set the new value on pin FIFO\_LEV[2:0] then toggle  $\overline{\text{RESET}}$ . Remember that the ADS1606 will need to settle after resetting. See the section, *Resetting the ADS1606*, for more details. The other option avoids requiring a reset, but needs synchronization of the FIFO level change with the readback. The FIFO\_LEV[2:0] pins have to be changed after  $\overline{\text{RD}}$  goes high after reading the first data, but before  $\overline{\text{RD}}$  goes low to read the last data from the FIFO. The new FIFO level becomes active immediately and the  $\overline{\text{DRDY}}$  period adjusts accordingly. When decreasing the FIFO level this way, make sure to give adequate time for readback of the data before setting the new, smaller level. Figure 25 shows an example of a synchronized FIFO level change from 4 to 8.



**Figure 23. Example of FIFO Readback when FIFO Level = 4**



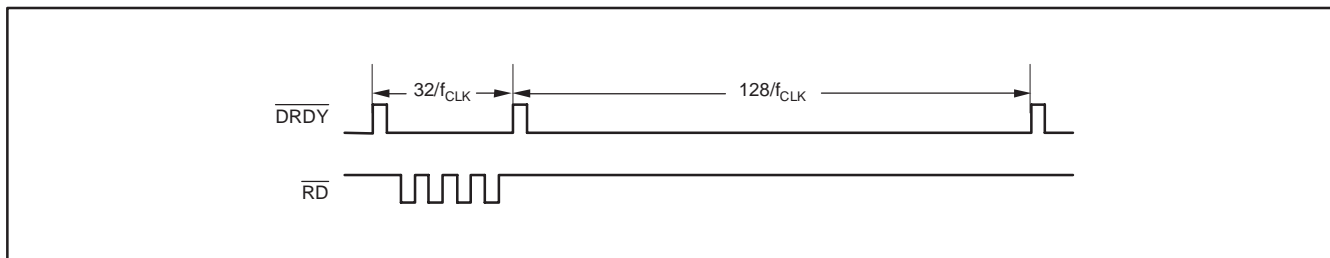


Figure 24. Example of Skipping Readback when FIFO Level = 4

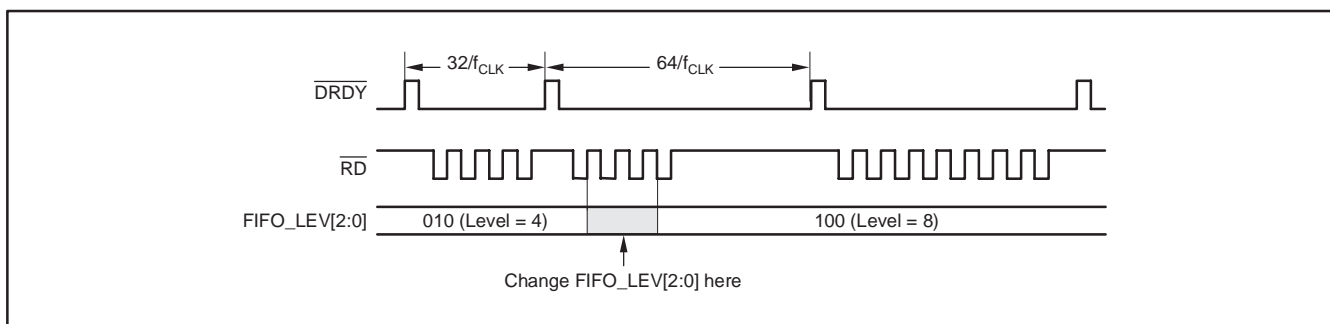


Figure 25. Example of Synchronized Change of FIFO Level from 4 to 8

### ANALOG POWER DISSIPATION

An external resistor connected between the R<sub>BIAS</sub> pin and the analog ground sets the analog current level, as shown in Figure 26. The current is inversely proportional to the resistor value. Table 6 shows the recommended values of R<sub>BIAS</sub> for different CLK frequencies. Notice that the analog current can be reduced when using a slower frequency CLK input because the modulator has more time to settle. Avoid adding any capacitance in parallel to R<sub>BIAS</sub>, since this will interfere with the internal circuitry used to set the biasing.

Table 6. Recommended R<sub>BIAS</sub> Resistor Values for Different CLK Frequencies

f <sub>CLK</sub>	DATA RATE	R <sub>BIAS</sub>	TYPICAL POWER DISSIPATION WITH REFEN HIGH
16MHz	2MHz	60kΩ	315mW
24MHz	3MHz	50kΩ	400mW
32MHz	4MHz	45kΩ	475mW
40MHz	5MHz	37kΩ	570mW

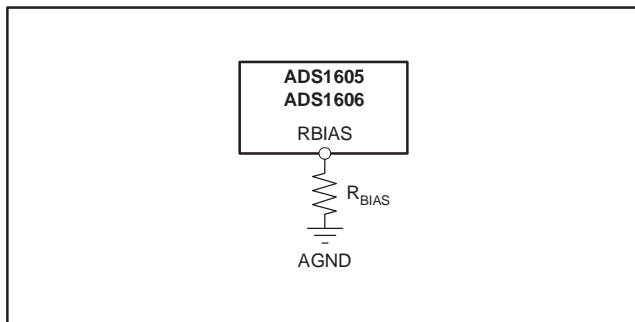


Figure 26. External Resistor Used to Set Analog Power Dissipation

### POWER DOWN ( $\overline{PD}$ )

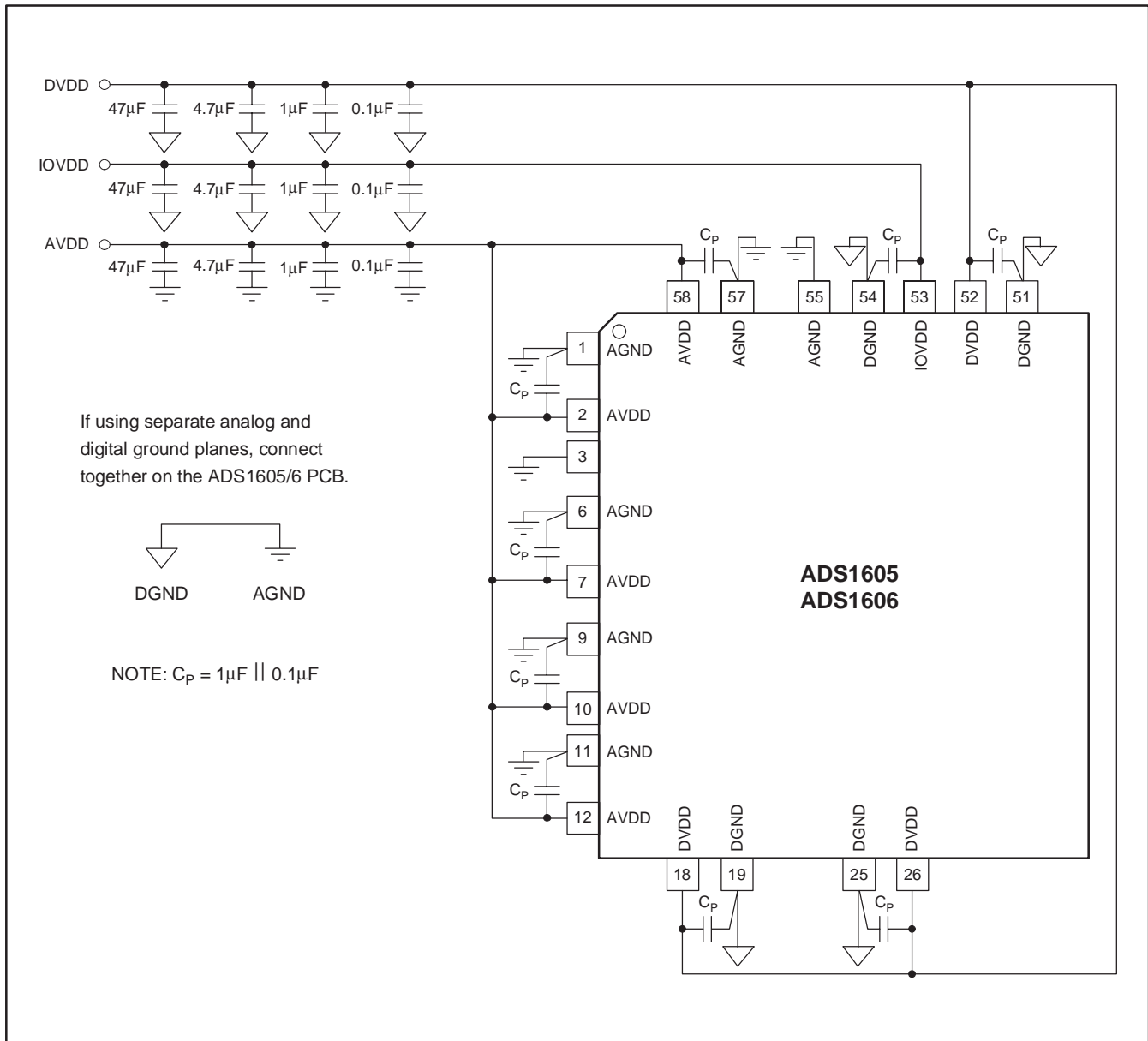
When not in use, the ADS1605/6 can be powered down by taking the  $\overline{PD}$  pin low. All circuitry will be shutdown, including the voltage reference. To minimize the digital current during power down, stop the clock signal supplied to the CLK input. There is an internal pull-up resistor of 170kΩ on the  $\overline{PD}$  pin, but it is recommended that this pin be connected to IOVDD if not used. If using the ADS1606 with the FIFO enabled, issue a reset after exiting power-down mode. Make sure to allow time for the reference to start up after exiting power-down mode. The internal reference typically requires 15ms. After the reference has stabilized, allow at least 100  $\overline{DRDY}$  cycles for the modulator and digital filter to settle before retrieving data.

**POWER SUPPLIES**

Three supplies are used on the ADS1605/6: analog (AVDD), digital (DVDD) and digital I/O (IOVDD). Each supply must be suitably bypassed to achieve the best performance. It is recommended that a 1μF and 0.1μF ceramic capacitor be placed as close to each supply pin as possible. Connect each supply-pin bypass capacitor to the

associated ground, as shown in Figure 27. Each main supply bus should also be bypassed with a bank of capacitors from 47μF to 0.1μF, as shown.

The IO and digital supplies (IOVDD and DVDD) can be connected together when using the same voltage. In this case, only one bank of 47μF to 0.1μF capacitors is needed on the main supply bus, though each supply pin must still be bypassed with a 1μF and 0.1μF ceramic capacitor.



**Figure 27. Recommended Power-Supply Bypassing**

## 2X MODE

The 2XMODE digital input determines the performance (16-bit or 14-bit) by setting the oversampling ratio. When 2XMODE = low, the oversampling ratio = 8 for 16-bit performance. When 2XMODE = high, the oversampling ratio = 4 for 14-bit performance. Note that when 2XMODE is high, all 16 bits of DOUT remain active. Decreasing the oversampling ratio from 8 to 4 doubles the data rate in 2X mode. For  $f_{CLK} = 40\text{MHz}$ , the data rate then becomes 10MSPS. In addition, the group delay decreases to  $0.9\mu\text{s}$  and the settling time becomes  $1.3\mu\text{s}$  or  $13 \overline{\text{DRDY}}$  cycles. With the reduced oversampling in 2X mode, the noise increases. Typical SNR performance degrades by 14dB. THD remains approximately the same. There is an internal pull-down resistor of  $170\text{k}\Omega$  on the 2XMODE, however, it is recommended this pin be forced either high or low. For more information on the performance of the 2X mode, see application note *Operating the ADS1605 and ADS1606 in 2X Mode: 10MSPS* (SLAA180), available for download at [www.ti.com](http://www.ti.com).

## LAYOUT ISSUES

The ADS1605/6 is a very high-speed, high-resolution data converter. In order to achieve the maximum performance, careful attention must be given to the printed circuit board (PCB) layout. Use good high-speed techniques for all circuitry. Critical capacitors should be placed close to pins as possible. These include capacitors directly connected to the analog and reference inputs and the power supplies. Make sure to also properly bypass all circuitry driving the inputs and references.

Two approaches can be used for the ground planes: either a single common plane; or two separate planes, one for the analog grounds and one for the digital grounds. When using only one common plane, isolate the flow of current on pin 57 from pin 1; use breaks on the ground plane to accomplish this. Pin 57 carries the switching current from the analog clocking for the modulator and can corrupt the quiet analog ground on pin 1. When using two planes, it is recommended that they be tied together right at the PCB. Do not try to connect the ground planes together after running separately through edge connectors or cables as this reduces performance and increases the likelihood of latchup.

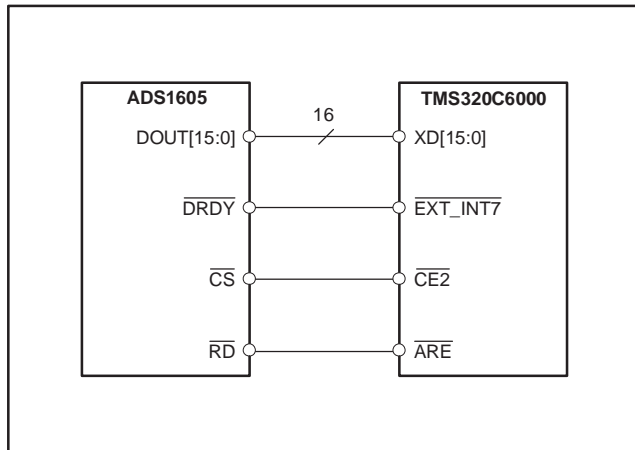
In general, keep the resistances used in the driving circuits for the inputs and reference low to prevent excess thermal noise from degrading overall performance. Avoid having the ADS1605/6 digital outputs drive heavy loads. Buffers on the outputs are recommended unless the ADS1605/6 is connected directly to a DSP or controller situated nearby. Additionally, make sure the digital inputs are driven with clean signals as ringing on the inputs can introduce noise.

The ADS1605/6 uses TI PowerPAD technology. The PowerPAD is physically connected to the substrate of the silicon inside the package and must be soldered to the analog ground plane on the PCB using the exposed metal pad underneath the package for proper heat dissipation. Please refer to application report SLMA002, located at [www.ti.com](http://www.ti.com), for more details on the PowerPAD package.

**APPLICATIONS INFORMATION**

**INTERFACING THE ADS1605 TO THE TMS320C6000**

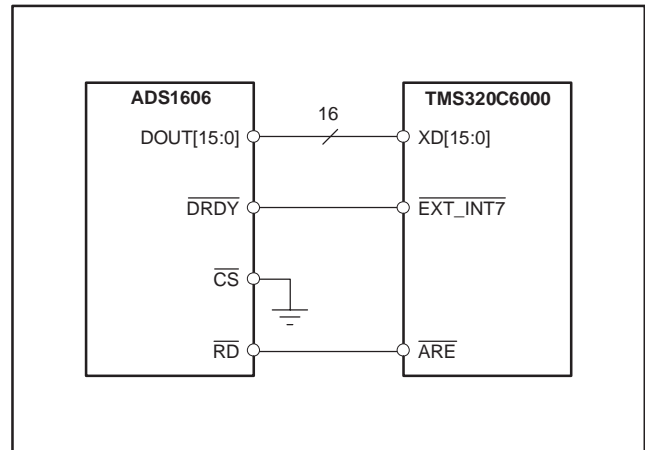
Figure 28 illustrates how to directly connect the ADS1605 to the TMS320C6000 DSP. The processor controls reading using output  $\overline{ARE}$ . The ADS1605 is selected using the DSP control output,  $\overline{CE2}$ . The ADS1605 16-bit data output bus is directly connected to the TMS320C6000 data bus. The data ready output from the ADS1605,  $\overline{DRDY}$ , drives interrupt  $\overline{EXT\_INT7}$  on the TMS320C6000.



**Figure 28. ADS1605—TMS320C6000 Interface Connection**

**INTERFACING THE ADS1606 TO THE TMS320C6000**

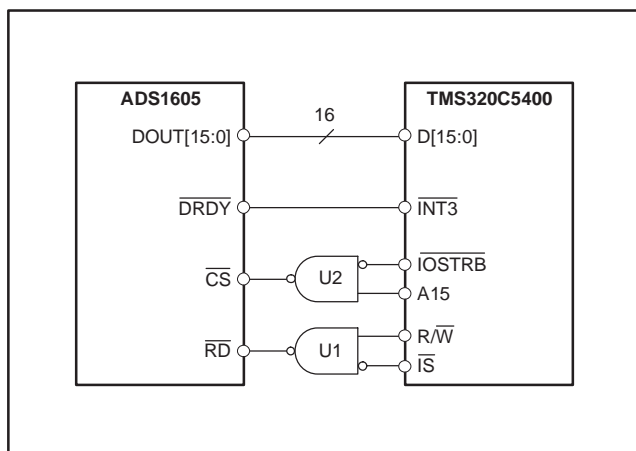
Figure 29 illustrates how to directly connect the ADS1606 to the TMS320C6000 DSP. The processor controls reading using output  $\overline{ARE}$ . The ADS1606 is permanently selected by grounding the  $\overline{CS}$  pin. The ADS1606 16-bit data output bus is directly connected to the TMS320C6000 data bus. The data ready output from the ADS1606,  $\overline{DRDY}$ , drives interrupt  $\overline{EXT\_INT7}$  on the TMS320C6000.



**Figure 29. ADS1606—TMS320C6000 Interface Connection**

### INTERFACING THE ADS1605 TO THE TMS320C5400

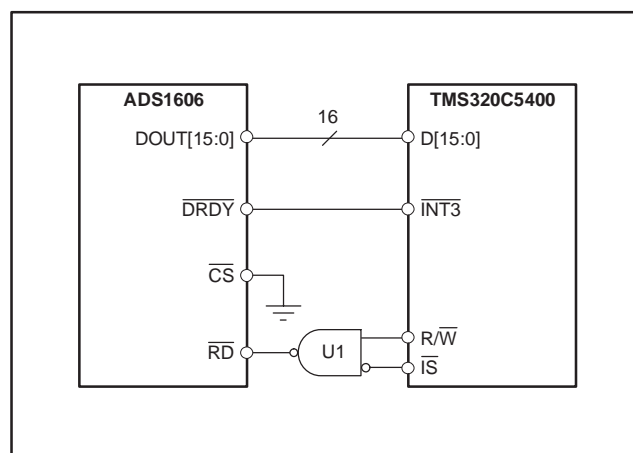
Figure 30 illustrates how to connect the ADS1605 to the TMS320C5400 DSP. The processor controls the reading using the outputs  $R/\overline{W}$  and  $\overline{IS}$ . The I/O space select signal ( $\overline{IS}$ ) is optional and is used to prevent the ADS1605  $\overline{RD}$  input from being strobed when the DSP is accessing other external memory spaces (address or data). This can help reduce the possibility of digital noise coupling into the ADS1605. When not using this signal, replace NAND gate U1 with an inverter between  $R/\overline{W}$  and  $\overline{RD}$ . Two signals,  $\overline{IOSTRB}$  and A15, combine using NAND gate U2 to select the ADS1605. If there are no additional devices connected to the TMS320C5400 I/O space, U2 can be eliminated. Simply connect  $\overline{IOSTRB}$  directly to  $\overline{CS}$ . The ADS1605 16-bit data output bus is directly connected to the TMS320C5400 data bus. The data ready output from the ADS1605,  $\overline{DRDY}$ , drives interrupt  $\overline{INT3}$  on the TMS320C5400.



**Figure 30. ADS1605—TMS320C5400 Interface Connection**

### INTERFACING THE ADS1606 TO THE TMS320C5400

Figure 31 illustrates how to directly connect the ADS1606 to the TMS320C5400 DSP. The processor controls reading using outputs  $R/\overline{W}$  and  $\overline{IS}$ . The ADS1606 is permanently selected by grounding the  $\overline{CS}$  pin. If there are any additional devices connected to the TMS320C5400 I/O space, address decode logic will be required between the ADC and the DSP to prevent data bus contention and ensure only one device at a time is selected. The ADS1606 16-bit data output bus is directly connected to the TMS320C5400 data bus. The data ready output from the ADS1606,  $\overline{DRDY}$ , drives interrupt  $\overline{INT3}$  on the TMS320C5400.



**Figure 31. ADS1606—TMS320C5400 Interface Connection**

Code Composer Studio, available from TI, provides support for interfacing TI DSPs through a collection of data converter plugins. Check the TI website, located at [www.ti.com/sc/dcplug-in](http://www.ti.com/sc/dcplug-in), for the latest information on ADS1605/6 support.

**PACKAGING INFORMATION**

Orderable Device	Status <sup>(1)</sup>	Package Type	Package Drawing	Pins	Package Qty	Eco Plan <sup>(2)</sup>	Lead/Ball Finish	MSL Peak Temp <sup>(3)</sup>
ADS1605IPAPR	ACTIVE	HTQFP	PAP	64	1000	None	CU NIPDAU	Level-3-235C-168 HR
ADS1605IPAPT	ACTIVE	HTQFP	PAP	64	250	None	CU NIPDAU	Level-3-235C-168 HR
ADS1606IPAPR	ACTIVE	HTQFP	PAP	64	1000	None	CU NIPDAU	Level-3-235C-168 HR
ADS1606IPAPT	ACTIVE	HTQFP	PAP	64	250	None	CU NIPDAU	Level-3-235C-168 HR

<sup>(1)</sup> The marketing status values are defined as follows:

**ACTIVE:** Product device recommended for new designs.

**LIFEBUY:** TI has announced that the device will be discontinued, and a lifetime-buy period is in effect.

**NRND:** Not recommended for new designs. Device is in production to support existing customers, but TI does not recommend using this part in a new design.

**PREVIEW:** Device has been announced but is not in production. Samples may or may not be available.

**OBSOLETE:** TI has discontinued the production of the device.

<sup>(2)</sup> Eco Plan - May not be currently available - please check <http://www.ti.com/productcontent> for the latest availability information and additional product content details.

**None:** Not yet available Lead (Pb-Free).

**Pb-Free (RoHS):** TI's terms "Lead-Free" or "Pb-Free" mean semiconductor products that are compatible with the current RoHS requirements for all 6 substances, including the requirement that lead not exceed 0.1% by weight in homogeneous materials. Where designed to be soldered at high temperatures, TI Pb-Free products are suitable for use in specified lead-free processes.

**Green (RoHS & no Sb/Br):** TI defines "Green" to mean "Pb-Free" and in addition, uses package materials that do not contain halogens, including bromine (Br) or antimony (Sb) above 0.1% of total product weight.

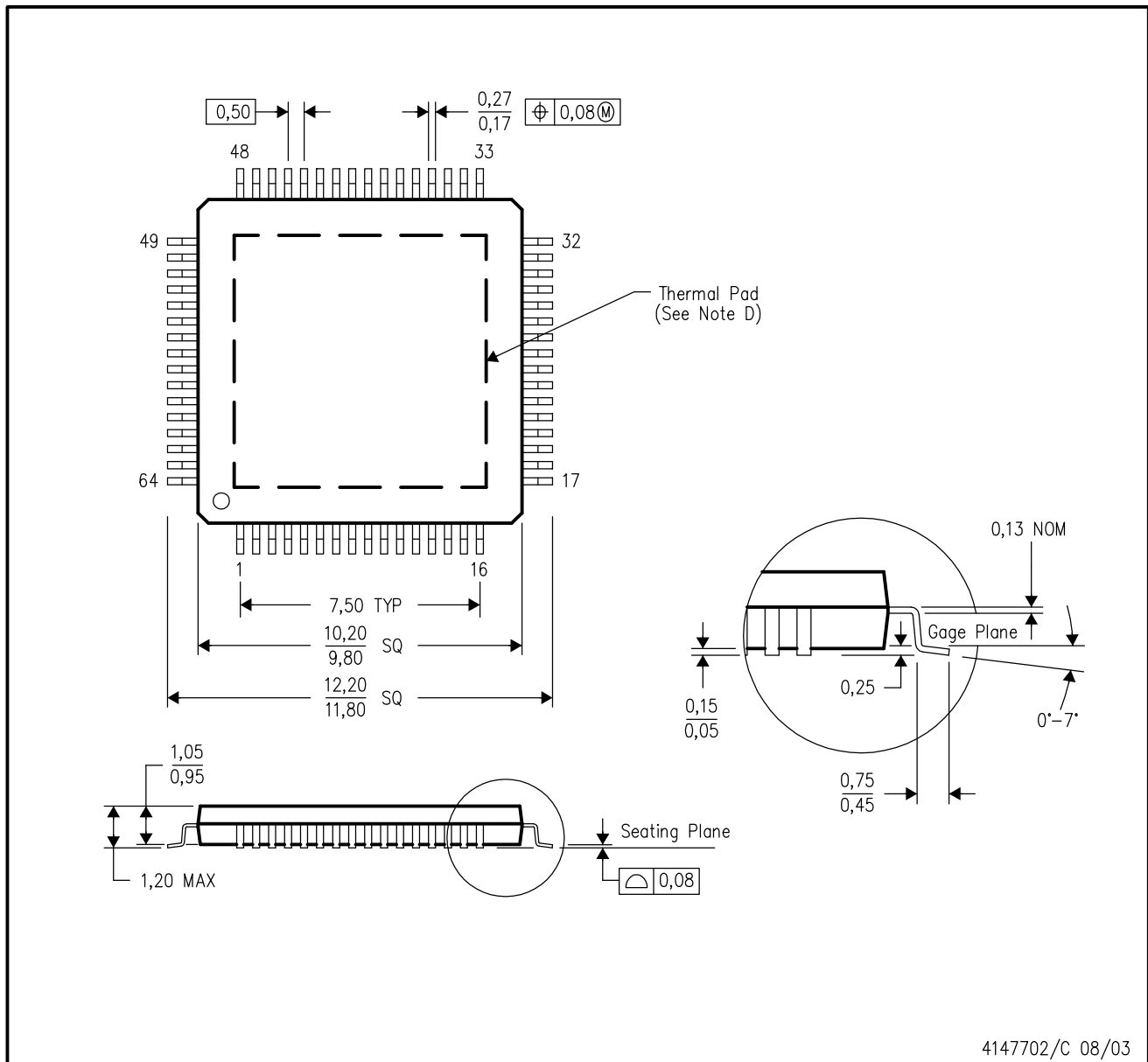
<sup>(3)</sup> MSL, Peak Temp. -- The Moisture Sensitivity Level rating according to the JEDEC industry standard classifications, and peak solder temperature.

**Important Information and Disclaimer:**The information provided on this page represents TI's knowledge and belief as of the date that it is provided. TI bases its knowledge and belief on information provided by third parties, and makes no representation or warranty as to the accuracy of such information. Efforts are underway to better integrate information from third parties. TI has taken and continues to take reasonable steps to provide representative and accurate information but may not have conducted destructive testing or chemical analysis on incoming materials and chemicals. TI and TI suppliers consider certain information to be proprietary, and thus CAS numbers and other limited information may not be available for release.

In no event shall TI's liability arising out of such information exceed the total purchase price of the TI part(s) at issue in this document sold by TI to Customer on an annual basis.

PAP (S-PQFP-G64)

PowerPAD™ PLASTIC QUAD FLATPACK



- NOTES:
- A. All linear dimensions are in millimeters.
  - B. This drawing is subject to change without notice.
  - C. Body dimensions do not include mold flash or protrusion
  - D. This package is designed to be soldered to a thermal pad on the board. Refer to Technical Brief, PowerPad Thermally Enhanced Package, Texas Instruments Literature No. SLMA002 for information regarding recommended board layout. This document is available at [www.ti.com](http://www.ti.com) <<http://www.ti.com>>.
  - E. Falls within JEDEC MS-026

PowerPAD is a trademark of Texas Instruments.

## IMPORTANT NOTICE

Texas Instruments Incorporated and its subsidiaries (TI) reserve the right to make corrections, modifications, enhancements, improvements, and other changes to its products and services at any time and to discontinue any product or service without notice. Customers should obtain the latest relevant information before placing orders and should verify that such information is current and complete. All products are sold subject to TI's terms and conditions of sale supplied at the time of order acknowledgment.

TI warrants performance of its hardware products to the specifications applicable at the time of sale in accordance with TI's standard warranty. Testing and other quality control techniques are used to the extent TI deems necessary to support this warranty. Except where mandated by government requirements, testing of all parameters of each product is not necessarily performed.

TI assumes no liability for applications assistance or customer product design. Customers are responsible for their products and applications using TI components. To minimize the risks associated with customer products and applications, customers should provide adequate design and operating safeguards.

TI does not warrant or represent that any license, either express or implied, is granted under any TI patent right, copyright, mask work right, or other TI intellectual property right relating to any combination, machine, or process in which TI products or services are used. Information published by TI regarding third-party products or services does not constitute a license from TI to use such products or services or a warranty or endorsement thereof. Use of such information may require a license from a third party under the patents or other intellectual property of the third party, or a license from TI under the patents or other intellectual property of TI.

Reproduction of information in TI data books or data sheets is permissible only if reproduction is without alteration and is accompanied by all associated warranties, conditions, limitations, and notices. Reproduction of this information with alteration is an unfair and deceptive business practice. TI is not responsible or liable for such altered documentation.

Resale of TI products or services with statements different from or beyond the parameters stated by TI for that product or service voids all express and any implied warranties for the associated TI product or service and is an unfair and deceptive business practice. TI is not responsible or liable for any such statements.

Following are URLs where you can obtain information on other Texas Instruments products and application solutions:

<b>Products</b>		<b>Applications</b>	
Amplifiers	<a href="http://amplifier.ti.com">amplifier.ti.com</a>	Audio	<a href="http://www.ti.com/audio">www.ti.com/audio</a>
Data Converters	<a href="http://dataconverter.ti.com">dataconverter.ti.com</a>	Automotive	<a href="http://www.ti.com/automotive">www.ti.com/automotive</a>
DSP	<a href="http://dsp.ti.com">dsp.ti.com</a>	Broadband	<a href="http://www.ti.com/broadband">www.ti.com/broadband</a>
Interface	<a href="http://interface.ti.com">interface.ti.com</a>	Digital Control	<a href="http://www.ti.com/digitalcontrol">www.ti.com/digitalcontrol</a>
Logic	<a href="http://logic.ti.com">logic.ti.com</a>	Military	<a href="http://www.ti.com/military">www.ti.com/military</a>
Power Mgmt	<a href="http://power.ti.com">power.ti.com</a>	Optical Networking	<a href="http://www.ti.com/opticalnetwork">www.ti.com/opticalnetwork</a>
Microcontrollers	<a href="http://microcontroller.ti.com">microcontroller.ti.com</a>	Security	<a href="http://www.ti.com/security">www.ti.com/security</a>
		Telephony	<a href="http://www.ti.com/telephony">www.ti.com/telephony</a>
		Video & Imaging	<a href="http://www.ti.com/video">www.ti.com/video</a>
		Wireless	<a href="http://www.ti.com/wireless">www.ti.com/wireless</a>

Mailing Address: Texas Instruments  
Post Office Box 655303 Dallas, Texas 75265