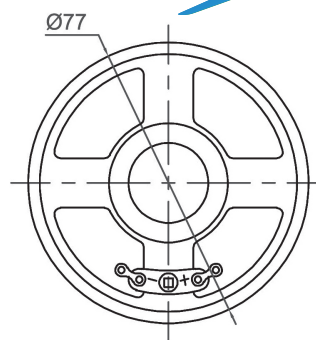
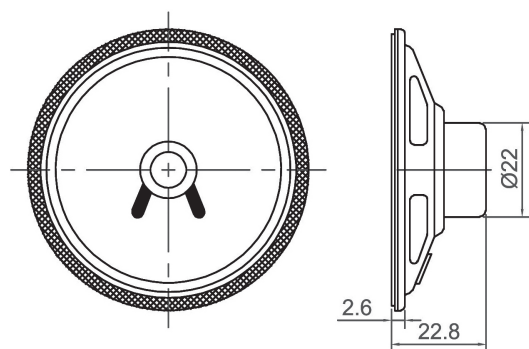


Loud Speaker & Notebook Speaker

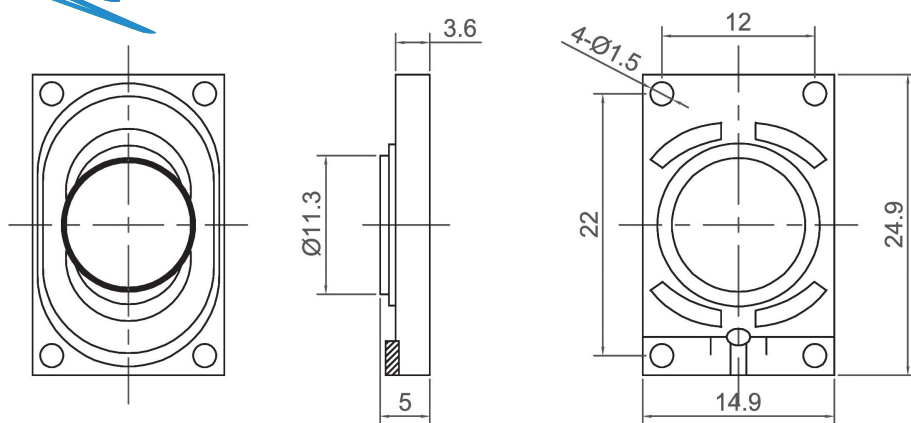


Loud Speaker

Series	Canopus Part no.	Diameter /Length (mm)	Width (mm)	Height (mm)	Sound Output (dB)	AC Impedance (Ω)	Rated Power (W)	Max. Power (W)	Resonance Frequency (f_0) (Hz)	Respose Frequency $f_0 \sim$ (Hz)	Housing	Terminal	Weight (g)
CLS2811	CLS2811A045BEQ	28	28	10.8	90 \pm 3	8 \pm 10%	2	3	450	20K	ABS	Plate	17.3
CLS3419	CLS3419A024BEQ	34	34	19.5	83 \pm 3	8 \pm 10%	2	3	240	20K	ABS	Plate	18.4
CLS4006	CLS4006A070AZ	ϕ 40	-	6.55	92 \pm 3	8 \pm 15%	0.5	0.8	700	4.8K	Metal	Solder Pad	9.1
CLS4510	CLS4510A040AE	ϕ 45.2	-	9.7	91 \pm 3	8 \pm 15%	0.5	1	400	8K	Metal	Plate	11
CLS5012	CLS5012A045AE	ϕ 50	-	12.2	85 \pm 3	8 \pm 15%	1	1.5	450	5K	Metal	Plate	14.8
CLS5719	CLS5719A040AE	ϕ 57	-	19.5	85 \pm 3	8 \pm 15%	0.2	0.4	400	5K	Metal	Plate	29.3
CLS6612	CLS6612A038AE	ϕ 66	-	12.5	95 \pm 3	8 \pm 15%	0.5	0.8	380	4K	Metal	Plate	17.2
CLS7723	CLS7723A028AE	ϕ 77	-	22.8	85 \pm 3	8 \pm 15%	1	1.5	280	12K	Metal	Plate	35.45



Notebook Speaker



Series	Canopus Part no.	Length (mm)	Width (mm)	Height (mm)	Sound Output (dB)	AC Impedance (Ω)	Rated Power (W)	Max. Power (W)	Resonance Frequency (f_0) (Hz)	Respose Frequency $f_0 \sim$ (Hz)	Housing	Terminal	Weight (g)
CNS2505	CNS2505A090BZR	24.9	14.9	5	82 \pm 3	8 \pm 10%	0.5	1	900	20K	ABS	Solder Pad	2
CNS3505	CNS3505E060BZR	35	16	5.5	76 \pm 3	4 \pm 10%	0.1	1	600	20K	ABS	Solder Pad	2.2
CNS4006	CNS4006A045AZR	40	20	5.8	89 \pm 3	8 \pm 15%	1	2	450	20K	Metal	Solder Pad	7.6
CNS7132	CNS7132B030AER	71	40.2	32	90 \pm 3	16 \pm 15%	2	3	300	20K	Metal	Plate	20
CNS9040	CNS9040A024AER	90	50	40.5	86 \pm 3	8 \pm 15%	5	8	240	18K	Metal	Plate	105

Your Efficient Supplier
www.canopus.com.hk

TEL.: (852) 2806 2812

Fax: (852) 2652 2216