

DS26S10C/DS26S10M/DS26S11C/DS26S11M Quad Bus Transceivers

General Description

The DS26S10 and DS26S11 are quad Bus Transceivers consisting of 4 high speed bus drivers with open-collector outputs capable of sinking 100 mA at 0.8V and 4 high speed bus receivers. Each driver output is connected internally to the high speed bus receiver in addition to being connected to the package pin. The receiver has a Schottky TTL output capable of driving 10 Schottky TTL unit loads.

An active low enable gate controls the 4 drivers so that outputs of different device drivers can be connected together for party-line operation.

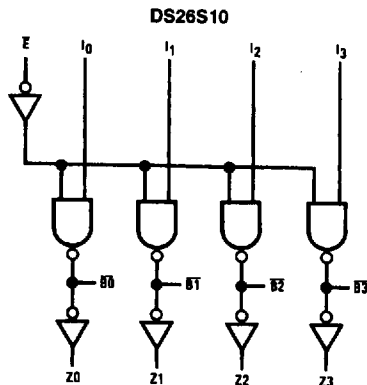
The bus output high-drive capability in the low state allows party-line operation with a line impedance as low as 100Ω. The line can be terminated at both ends, and still give considerable noise margin at the receiver. The receiver typical switching point is 2V.

The DS26S10 and DS26S11 feature advanced Schottky processing to minimize propagation delay. The device package also has 2 ground pins to improve ground current handling and allow close decoupling between V_{CC} and ground at the package. Both GND 1 and GND 2 should be tied to the ground bus external to the device package.

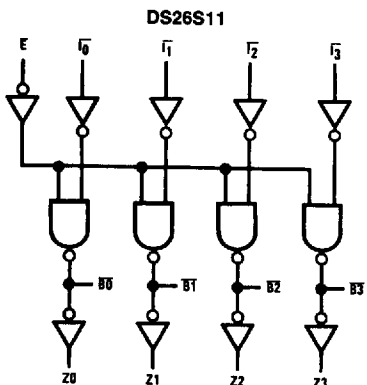
Features

- Input to bus is inverting on DS26S10
- Input to bus is non-inverting on DS26S11
- Quad high speed open-collector bus transceivers
- Driver outputs can sink 100 mA at 0.8V maximum
- Advanced Schottky processing
- PNP inputs to reduce input loading

Logic Diagrams



TL/F/5802-1



TL/F/5802-2

Absolute Maximum Ratings

If Military/Aerospace specified devices are required, please contact the National Semiconductor Sales Office/Distributors for availability and specifications.

Storage Temperature	-65°C to +150°C
Temperature (Ambient) Under Bias	-55°C to +125°C
Supply Voltage to Ground Potential	-0.5V to +7V
DC Voltage Applied to Outputs for High Output State	-0.5V to +V _{CC} Max
DC Input Voltage	-0.5V to +5.5V
Output Current, Into Bus	200 mA
Output Current, Into Outputs (Except Bus)	30 mA
DC Input Current	-30 mA to +5 mA

Maximum Power Dissipation* at 25°C

Cavity Package	1433 mW
Molded Package	1362 mW
PLCC Package	TBD mW

*Derate cavity package 9.6 mW/°C above 25°C; derate molded package 10.9 mW/°C above 25°C; derate PLCC package TBD mW/°C above 25°C.

Operating Conditions

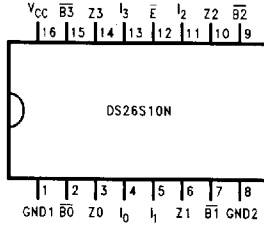
	Min	Max	Units
Supply Voltage (V _{CC})			
DS26S10C, DS26S11C	4.75	5.25	V
DS26S10M, DS26S11M	4.5	5.5	V
Temperature (T _A)			
DS26S10C, DS26S11C	0	+70	°C
DS26S10M, DS26S11M	-55	+125	°C

Electrical Characteristics (Unless otherwise noted)

Symbol	Parameter	Conditions (Note 1)	Min	Typ (Note 2)	Max	Units
V _{OH}	Output High Voltage (Receiver Outputs)	V _{CC} = Min, I _{OH} = -1 mA, V _{IN} = V _{IL} or V _{IH}	Military	2.5	3.4	V
			Commercial	2.7	3.4	V
V _{OL}	Output Low Voltage (Receiver Outputs)	V _{CC} = Min, I _{OL} = 20 mA, V _{IN} = V _{IL} or V _{IH}			0.5	V
V _{IH}	Input High Level (Except Bus)	Guaranteed Input Logical High for All Inputs	2.0			V
V _{IL}	Input Low Level (Except Bus)	Guaranteed Input Logical Low for All Inputs			0.8	V
V _I	Input Clamp Voltage (Except Bus)	V _{CC} = Min, I _{IN} = -18 mA			-1.2	V
I _{IL}	Input Low Current (Except Bus)	V _{CC} = Max, V _{IN} = 0.4V	Enable		-0.36	mA
			Data		-0.54	mA
I _{IH}	Input High Current (Except Bus)	V _{CC} = Max, V _{IN} = 2.7V	Enable		20	μA
			Data		30	μA
I _I	Input High Current (Except Bus)	V _{CC} = Max, V _{IN} = 5.5V			100	μA
I _{SC}	Output Short-Circuit Current (Except Bus)	V _{CC} = Max, (Note 3)	Military	-20	-55	mA
			Commercial	-18	-60	mA
I _{CC1}	Power Supply Current (All Bus Outputs Low)	V _{CC} = Max, Enable = GND	DS26S10	45	70	mA
			DS26S11		80	mA

Connection Diagrams

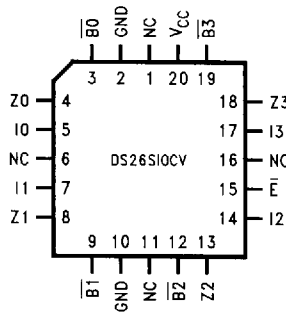
Dual-In-Line Package



TL/F/5802-3

Top View

Order Number **DS26S10CJ, DS26S10MJ**
or **DS26S10CN**
See NS Package Number **J16A** or **N16A**
Plastic Chip Carrier

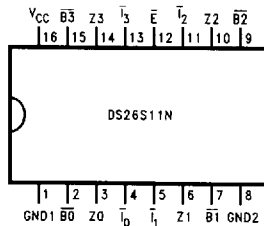


TL/F/5802-12

Top View

Order Number **DS26S10CV**
See NS Package Number **V20A**

Dual-In-Line Package



TL/F/5802-4

Top View

Order Number **DS26S11CJ, DS26S11MJ**
or **DS26S11CN**
See NS Package Number **J16A** or **N16A**

Bus Input/Output Characteristics

Symbol	Parameter	Conditions (Note 1)		Min	Typ (Note 2)	Max	Units	
V _{OL}	Output Low Voltage	V _{CC} = Min	Military	I _{OL} = 40 mA		0.33	0.5	V
				I _{OL} = 70 mA		0.42	0.7	
				I _{OL} = 100 mA		0.51	0.8	
			Commercial	I _{OL} = 40 mA		0.33	0.5	
				I _{OL} = 70 mA		0.42	0.7	
				I _{OL} = 100 mA		0.51	0.8	
I _O	Bus Leakage Current	V _{CC} = Max		V _O = 0.8V			-50	μA
			Military	V _O = 4.5V			200	
			Commercial	V _O = 4.5V			100	
I _{OFF}	Bus Leakage Current (Power OFF)	V _O = 4.5V				100	μA	
V _{TH}	Receiver Input High Threshold	Bus Enable = 2.4V, V _{CC} = Max	Military	2.4	2.0		V	
			Commercial	2.25	2.0			
V _{TL}	Receiver Input Low Threshold	Bus Enable = 2.4V, V _{CC} = Min	Military		2.0	1.6	V	
			Commercial		2.0	1.75		

Note 1: For conditions shown as min or max, use the appropriate value specified under Electrical Characteristics for the applicable device type.

Note 2: Typical limits are at V_{CC} = 5V, 25°C ambient and maximum loading.

Note 3: Not more than one output should be shorted at a time. Duration of the short circuit test should not exceed one second.

Switching Characteristics (T_A = 25°C, V_{CC} = 5V)

Symbol	Parameter	Conditions		Min	Typ	Max	Units
t _{PLH}	Data Input to Bus	R _B = 50Ω, C _B = 50 pF (Note 1)	DS26S10		10	15	ns
t _{PHL}	Data Input to Bus				10	15	ns
t _{PLH}	Data Input to Bus		DS26S11		12	19	ns
t _{PHL}	Data Input to Bus				12	19	ns
t _{PLH}	Enable Input to Bus		DS26S10		14	18	ns
t _{PHL}	Enable Input to Bus				13	18	ns
t _{PLH}	Enable Input to Bus		DS26S11		15	20	ns
t _{PHL}	Enable Input to Bus				14	20	ns
t _{PLH}	Bus to Receiver Out	R _B = 50Ω, R _L = 280Ω, C _B = 50 pF (Note 1), C _L = 15 pF			10	15	ns
t _{PHL}	Bus to Receiver Out				10	15	ns
t _r	Bus	R _B = 50Ω, C _B = 50 pF (Note 1)		4.0	10		ns
t _f	Bus				2.0	4.0	

Note 1: Includes probe and jig capacitance.

Truth Tables

DS26S10

Inputs		Outputs	
\bar{E}	I	\bar{B}	Z
L	L	H	L
L	H	L	H
H	X	Y	\bar{Y}

DS26S11

Inputs		Outputs	
\bar{E}	I	\bar{B}	Z
L	L	L	H
L	H	H	L
H	X	Y	\bar{Y}

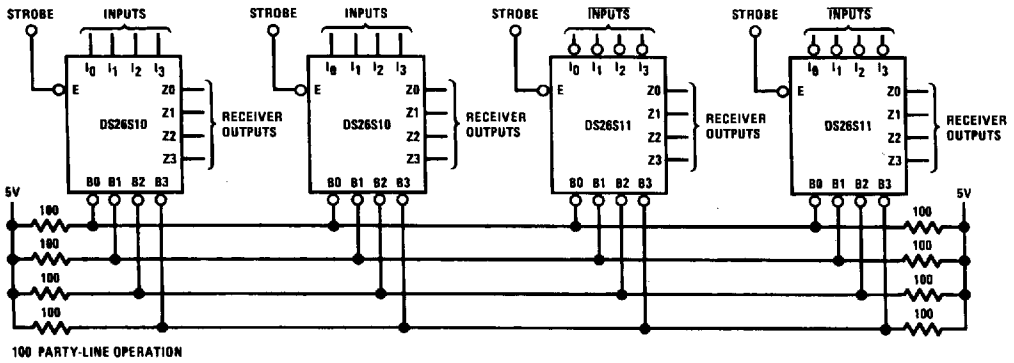
H = High voltage level

L = Low voltage level

X = Don't care

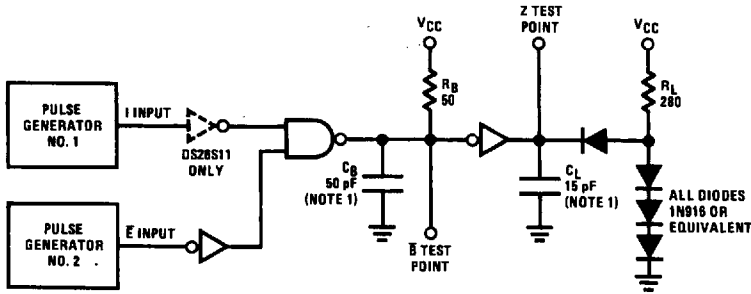
Y = Voltage level of bus (assumes control by another bus transceiver)

Typical Application



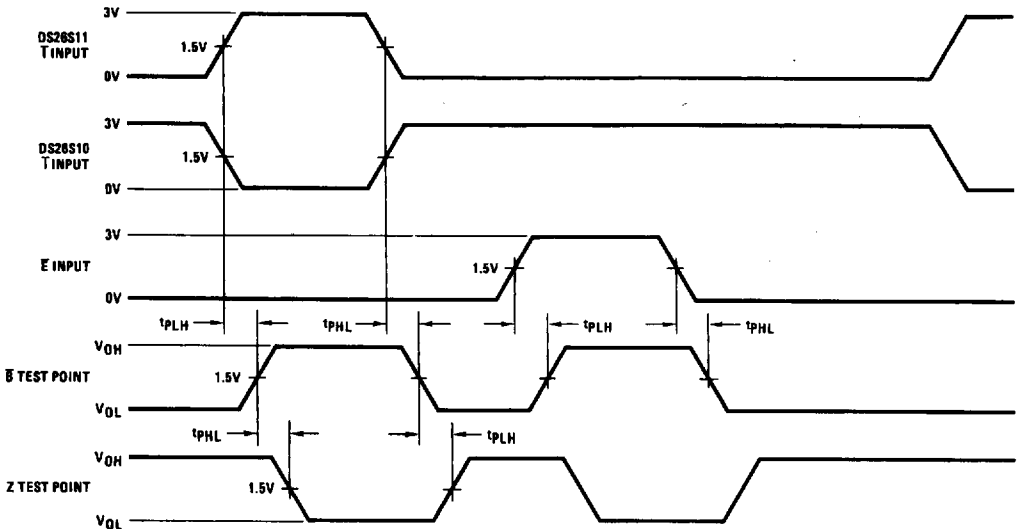
TL/F/5802-5

AC Test Circuit and Switching Time Waveforms



Note 1: Includes probe and jig capacitance.

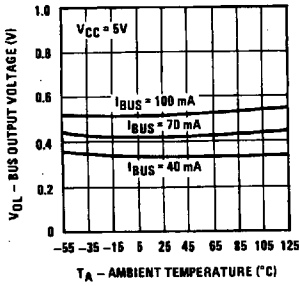
TL/F/5802-6



TL/F/5802-7

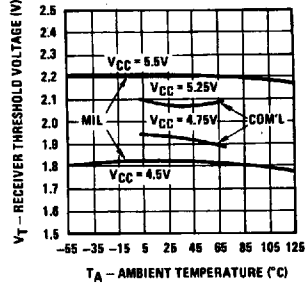
Typical Performance Characteristics

Typical Bus Output Low Voltage vs Ambient Temperature



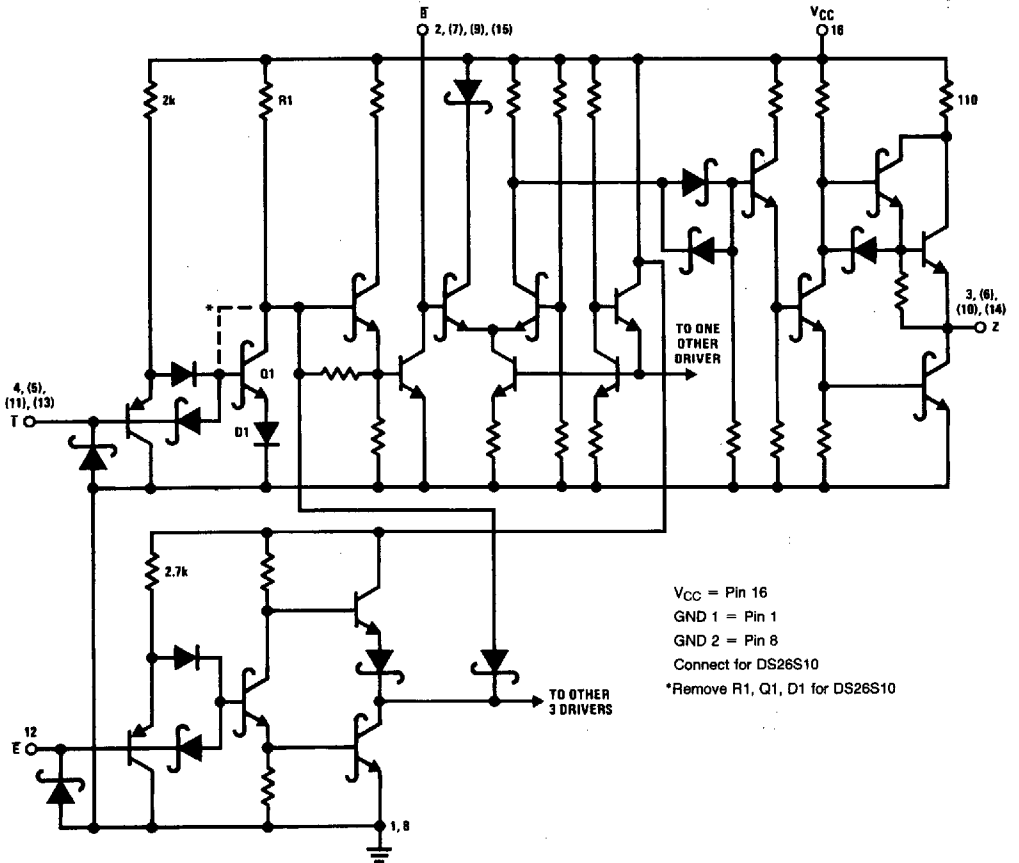
TL/F/5802-8

Receiver Threshold Variation vs Ambient Temperature



TL/F/5802-9

Schematic Diagram



TL/F/5802-10