

LS6D28 Series Surface Mount Power Inductors



Features

- Will Handle Up To 3A
- Economical Design
- Suitable For Pick And Place
- Withstands Solder Reflow
- Shielded Design

Applications

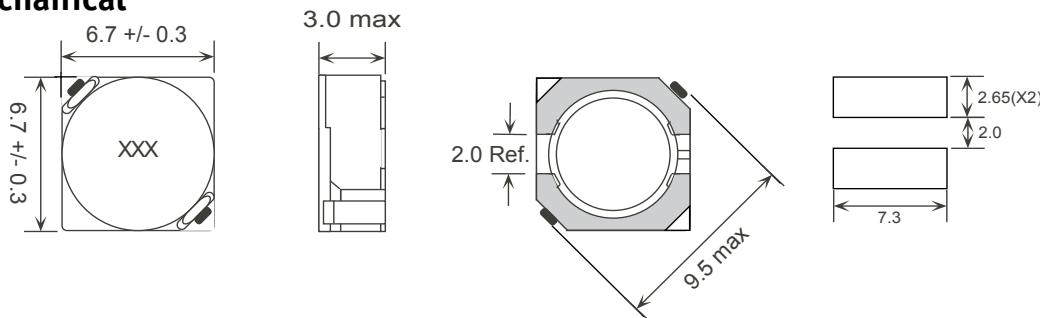
- DC/DC Converters
- Output Power Chokes
- Handheld And PDA Applications
- Battery Powered Or Low Voltage Applications

Packaging

- Reel Diameter: 330mm
- Reel Width: 16.3mm
- Pieces Per Reel: 1000



Mechanical



unit= mm

Electrical Specifications

Part ⁶ Number	Inductance ¹ ($\mu\text{H} \pm 30\%$)	Test Frequency (kHz)	DCR max (Ω)	$I_{\text{DC}} \text{ max}^2$ (A)
LS6D28-3R0-RN	3.0	10	0.024	3.00
LS6D28-3R9-RN	3.9	10	0.027	2.60
LS6D28-5R0-RN	5.0	10	0.031	2.40
LS6D28-6R0-RN	6.0	10	0.035	2.25
LS6D28-7R3-RN	7.3	10	0.054	2.10
LS6D28-8R6-RN	8.6	10	0.058	1.85
LS6D28-100-RN	10	10	0.065	1.70
LS6D28-120-RN	12	10	0.070	1.55
LS6D28-150-RN	15	10	0.084	1.40
LS6D28-180-RN	18	10	0.095	1.32
LS6D28-220-RN	22	10	0.128	1.20
LS6D28-270-RN	27	10	0.142	1.05
LS6D28-330-RN	33	10	0.165	.97
LS6D28-390-RN	39	10	0.210	.86
LS6D28-470-RN	47	10	0.238	.80
LS6D28-560-RN	56	10	0.277	.73
LS6D28-680-RN	68	10	0.304	.65
LS6D28-820-RN	82	10	0.390	.60
LS6D28-101-RN	100	10	0.535	.54
LS6D28-121-RN	120	10	0.750	.51
LS6D28-151-RN	150	10	0.950	.47
LS6D28-181-RN	180	10	1.20	.41
LS6D28-221-RN	220	10	1.50	.37
LS6D28-271-RN	270	10	1.70	.33
LS6D28-331-RN	330	10	2.15	.28
LS6D28-391-RN	390	10	2.25	.27
LS6D28-471-RN	470	10	3.15	.21
LS6D28-561-RN	560	10	3.75	.20
LS6D25-681-RN	680	10	5.15	.20

1. Tested @ 10kHz, 0.1Vrms.
2. Inductance drop = 35% at rated $I_{\text{DC}} \text{ max}$.
3. Electrical specifications at 25°C.
4. Operating temperature range:
-40°C to +85°C.
5. Meets UL 94V-0.
6. Optional Tolerances: 10%(K), 15%(L),
and 20%(M).