

**PLEASE CHECK WWW.MOLEX.COM FOR LATEST PART INFORMATION**

**Part Number:** [0522712579](#)  
**Status:** **Active**  
**Overview:**  
**Description:** 1.00mm (.039") Pitch FFC/FPC Connector, Right Angle, SMT, ZIF, Bottom Contact Style, 25 Circuits, Lead-free, High Barrier Packaging

**Agency Certification**

CSA	LR19980
UL	E29179

**General**

Product Family	FFC/FPC Connectors
Series	52271
Overview	ffc_fpc_smt
Product Name	N/A

**Physical**

Circuits (Loaded)	25
Color - Resin	Natural
Contact Position	Bottom
Durability (mating cycles max)	30
Entry Angle	90° Angle
Flammability	94V-0
Mated Height (in)	0.118 In
Mated Height (mm)	3.00 mm
Material - Metal	Phosphor Bronze
Material - Plating Mating	Tin-Bismuth
Material - Plating Termination	Tin-Bismuth
Material - Resin	Nylon
Number of Rows	1
Orientation	Right Angle
PCB Locator	No
PCB Retention	Yes
Packaging Type	Embossed Tape on Reel
Pitch - Mating Interface (in)	0.039 In
Pitch - Mating Interface (mm)	1.00 mm
Polarized to PCB	Yes
Stackable	No
Temperature Range - Operating	-40°C to +85°C
Termination Interface: Style	Surface Mount
Wire/Cable Type	FFC/FPC

**Electrical**

Current - Maximum per Contact	0.5A
Voltage - Maximum	50V AC (RMS)/DC

**Material Info**

**Reference - Drawing Numbers**

Application Specification	AS-52271-001
Packaging Specification	SPK-52271-001, SPK-52271-002
Product Specification	PS-52271-053, RPS-52271-066, RPS-52271-067, RPS-52271-069, RPS-52271-070, RPS-52271-072, RPS-52271-073, RPS-52271-075, RPS-52271-080, RPS-52271-085, RPS-52271-087, RPS-52271-091
Sales Drawing	SD-52271-036, SD-52271-037

**EU RoHS**

**ELV and RoHS Compliant**  
**REACH SVHC Contains SVHC: No**  
**Halogen-Free Status**  
**Not Reviewed**

**China RoHS**



**Need more information on product environmental compliance?**

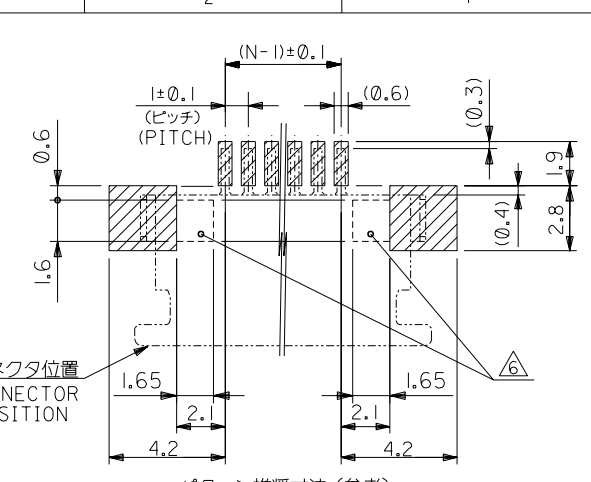
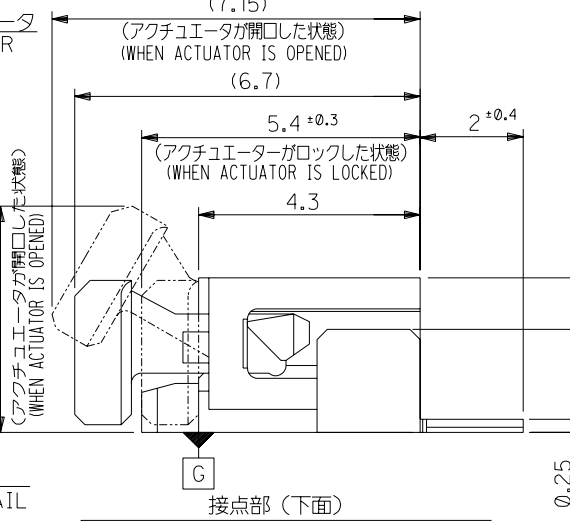
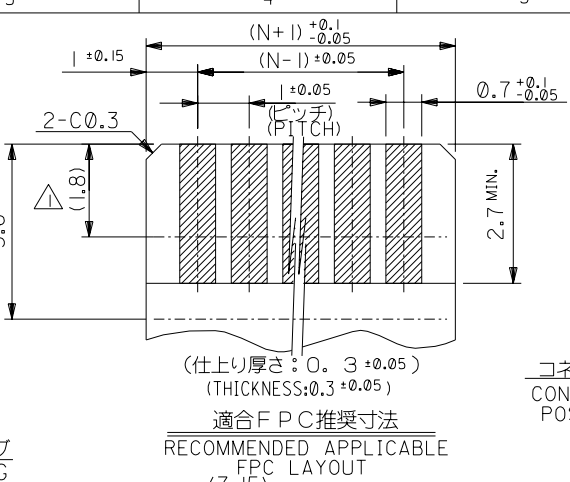
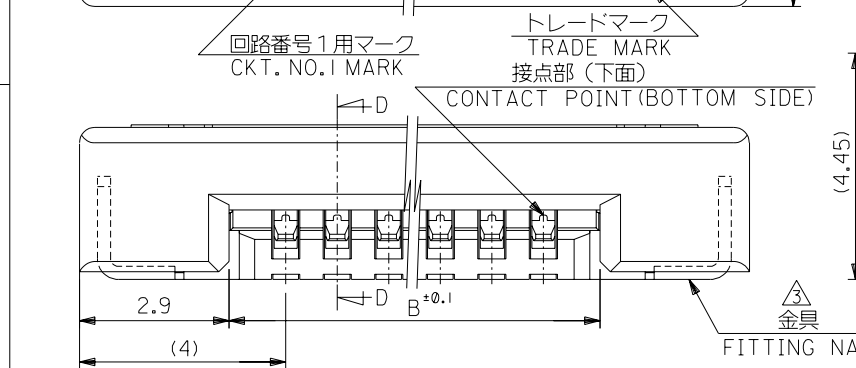
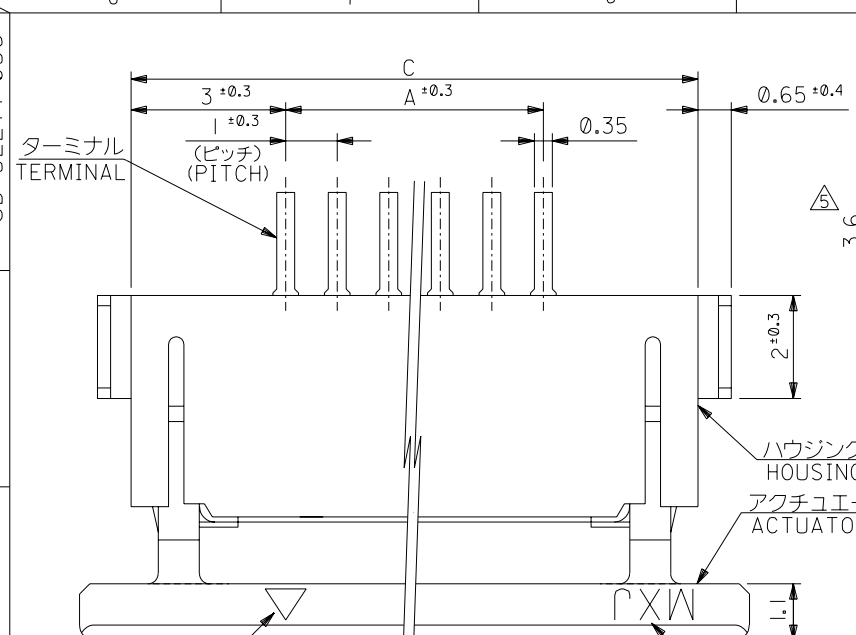
Email [productcompliance@molex.com](mailto:productcompliance@molex.com)  
 For a multiple part number RoHS Certificate of Compliance, [click here](#)

Please visit the [Contact Us](#) section for any non-product compliance questions.

**Search Parts in this Series**  
[52271Series](#)

This document was generated on 06/04/2010

**PLEASE CHECK [WWW.MOLEX.COM](http://WWW.MOLEX.COM) FOR LATEST PART INFORMATION**



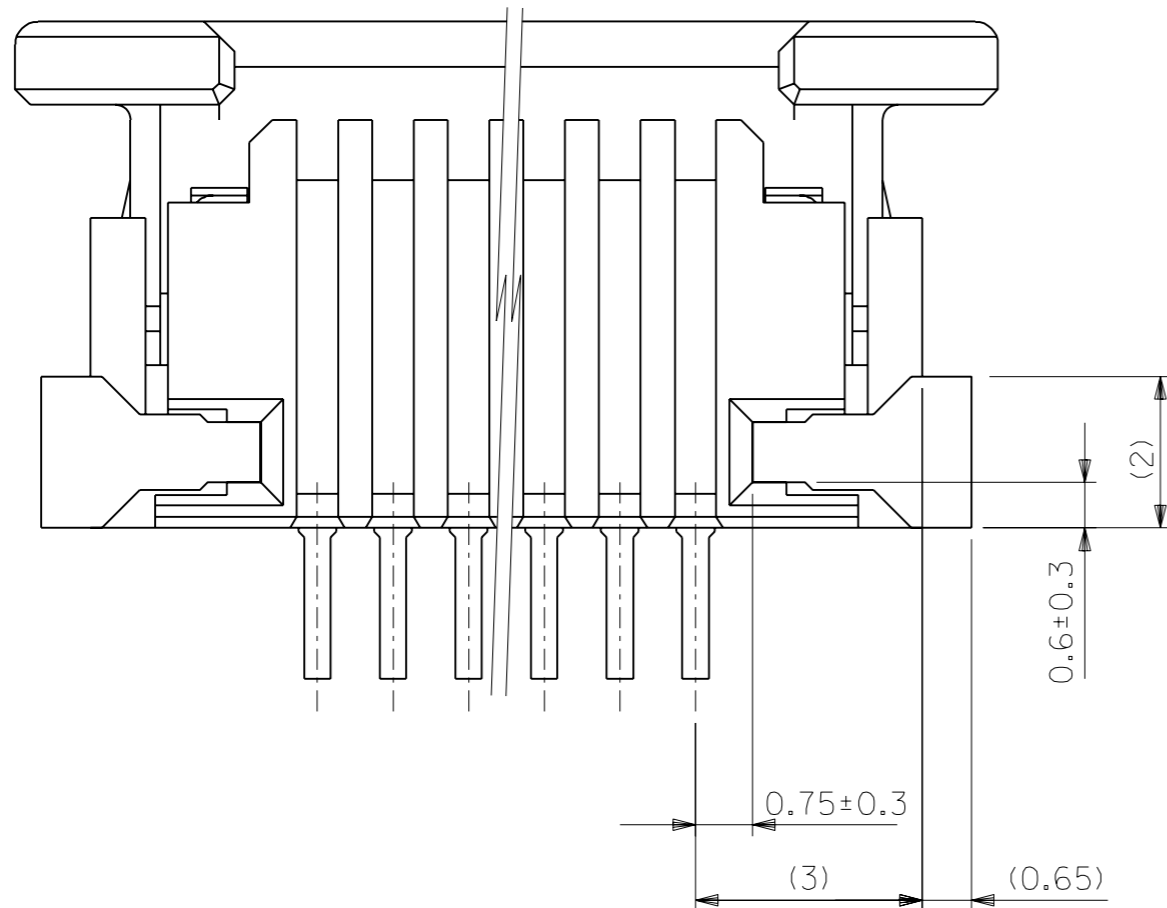
35	31.2	29	52271-3019	30
34	30.2	28	-2919	29
33	29.2	27	-2819	28
32	28.2	26	-2719	27
31	27.2	25	-2619	26
30	26.2	24	-2519	25
29	25.2	23	-2419	24
28	24.2	22	-2319	23
27	23.2	21	-2219	22
26	22.2	20	-2119	21
25	21.2	19	-2019	20
24	20.2	18	-1919	19
23	19.2	17	-1819	18
22	18.2	16	-1719	17
21	17.2	15	-1619	16
20	16.2	14	-1519	15
19	15.2	13	-1419	14
18	14.2	12	-1319	13
17	13.2	11	-1219	12
16	12.2	10	-1119	11
15	11.2	9	-1019	10
14	10.2	8	-0919	9
13	9.2	7	-0819	8
12	8.2	6	-0719	7
11	7.2	5	-0619	6
10	6.2	4	-0519	5
9	5.2	3	52271-0419	4

52271-**-19	C	B	A	52271-0419	極数 CKT.
MODEL NO.				MATERIAL NO.	

角度 ANGLE	$\pm 3^\circ$				
30以上 OVER	$+0.3$	B	変更 REVISIED	(2004-3551)	H.K. K.S. 04/04/02
10以上 OVER 30未満 UNDER	$+0.25$	A	変更 REVISIED	(2004-3371)	H.K. K.S. 04/03/29
10未満 UNDER	$+0.2$	①	新規作成 RELEASED	(2004-3059)	H.K. K.S. 04/03/12
一般公差 GENERAL TOLERANCES		記号 LTR	変更内容 REVISION RECORD	DR. CHK.	日付 DATE

材料 MATERIAL	注記参照 SEE NOTES
仕上げ FINISH	注記参照 SEE NOTES
適用電線範囲 WIRE RANGE	---
被覆外径 INS. RANGE	---
DRAWN BY '04/03/12 H.KAWABATA	CHK'D BY '04/03/12 K.TOJO
APP'D BY '04/03/12 M.SASAO	尺度 SCALE ---

molex MOLEX-JAPAN CO.,LTD. 日本モレックス株式会社	
REVISE ONLY ON CAD SYSTEM	
TITLE 名称 1.0 FPC CONN. Z.I.F. SMT (BOTTOM CONTACT)	
-LEAD FREE-	
DWG. NO. SD-52271-036	(SHEET 1 OF 2) REV B



下面図

注記 NOTES

- ① 接点部までの嵌合長さ。  
LENGTH TO CONTACT POINT.
- 2. 使用材料 MATERIAL  
ハウジング : 46ナイロン, UL94V-0  
HOUSING : 46NYLON, UL94V-0  
アクチュエータ : PPS, UL94V-0  
ACTUATOR : PPS, UL94V-0  
ターミナル : リン青銅 (t=0.25)  
TERMINAL : PHOS-BRO.(t=0.25)  
メッキ : 錫ビスマスメッキ 1.0マイクロメートル以上  
PLATING : TIN-BISMUTH 1.0 MICROMETER MINIMUM  
          : ニッケル下地 1.0マイクロメートル以上  
          PLATING : NICKEL(UNDER PLATING)1.0 MICROMETER MINIMUM  
金具 : 銅合金 (t=0.25)  
FITTING NAIL : COPPER ALLOY (t=0.25)  
メッキ : 錫メッキ 1.0マイクロメートル以上  
PLATING : TIN 1.0 MICROMETER MINIMUM  
          : ニッケル下地 1.0マイクロメートル以上  
          PLATING : NICKEL(UNDER PLATING) 1.0 MICROMETER MINIMUM
- ③ パターンはくり止め用金具  
FITTING NAIL FOR PREVENTION OF PEELING OF P.C.B.PATTERN.
- 4. エンボステープ梱包時は、アクチュエータがロックした状態とする。  
WHEN CONNECTOR IS SHIPED, ACTUATOR SHOULD BE LOCKED.
- ⑤ FPC挿入深さ。  
INSERTION DEPTH OF FPC
- ⑥ パターン書き込み禁止エリア。  
NO FOOT PRINT AREA.
- 7. 本製品は52271-\*\*-17の鉛フリー品である。  
THIS PRODUCT IS LEAD FREE OF 52271-\*\*-17.

FPCについて:

打抜き方向は導体側から補強板側を推奨致します。  
補強フィルム材質はポリイミドを推奨致します。  
接着剤は熱硬化接着剤を推奨致します。

ABOUT FPC:  
RECOMMENDED PUNCHER DIRECTION :FROM CONDUCTOR SIDE TO STIFFENER BOARD SIDE.  
RECOMMENDED MATERIAL :  
STIFFENER FILM :POLYIMIDE  
BONDING AGENT :THERMOSETTING BONDING AGENT

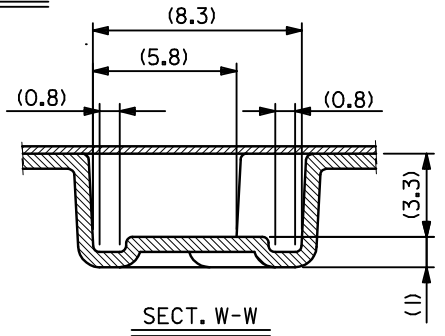
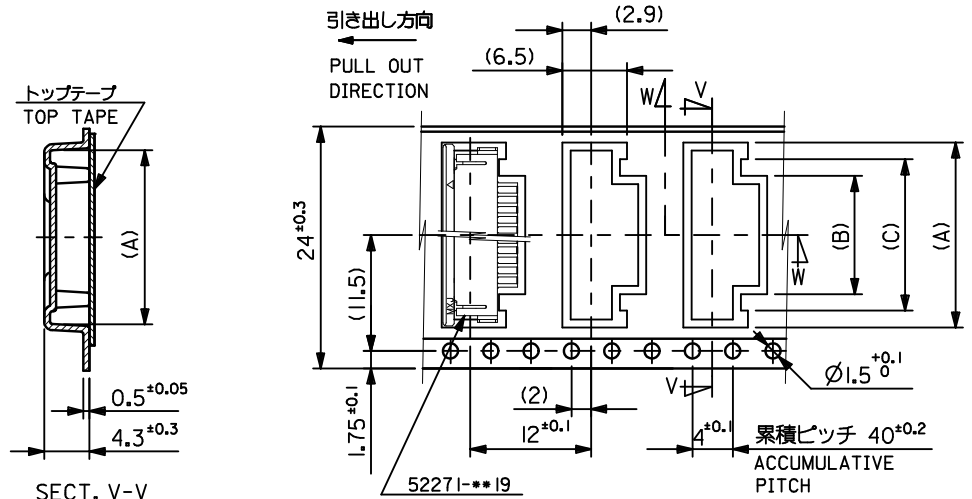
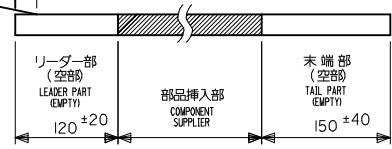
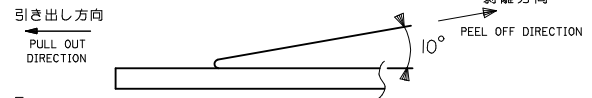
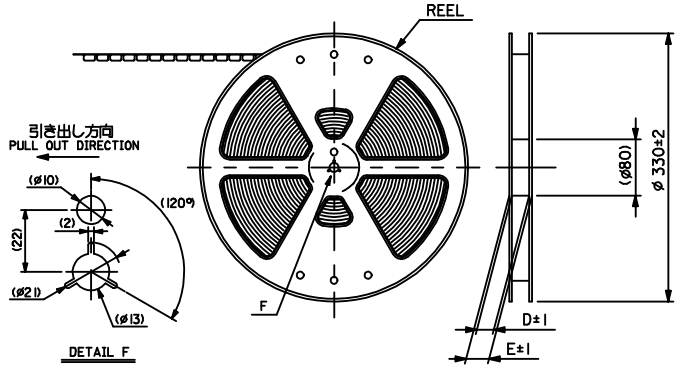
MODEL NO. 52271-\*\*-19

材料 MATERIAL		注記参照 SEE NOTES		MOLEX-JAPAN CO.,LTD. 日本モレックス株式会社	
仕上げ FINISH		注記参照 SEE NOTES		REVISE ONLY ON CAD SYSTEM	
適用電線範囲 WIRE RANGE		---		TITLE 名称 I.O FPC CONN. Z.I.F. SMT (BOTTON CONTACT) -LEAD FREE-	
被覆外径 INS. RANGE		---		DRAWN BY '04/03/12 H.KAWABATA CHK'D BY '04/03/12 K.TOJO	
角度 ANGLE		±3°		DWG. NO. (SHEET 2 OF 2) REV B	
30 以上 OVER		±0.3		SD-52271-036	
10 以上 30 未満 OVER UNDER		±0.25		SCALE ---	
10 未満 UNDER		±0.2			
一般公差 GENERAL TOLERANCES		記号 LTR 変更内容 REVISION RECORD		DR. 日付 DATE	
		B 変更 (J2004-355) H.K. K.T. 04/04/02		APP'D BY '04/03/12 M.SASAO	
		A 変更 (J2004-337) H.K. K.T. 04/03/25			
		O 新規作成 RELEASED (J2004-3059) H.K. K.T. 04/03/12			

NOTES

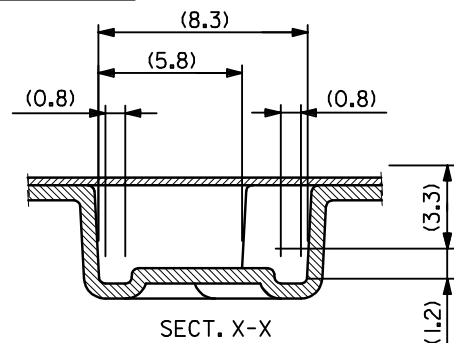
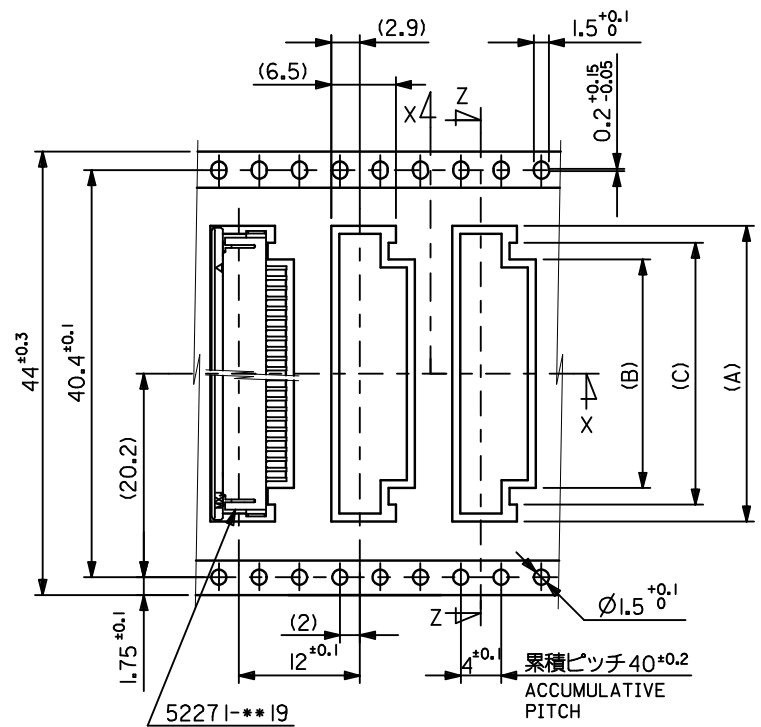
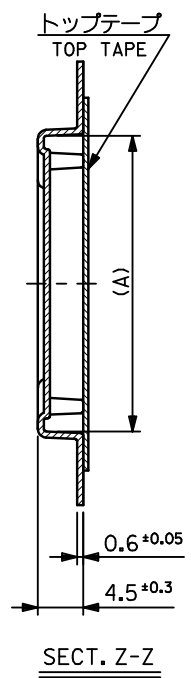
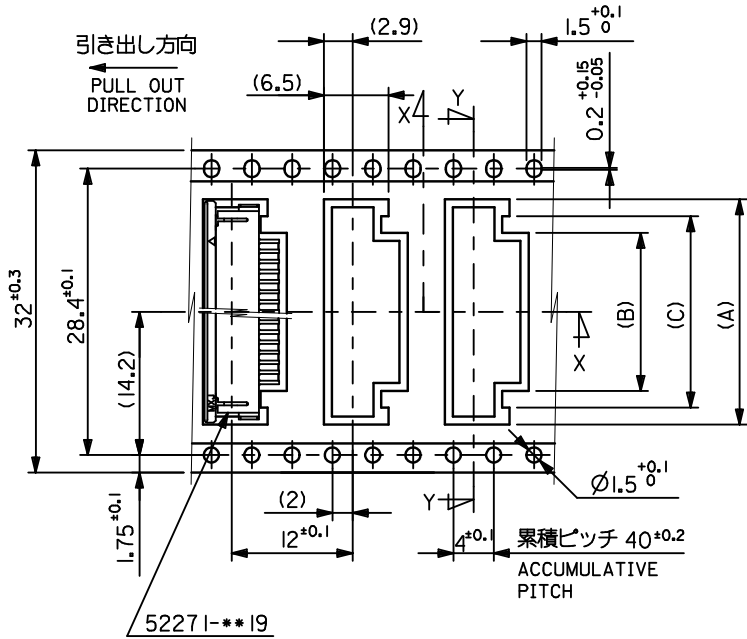
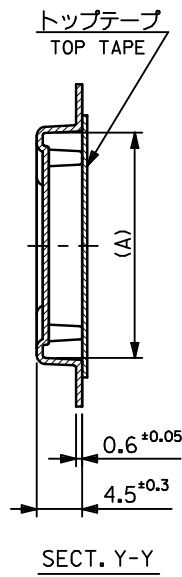
- 製品番号 52271-\*\*-19 の梱包状態はアクチュエータがロックした状態とする。  
IN THE PACKAGE, ACTUATOR OF PART NO. 52271-\*\*-19 SHOULD BE LOCKED RE DETAILED DIMENSIONS, SEE SD-52271-036.
- 梱包数量: 1000個/リール  
NUMBER OF CONNECTORS: 1000 PCS/REEL
- リードテープ長さ LEAD TAPE LENGTH  

トップテープ リーダー部 TOP TAPE LEADER PART	トップテープ 未接着部 TOP TAPE NON-BONDED PART
175 ±25	25 ±5
- トップテープの剥離強度: 0.1~1.3N (10~130gf) (剥離方向は下図参照)  
尚、本規格値は、出荷時に適用。(但し、輸送時に剥離が発生しない事。)  
PEELING OFF FORCE OF TOP TAPE: 0.1~1.3N (10~130gf)  
(PEELING DIRECTION AS SHOWN IN FOLLOWING FIG.)  
THIS REQUIREMENT SHOULD BE APPLIED AT SHIPMENT  
PEEL OFF SHOULD NOT BE ALLOWED, DURING TRANSPORTATION
- 材料 (MATERIAL)  
キャリアテープ (CARRIER TAPE): ポリプロピレン (POLYPROPYLENE)  
トップテープ (TOP TAPE): PET, PE, PEF  
リール (REEL): ポリスチレン (PS) <リサイクル材を含む>  
POLYSTYRENE (PS) <RECYCLE MATERIAL CONTAINED>
- 本製品は52271-\*\*-19の鉛フリー品である。  
THIS PRODUCT IS LEAD FREE OF 52271-\*\*-19.
- 本製品は乾燥剤入り、ハイバリア梱包仕様である。  
THIS PRODUCT IS HIGH BARRIER PACKAGE WITH DESICCANT.



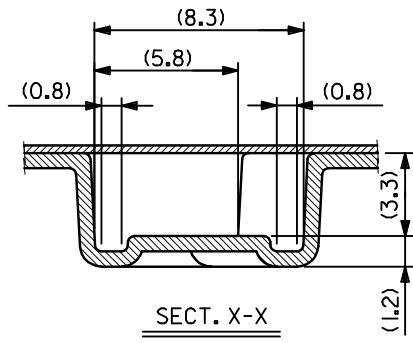
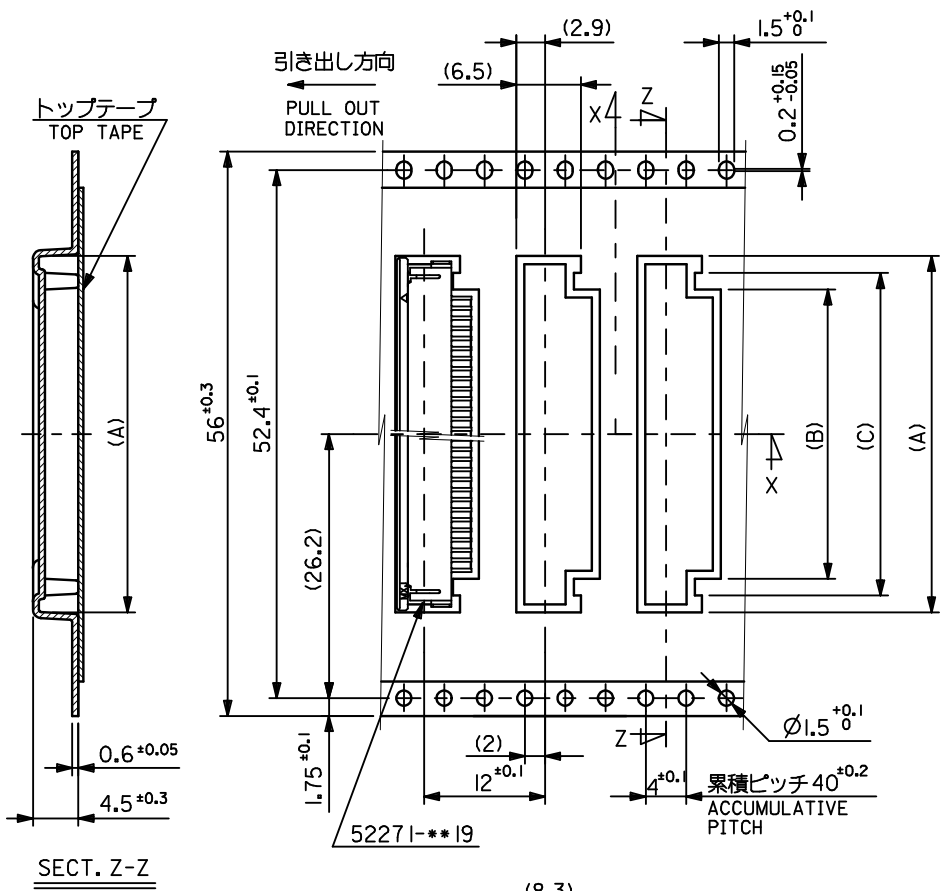
24	29.4	25.4	15	11.4	18.3	52271-1179	11		
			14	10.4	17.3	-1079	10		
			13	9.4	16.3	-0979	9		
			12	8.4	15.3	-0879	8		
			11	7.4	14.3	-0779	7		
			10	6.4	13.3	-0679	6		
			9	5.4	12.3	-0579	5		
			8	4.4	11.3	52271-0479	4		
MODEL NO.	52271-**-19	CARRIER TAPE WIDTH	E	D	(C)	(B)	(A)	MATERIAL NO.	種数 CKT.

REVISED EC NO: J2009-2061 DRWN:TKON 2009/05/20 CHKD:HMATSUMOTO 2009/05/21 APPR:NIKI ITA 2009/05/21	DESCRIPTION	GENERAL TOLERANCES (UNLESS SPECIFIED)		DIMENSION STYLE MM ONLY		SCALE ---	DESIGN UNITS METRIC		THIRD ANGLE PROJECTION		
		10 UNDER	±0.2	DRAWN BY H. KAWABATA	DATE 2004/03/12	TITLE EMBOSSED TAPE PACKAGE FOR 52271-**-19 -LEAD FREE-					
		10 OVER 30 UNDER	±0.25	CHECKED BY K. TOJO	DATE 2004/03/12	MOLEX INCORPORATED					
		30 OVER	±0.3	APPROVED BY M. SASAO	DATE 2004/03/12	SEE TABLE SD-52271-037					
ANGULAR ±3		DRAFT WHERE APPLICABLE MUST REMAIN WITHIN DIMENSIONS		MATERIAL NO.		DOCUMENT NO.		SHEET NO. 1 OF 3			
SIZE A3		THIS DRAWING CONTAINS INFORMATION THAT IS PROPRIETARY TO MOLEX INCORPORATED AND SHOULD NOT BE USED WITHOUT WRITTEN PERMISSION									



44	49.4	45.4	31	27.4	34.35	52271-2779	27
			30	26.4	33.35	-2679	26
			29	25.4	32.35	-2579	25
			28	24.4	31.35	-2479	24
			27	23.4	30.35	-2379	23
			26	22.4	29.35	-2279	22
			25	21.4	28.35	-2179	21
			24	20.4	27.35	-2079	20
			23	19.4	26.35	-1979	19
			22	18.4	25.35	-1879	18
			21	17.4	24.35	-1779	17
			20	16.4	23.35	-1679	16
			19	15.4	22.35	-1579	15
			18	14.4	21.35	-1479	14
32	37.4	33.4	17	13.4	20.35	-1379	13
			16	12.4	19.35	52271-1279	12
			(C)	(B)	(A)	MATERIAL NO.	標 数
							標 数

REVISED EC NO.: J2009-2061 DRWN:TKON 2009/05/20 CHKD:HATSUMOTO 2009/05/21 APPR:NIKI ITA 2009/05/21 REV A	DESCRIPTION GENERAL TOLERANCES (UNLESS SPECIFIED) 10 UNDER ±0.2 10 OVER 30 UNDER ±0.25 30 OVER ±0.3 ANGULAR ±3° DRAFT WHERE APPLICABLE MUST REMAIN WITHIN DIMENSIONS	DIMENSION STYLE MM ONLY	SCALE ---	DESIGN UNITS METRIC	THIRD ANGLE PROJECTION	
		DRAWN BY H. KAWABATA	DATE 2004/03/12	TITLE EMBOSSED TAPE PACKAGE FOR 52271-**19 -LEAD FREE-		
		CHECKED BY K. TOJO	DATE 2004/03/12	MOLEX INCORPORATED		
		APPROVED BY M. SASAO	DATE 2004/03/12	MATERIAL NO. SEE TABLE		DOCUMENT NO. SD-52271-037



56	61.4	57.4	34	30.4	37.35	52271-3079	30
			33	29.4	36.35	52271-2979	29
			32	28.4	35.35	52271-2879	28
キャリアテープ幅 CARRIER TAPE WIDTH	E	D	(C)	(B)	(A)	MATERIAL NO.	種 数 CKT.

REVISED EC NO.: J2009-2061 2009/05/20 DRWN:TKON CHKD:HMATSUMOTO 2009/05/21 APPR:NIKI ITA 2009/05/21	GENERAL TOLERANCES (UNLESS SPECIFIED)		DIMENSION STYLE MM ONLY		SCALE ---	DESIGN UNITS METRIC	THIRD ANGLE PROJECTION
	10 UNDER	±0.2	DRAWN BY H. KAWABATA	DATE 2004/03/12	TITLE EMBOSSSED TAPE PAKEGE FOR 52271-***19 -LEAD FREE-		
	10 OVER 30 UNDER	±0.25	CHECKED BY K. TOJO	DATE 2004/03/12	MOLEX INCORPORATED		
	30 OVER	±0.3	APPROVED BY M. SASAO	DATE 2004/03/12	MATERIAL NO. SEE TABLE	DOCUMENT NO. SD-52271-037	SHEET NO. 3 OF 3
	ANGULAR ±3		THIS DRAWING CONTAINS INFORMATION THAT IS PROPRIETARY TO MOLEX INCORPORATED AND SHOULD NOT BE USED WITHOUT WRITTEN PERMISSION				
	DRAFT WHERE APPLICABLE MUST REMAIN WITHIN DIMENSIONS						