

PLEASE CHECK WWW.MOLEX.COM FOR LATEST PART INFORMATION

Part Number: [0905712342](#)
Status: **Active**
Description: 2.54mm (.100") Pitch QF-50™ Header, Vertical, Dual Row, Shrouded, DIN Keying, 34 Circuits, 0.76 µm Gold (Au)

Documents:

[Drawing \(PDF\)](#) [RoHS Certificate of Compliance \(PDF\)](#)

Agency Certification

CSA LR19980
 UL E29179

General

Product Family Ribbon Cable / Wire Trap Connectors
 Series [90571](#)
 Comments Eject Levers
 Component Type PCB Header
 Glow-Wire Compliant No
 Product Name QF-50™

Physical

Circuits (Loaded) 34
 Circuits (maximum) 34
 Color - Resin Black
 Durability (mating cycles max) 300
 Entry Angle Vertical
 Flammability 94V-0
 Lock to Mating Part None
 Material - Metal Brass
 Material - Plating Mating Gold
 Material - Plating Termination Tin
 Material - Resin Polyester
 Number of Rows 2
 PCB Locator No
 PCB Retention None
 PCB Thickness Recommended (in) 0.062 In
 PCB Thickness Recommended (mm) 1.60 mm
 Packaging Type Tray
 Pitch - Mating Interface (in) 0.100 In
 Pitch - Mating Interface (mm) 2.54 mm
 Pitch - Term. Interface (in) 0.100 In
 Pitch - Term. Interface (mm) 2.54 mm
 Plating min: Mating (µin) 30.4
 Plating min: Mating (µm) 0.76
 Plating min: Termination (µin) 120
 Plating min: Termination (µm) 3
 Polarized to Mating Part Yes
 Polarized to PCB No
 Shrouded Closed Ends
 Stackable Yes
 Surface Mount Compatible (SMC) No
 Temperature Range - Operating -25°C to +85°C
 Termination Interface: Style Through Hole
 Wire Insulation Diameter N/A
 Wire Size AWG N/A
 Wire/Cable Type Ribbon Cable

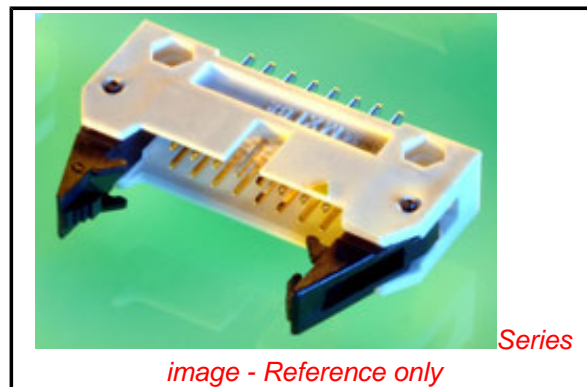


image - Reference only

EU RoHS

China RoHS

Compliance Status

Not Reviewed

REACH SVHC

Not Reviewed

Halogen-Free

Status

Not Reviewed

Need more information on product environmental compliance?

Email productcompliance@molex.com
 For a multiple part number RoHS Certificate of Compliance, [click here](#)

Please visit the [Contact Us](#) section for any non-product compliance questions.

Search Parts in this Series

[90571Series](#)

Mates With

[90635 QF-50™ Female Housing](#)

Electrical

Current - Maximum per Contact

1A

Voltage - Maximum

250V

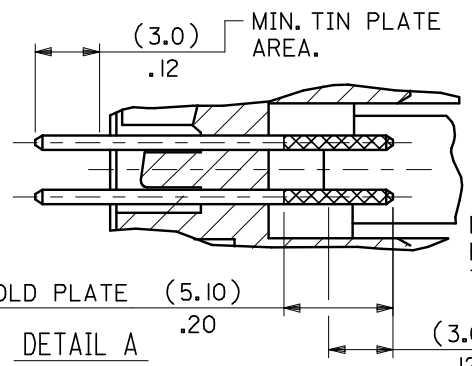
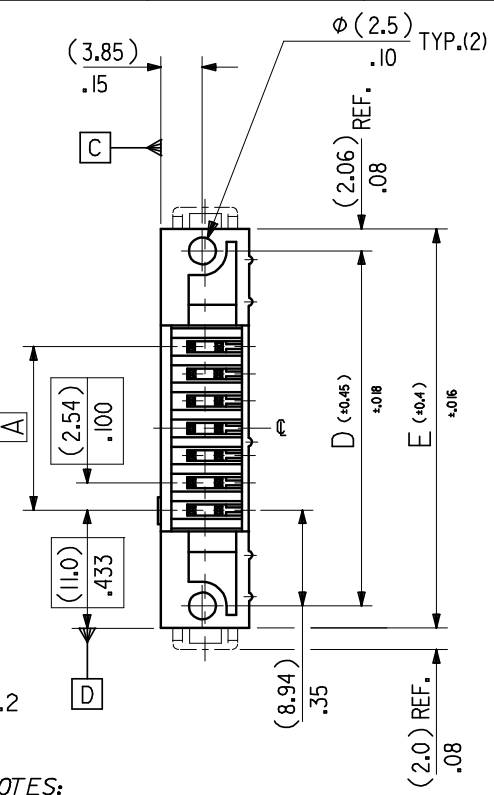
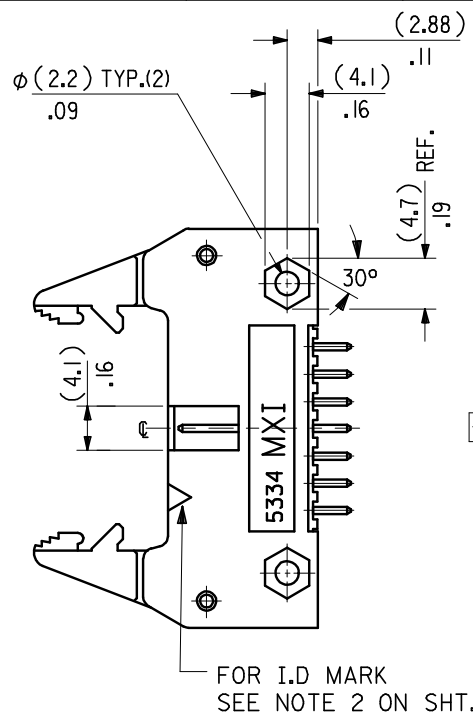
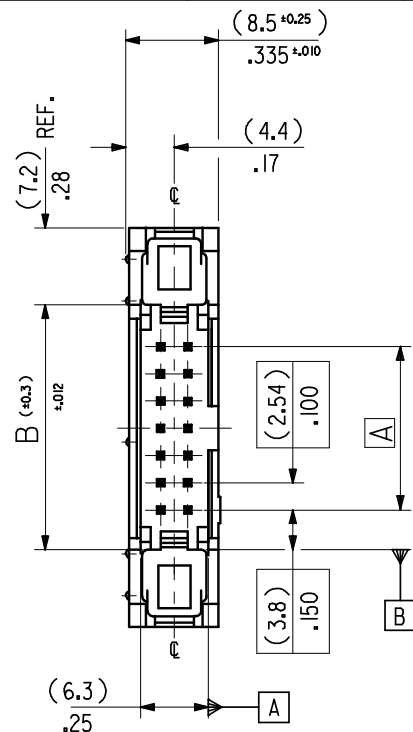
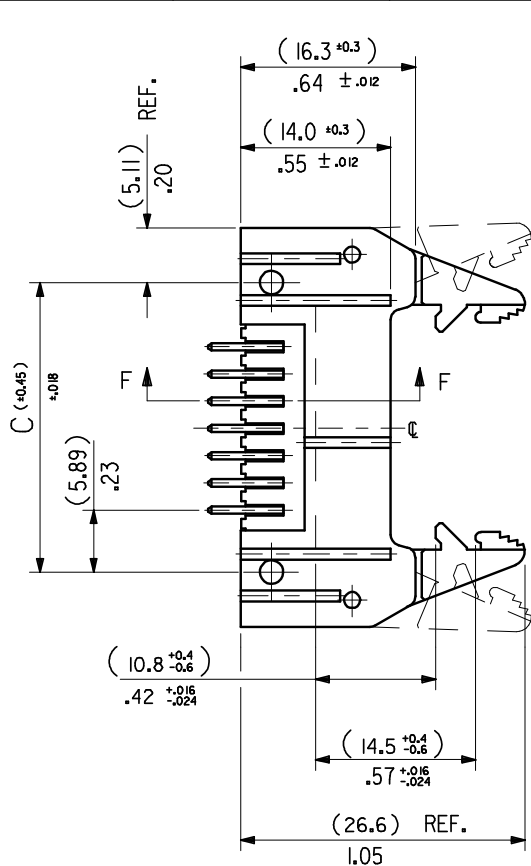
Material Info**Reference - Drawing Numbers**

Sales Drawing

SDA-90571

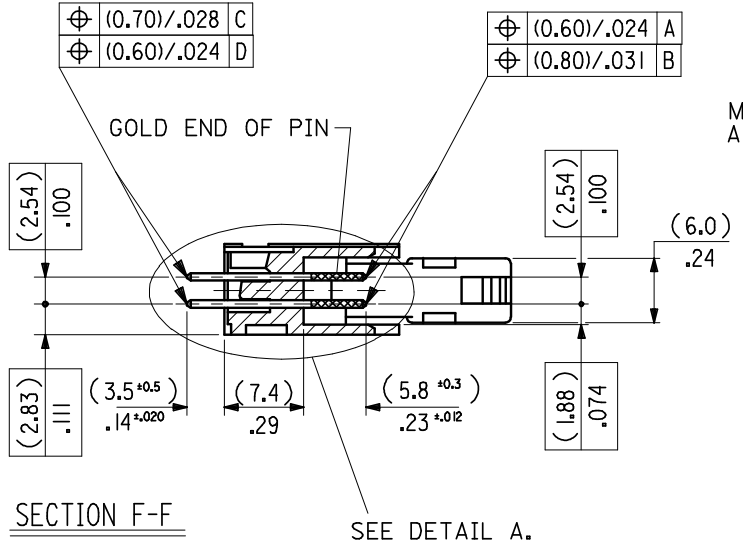
This document was generated on 06/08/2010

PLEASE CHECK WWW.MOLEX.COM FOR LATEST PART INFORMATION

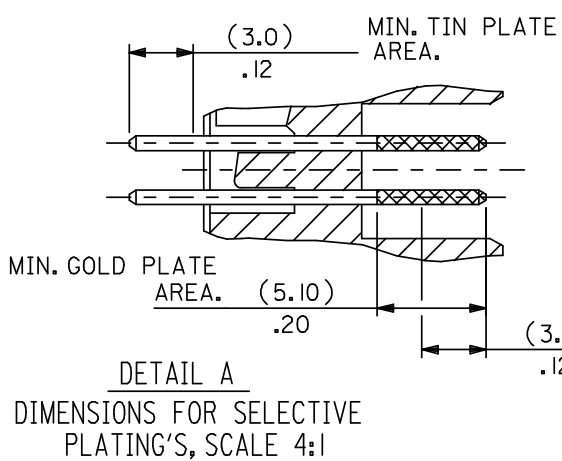
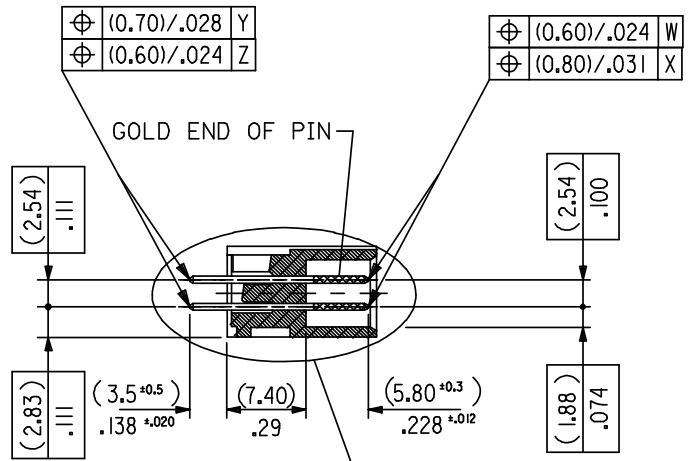
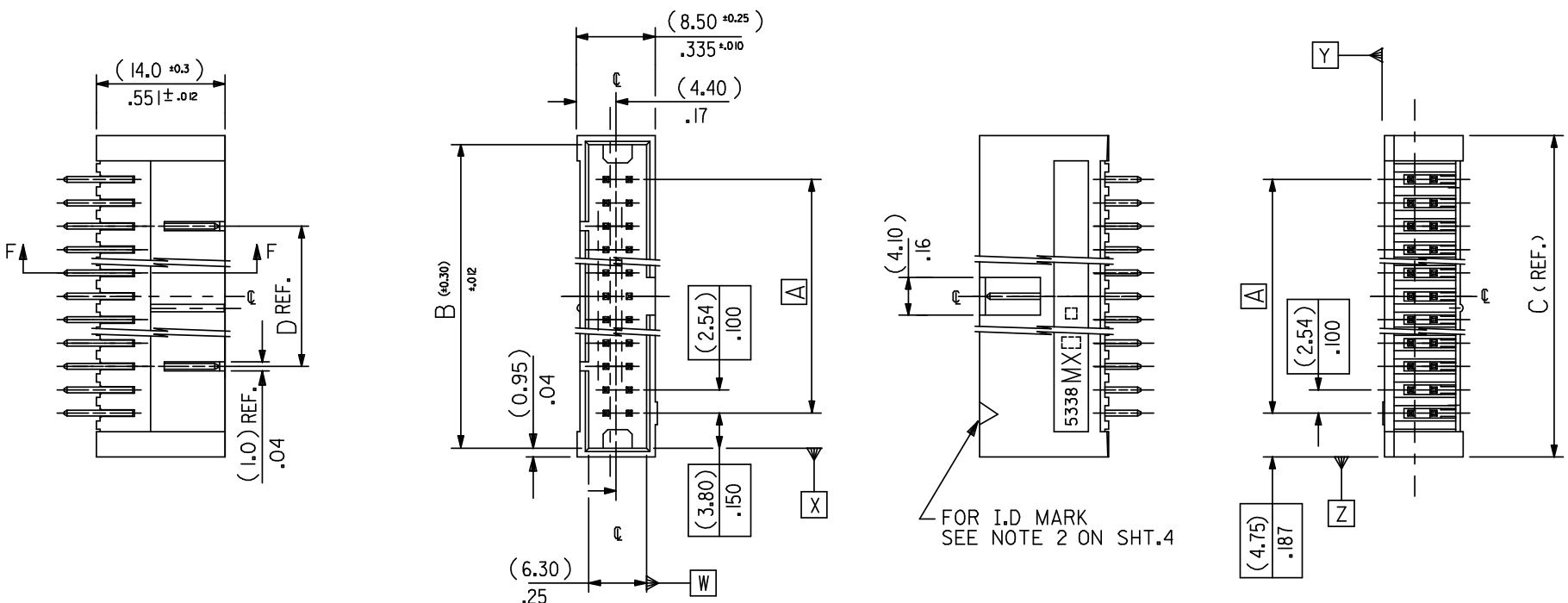


DIMENSIONS FOR SELECTIVE PLATING'S, SCALE 4:1

- NOTES:
- 1: FOR MATERIAL SPECIFICATION SEE NOTE 1. ON SHEET 2.
 - 2: FOR RECOMMENDED P.C.B.HOLE PATTERN, PART No's AND UNSTATED DIMENSIONS SEE SHEET 2.
 - 3: PRODUCT SPEC. No. :PS 99020-0015



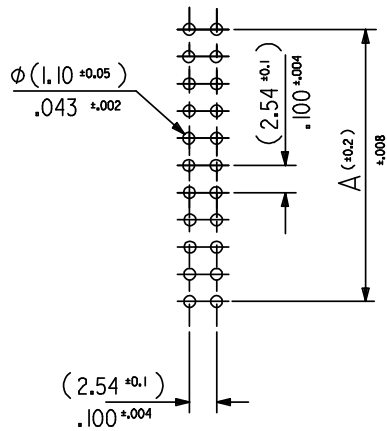
| | | | | | | | | | |
|--|-------------------------------|--|--------------|---|---------------------------|----------------------|------------------------|-----------------|-----------------|
| CHANGED GEN TOL. EC NO: E2008-0461 DRWN:ILK ERNAN 2008/03/05 CHKD: 2008/03/06 APPR:BMAGUIRE 2008/03/06 | QUALITY SYMBOLS ▼ = ▽ = | GENERAL TOLERANCES (UNLESS SPECIFIED) | | DIMENSION STYLE IN/MM | SCALE 2:1 | DESIGN UNITS INCH | THIRD ANGLE PROJECTION | | |
| | | 4 PLACES ± --- ± | 3 PLACES ± ± | 2 PLACES ±0.15 ±.005 | 1 PLACE ±0.02 ±.008 | ANGULAR ±1/2° | DRAWN BY SM | DATE 3 /8/90 | CHECKED BY X |
| REV | DESCRIPTION | DRAFT WHERE APPLICABLE MUST REMAIN WITHIN DIMENSIONS | | MATERIAL NO. | DOCUMENT NO. SDA-90571 | SHEET NO. 1 OF 4 | | | |
| SIZE A3 | | | | THIS DRAWING CONTAINS INFORMATION THAT IS PROPRIETARY TO MOLEX INCORPORATED AND SHOULD NOT BE USED WITHOUT WRITTEN PERMISSION | | | | | |



- NOTES:
- FOR MATERIAL SPECIFICATION SEE NOTE 1. ON SHEET 4.
 - FOR RECOMMENDED P.C.B.HOLE PATTERN, PART No's AND UNSTATED DIMENSIONS SEE SHEET 4.
 - PRODUCT SPEC. No. : PS-99020-0015

| CHANGED GEN TOL. EC NO: E2008-0461 DRWN:KJERNAN 2008/03/05 CHKD: 2008/03/06 APPR:BYAGUIRE 2008/03/06 | QUALITY SYMBOLS | GENERAL TOLERANCES (UNLESS SPECIFIED) | DIMENSION STYLE | SCALE | DESIGN UNITS | THIRD ANGLE PROJECTION | | | | | | | | | | | | | | | |
|---|--|--|--|-------|--------------|------------------------|--------|---|----------|---|---|----------|--------|--------|---------|--------|--------|-------|-----|------|--|
| | $\nabla =$ $\sphericalangle =$ | <table border="1"> <thead> <tr> <th></th> <th>mm</th> <th>INCH</th> </tr> </thead> <tbody> <tr> <td>4 PLACES</td> <td>± .005</td> <td>±</td> </tr> <tr> <td>3 PLACES</td> <td>±</td> <td>±</td> </tr> <tr> <td>2 PLACES</td> <td>± 0.15</td> <td>± .005</td> </tr> <tr> <td>1 PLACE</td> <td>± 0.20</td> <td>± .008</td> </tr> </tbody> </table> | | mm | INCH | 4 PLACES | ± .005 | ± | 3 PLACES | ± | ± | 2 PLACES | ± 0.15 | ± .005 | 1 PLACE | ± 0.20 | ± .008 | IN/MM | 2:1 | INCH | |
| | | mm | INCH | | | | | | | | | | | | | | | | | | |
| | 4 PLACES | ± .005 | ± | | | | | | | | | | | | | | | | | | |
| 3 PLACES | ± | ± | | | | | | | | | | | | | | | | | | | |
| 2 PLACES | ± 0.15 | ± .005 | | | | | | | | | | | | | | | | | | | |
| 1 PLACE | ± 0.20 | ± .008 | | | | | | | | | | | | | | | | | | | |
| DRAWN BY DATE SM 3/8/90 CHECKED BY DATE APPROVED BY DATE | DRAFT WHERE APPLICABLE MUST REMAIN WITHIN DIMENSIONS | MATERIAL NO. SEE CHART SIZE A3 | TITLE QIK FLECS HEADER FOR IMPROVED WIPE FEMALE MOLEX INCORPORATED DOCUMENT NO. SDA-90571 SHEET NO. 3 OF 4 | | | | | | | | | | | | | | | | | | |
| THIS DRAWING CONTAINS INFORMATION THAT IS PROPRIETARY TO MOLEX INCORPORATED AND SHOULD NOT BE USED WITHOUT WRITTEN PERMISSION | | | | | | | | | | | | | | | | | | | | | |

| | | | | | | | | |
|---------------|---------------|---------------|---------------|-------------------------|-------------------------|-------------------------|---------------------|----------------|
| (78.74)/3.100 | (86.34)/3.400 | (88.24)/3.474 | (63.50)/2.500 | 90571-2641 | 90571-2642 | 90571-2643 | ————— | 64 |
| (73.66)/2.900 | (81.26)/3.200 | (83.16)/3.274 | (50.80)/2.000 | ↑ -2601 | ↑ -2602 | ↑ -2603 | ————— | 60 |
| (60.96)/2.400 | (68.56)/2.700 | (70.46)/2.774 | (38.10)/1.500 | -2501 | -2502 | -2503 | 90571-2509 | 50 |
| (48.26)/1.900 | (55.86)/2.200 | (57.76)/2.274 | (33.02)/1.300 | -2401 | -2402 | -2403 | ↑ -2409 | 40 |
| (40.64)/1.600 | (48.24)/1.900 | (50.14)/1.974 | (30.48)/1.200 | -2341 | -2342 | -2343 | -2349 | 34 |
| (35.56)/1.400 | (43.16)/1.700 | (45.06)/1.774 | (25.40)/1.000 | -2301 | -2302 | -2303 | -2309 | 30 |
| (30.48)/1.200 | (38.08)/1.500 | (39.98)/1.574 | ————— | -2261 | -2262 | -2263 | -2269 | 26 |
| (22.86)/.900 | (30.46)/1.200 | (32.36)/1.274 | ————— | -2201 | -2202 | -2203 | -2209 | 20 |
| (17.78)/.700 | (25.38)/1.000 | (27.28)/1.074 | ————— | -2161 | -2162 | -2163 | -2169 | 16 |
| (15.24)/.600 | (22.84)/.900 | (24.74)/.974 | ————— | ↓ -2141 | ↓ -2142 | ↓ -2143 | ↓ -2149 | 14 |
| (10.16)/.400 | (17.76)/.700 | (19.66)/.774 | ————— | 90571-2101 | 90571-2102 | 90571-2103 | 90571-2109 | 10 |
| A | B | C | D | ENG. NO. GS1 PLATING | ENG. NO. GS2 PLATING | ENG. NO. GS3 PLATING | ENG. NO. PRE TIN | NO.OF CKTS. |



RECOMMENDED P.C.B. HOLE PATTERN.

NOTES

1. MATERIAL

HEADER : GLASS FILLED POLYESTER (UL 94V0), COLOUR - BLACK.
PINS : BRASS SIZE \square (0.635)/.025 .

2. COLOUR IDENTIFICATION MARK FOR PLATING OPTIONS.

90571-2**1, (1um)/39uin MIN. NICKEL UNDERPLATE. CONTACT AREA
GS1 PLATING (0.1um)/4uin MIN. GOLD. SOLDER AREA (3um)/118uin MIN.
TIN. COLOUR MARK: YELLOW.

90571-2**2, (1um)/39uin MIN. NICKEL UNDERPLATE. CONTACT AREA
GS2 PLATING (0.76um)/30uin MIN. GOLD. SOLDER AREA (3um)/118uin MIN.
TIN. COLOUR MARK: BROWN.

90571-2**3, (1um)/39uin MIN. NICKEL UNDERPLATE. CONTACT AREA
GS3 PLATING (0.25um)/10uin MIN. GOLD. SOLDER AREA (3um)/118uin MIN.
TIN. COLOUR MARK: BLUE.

90571-2**9, (0.5-1um)/20-40uin NICKEL UNDER (1.0-3.0um)/39-118uin TIN.
PRE-TIN COLOUR MARK: BLACK, (NO MARK).

3. RECOMMENDED PCB THICKNESS 1.6mm

| | | | | | | | |
|---|---------------------------|---|------|------------------------|--------|---|------------------------|
| CHANGED GEN TOL EC NO: E2008-0461 DRWN: NIKL IERNAN 2008/03/05 CHKD: 2008/03/06 APPR: BMAGUIRE 2008/03/06 | QUALITY SYMBOLS = = | GENERAL TOLERANCES (UNLESS SPECIFIED) | | DIMENSION STYLE | SCALE | DESIGN UNITS | THIRD ANGLE PROJECTION |
| | | mm | INCH | IN/MM | 2:1 | INCH | |
| | | 4 PLACES ± --- | ± | DRAWN BY | DATE | TITLE | |
| | | 3 PLACES ± | ± | SM | 3/8/90 | QIK FLECS HEADER FOR IMPROVED WIPE FEMALE | |
| 2 PLACES ± 0.15 | ± .005 | CHECKED BY | DATE | MOLEX INCORPORATED | | | |
| 1 PLACE ± 0.20 | ± .008 | APPROVED BY | DATE | MATERIAL NO. SEE CHART | | | |
| ANGULAR ± 1/2° | | DOCUMENT NO. SDA-90571 | | SHEET NO. 4 OF 4 | | | |
| DRAFT WHERE APPLICABLE MUST REMAIN WITHIN DIMENSIONS | | THIS DRAWING CONTAINS INFORMATION THAT IS PROPRIETARY TO MOLEX INCORPORATED AND SHOULD NOT BE USED WITHOUT WRITTEN PERMISSION | | | | | |