

Programmable Timing Control Hub™ for K8™ processor

Recommended Application:

SiS755/760 style chipset for AMD K8 Processor

Output Features:

- 2 - Pairs of differential push-pull K8CPU outputs
- 8 - PCICLK @ 3.3V
- 2 - AGPCLK @ 3.3V
- 3 - REF @ 3.3V
- 2 - ZCLK @ 3.3V
- 1 - 24_48MHz @ 3.3V
- 1 - 48MHz @ 3.3V

Key Specifications:

- CPU Output Jitter <250ps
- AGP Output Jitter <250ps
- ZCLK Output Jitter <250ps
- PCI Output Jitter <500ps

Features/Benefits:

- QuadRom™ frequency selection.
- Selectable synchronous/asynchronous AGP/PCI/ZCLK frequency
- Linear Programmable CPU output frequency.
- Linear Programmable AGP/PCI output frequency.
- Programmable output divider ratios.
- Programmable output rise/fall time.
- Programmable output skew.
- Programmable spread percentage for EMI control.
- Watchdog timer technology to reset system if system malfunctions.
- Programmable watch dog safe frequency.
- Support I2C Index read/write and block read/write operations.
- Uses external 14.318MHz reference input.

Functionality

Bit4	Bit3	Bit2	Bit1	Bit0	CPU	ZCLK	AGP	PCI
FS4	FS3	FS2	FS1	FS0	MHz	MHz	MHz	MHz
0	0	0	0	0	200.00	66.67	66.67	33.33
0	0	0	0	1	200.00	100.00	66.67	33.33
0	0	0	1	0	200.00	133.33	66.67	33.33
0	0	0	1	1	200.00	166.67	66.67	33.33
0	0	1	0	0	233.33	66.67	66.67	33.33
0	0	1	0	1	233.33	93.33	66.67	33.33
0	0	1	1	0	233.33	133.33	66.67	33.33
0	0	1	1	1	233.33	175.00	70.00	35.00
0	1	0	0	0	266.67	66.67	66.67	33.33
0	1	0	0	1	266.67	106.67	66.67	33.33
0	1	0	1	0	266.67	133.33	66.67	33.33
0	1	0	1	1	266.67	160.00	66.67	33.33
0	1	1	0	0	293.34	73.34	73.33	36.66
0	1	1	0	1	293.34	117.34	73.33	36.66
0	1	1	1	0	293.34	146.66	73.33	36.66
0	1	1	1	1	293.34	176.00	73.33	36.66
1	0	0	0	0	133.33	66.67	66.67	33.33
1	0	0	0	1	133.33	100.00	66.67	33.33
1	0	0	1	0	133.33	133.33	66.67	33.33
1	0	0	1	1	133.33	166.67	66.67	33.33
1	0	1	0	0	166.67	66.67	66.67	33.33
1	0	1	0	1	166.67	100.00	66.67	33.33
1	0	1	1	0	166.67	133.33	66.67	33.33
1	0	1	1	1	166.67	166.67	66.67	33.33
1	1	0	0	0	202.00	67.34	67.33	33.66
1	1	0	0	1	202.00	101.00	67.33	33.66
1	1	0	1	0	202.00	134.66	67.33	33.66
1	1	0	1	1	202.00	168.34	67.33	33.66
1	1	1	0	0	220.00	73.34	73.33	36.66
1	1	1	0	1	220.00	110.00	73.33	36.66
1	1	1	1	0	220.00	146.66	73.33	36.66
1	1	1	1	1	220.00	183.34	73.33	36.66

Pin Configuration

VDDREF	1	48	CPU_STOP#*
**FS0/REF0	2	47	GNDCPU
**FS1/REF1	3	46	CPUCLK8T1
**FS2/REF2	4	45	CPUCLK8C1
GNDREF	5	44	VDDCPU
X1	6	43	VDDCPU
X2	7	42	CPUCLK8T0
GNDZ	8	41	CPUCLK8C0
ZCLK0	9	40	GNDCPU
ZCLK1	10	39	AGND
VDDZ	11	38	AVDD
PCI_STOP#	12	37	PD#
**FS3/PCICLK_F0	13	36	GNDAGP
**FS4/PCICLK_F1	14	35	AGPCLK0
VDDPCI	15	34	AGPCLK1
GNDPCI	16	33	VDDAGP
PCICLK0	17	32	SCLK
PCICLK1	18	31	AVDD48
PCICLK2	19	30	48MHz
PCICLK3	20	29	24_48MHz/SEL24_48MHz*
PCICLK4	21	28	GND48
PCICLK5	22	27	SDATA
GNDPCI	23	26	PCICLK7
VDDPCI	24	25	PCICLK6

48-SSOP

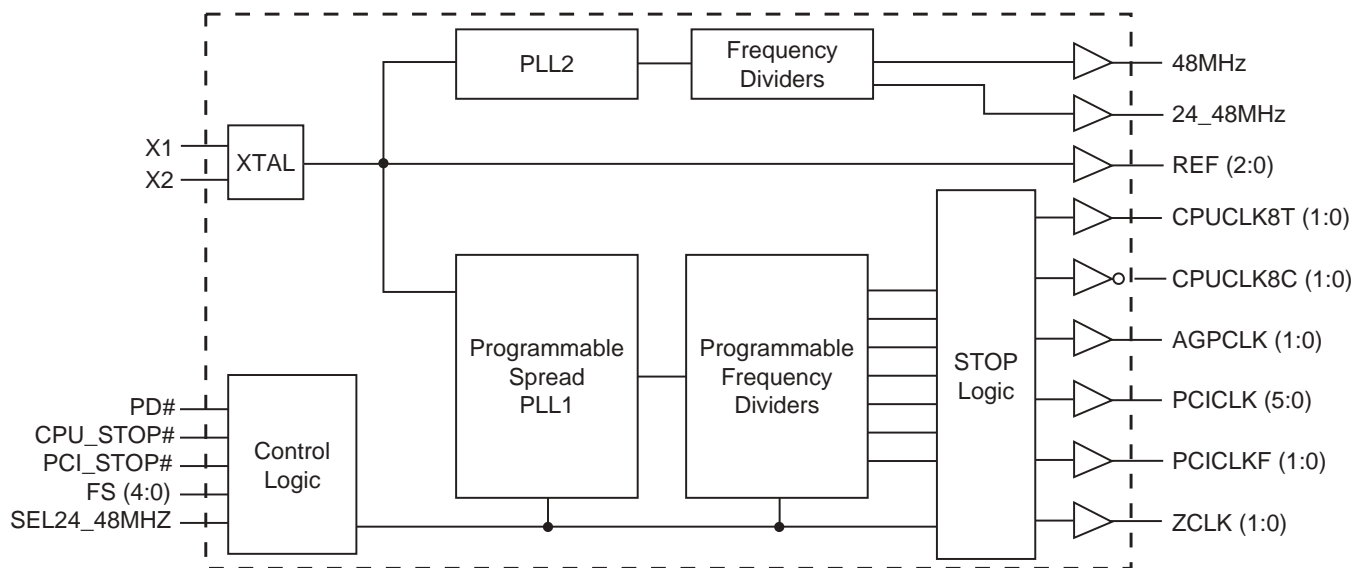
- * Internal Pull-Up Resistor
- ** Internal Pull-Down Resistor

General Description

The **ICS952801** is a two chip clock solution for desktop designs using SIS 755/760 style chipsets. When used with a zero delay buffer such as the ICS9179-16 for PC133 or the ICS93735 for DDR applications it provides all the necessary clocks signals for such a system.

The **ICS952801** is part of a whole new line of ICS clock generators and buffers called TCH™ (Timing Control Hub). ICS is the first to introduce a whole product line which offers full programmability and flexibility on a single clock device. Employing the use of a serially programmable I²C interface, this device can adjust the output clocks by configuring the frequency setting, the output divider ratios, selecting the ideal spread percentage, the output skew, the output strength, and enabling/disabling each individual output clock. TCH also incorporates ICS's Watchdog Timer technology and a reset feature to provide a safe setting under unstable system conditions. M/N control can configure output frequency with resolution up to 0.1MHz increment.

Block Diagram



Power Groups

Pin Number		Description
VDD	GND	
1	5	REF Output, Crystal
31	28	24/48MHz, Fix Analog, Fix Digital
38	36	CPU PLL, CPU Analog, MCLK

Pin Description

PIN #	PIN NAME	PIN TYPE	DESCRIPTION
1	VDDREF	PWR	Ref, XTAL power supply, nominal 3.3V
2	**FS0/REF0	I/O	Frequency select latch input pin / 14.318 MHz reference clock.
3	**FS1/REF1	I/O	Frequency select latch input pin / 14.318 MHz reference clock.
4	**FS2/REF2	I/O	Frequency select latch input pin / 14.318 MHz reference clock.
5	GNDREF	PWR	Ground pin for the REF outputs.
6	X1	IN	Crystal input, nominally 14.318MHz.
7	X2	OUT	Crystal output, Nominally 14.318MHz
8	GNDZ	PWR	Ground pin for the ZCLK outputs
9	ZCLK0	OUT	3.3V Hyperzip clock output.
10	ZCLK1	OUT	3.3V Hyperzip clock output.
11	VDDZ	PWR	Power supply for ZCLK clocks, nominal 3.3V
12	*PCI_STOP#	I/O	PCI clock output, this output is activated by the Mode selection pin / Stops all PCICLKs besides the PCICLK_F clocks at logic 0 level, when input low.
13	**FS3/PCICLK_F0	I/O	Frequency select latch input pin / 3.3V PCI free running clock output.
14	**FS4/PCICLK_F1	I/O	Frequency select latch input pin / 3.3V PCI free running clock output.
15	VDDPCI	PWR	Power supply for PCI clocks, nominal 3.3V
16	GNDPCI	PWR	Ground pin for the PCI outputs
17	PCICLK0	OUT	PCI clock output.
18	PCICLK1	OUT	PCI clock output.
19	PCICLK2	OUT	PCI clock output.
20	PCICLK3	OUT	PCI clock output.
21	PCICLK4	OUT	PCI clock output.
22	PCICLK5	OUT	PCI clock output.
23	GNDPCI	PWR	Ground pin for the PCI outputs
24	VDDPCI	PWR	Power supply for PCI clocks, nominal 3.3V
25	PCICLK6	OUT	PCI clock output.
26	PCICLK7	OUT	PCI clock output.
27	SDATA	I/O	Data pin for I2C circuitry 5V tolerant
28	GND48	PWR	Ground pin for the 48MHz outputs
29	24_48MHz/SEL24_48MHz*	I/O	24/48MHz clock output / Latched select input for 24/48MHz output. 0=24mHz, 1 = 48MHz.
30	48MHz	OUT	48MHz clock output.
31	AVDD48	PWR	Power for 24/48MHz outputs and fixed PLL core, nominal 3.3V
32	SCLK	IN	Clock pin of I2C circuitry 5V tolerant
33	VDDAGP	PWR	Power supply for AGP clocks, nominal 3.3V
34	AGPCLK1	OUT	AGP clock output
35	AGPCLK0	OUT	AGP clock output
36	GNDAGP	PWR	Ground pin for the AGP outputs
37	PD#*	IN	Asynchronous active low input pin used to power down the device into a low power state. The internal clocks are disabled and the VCO and the crystal are stopped. The latency of the power down will not be greater than 1.8ms.
38	AVDD	PWR	3.3V Analog Power pin for Core PLL
39	AGND	PWR	Analog Ground pin for Core PLL
40	GNDCPU	PWR	Ground pin for the CPU outputs
41	CPUCLK8C0	OUT	"Complementary" clocks of differential 3.3V push-pull K8 pair.
42	CPUCLK8T0	OUT	"True" clocks of differential 3.3V push-pull K8 pair.
43	VDDCPU	PWR	Supply for CPU clocks, 3.3V nominal
44	VDDCPU	PWR	Supply for CPU clocks, 3.3V nominal
45	CPUCLK8C1	OUT	"Complementary" clocks of differential 3.3V push-pull K8 pair.
46	CPUCLK8T1	OUT	"True" clocks of differential 3.3V push-pull K8 pair.
47	GNDCPU	PWR	Ground pin for the CPU outputs
48	CPU_STOP#*	IN	Stops all CPUCLK besides the free running clocks

* Internal Pull-Up Resistor

** Internal Pull-Down Resistor

General I²C serial interface information for the ICS952801

How to Write:

- Controller (host) sends a start bit.
- Controller (host) sends the write address D2_(H)
- ICS clock will **acknowledge**
- Controller (host) sends the beginning byte location = N
- ICS clock will **acknowledge**
- Controller (host) sends the data byte count = X
- ICS clock will **acknowledge**
- Controller (host) starts sending **Byte N through Byte N + X - 1**
(see Note 2)
- ICS clock will **acknowledge** each byte **one at a time**
- Controller (host) sends a Stop bit

How to Read:

- Controller (host) will send start bit.
- Controller (host) sends the write address D2_(H)
- ICS clock will **acknowledge**
- Controller (host) sends the beginning byte location = N
- ICS clock will **acknowledge**
- Controller (host) will send a separate start bit.
- Controller (host) sends the read address D3_(H)
- ICS clock will **acknowledge**
- ICS clock will send the data byte count = X
- ICS clock sends **Byte N + X - 1**
- ICS clock sends **Byte 0 through byte X (if X_(H) was written to byte 8).**
- Controller (host) will need to acknowledge each byte
- Controller (host) will send a not acknowledge bit
- Controller (host) will send a stop bit

Index Block Write Operation		
Controller (Host)		ICS (Slave/Receiver)
T	starT bit	
Slave Address D2 _(H)		
WR	WRite	
		ACK
Beginning Byte = N		
		ACK
Data Byte Count = X		
		ACK
Beginning Byte N		X Byte
○		
○		
○		
Byte N + X - 1		
		ACK
P	stoP bit	

Index Block Read Operation		
Controller (Host)		ICS (Slave/Receiver)
T	starT bit	
Slave Address D2 _(H)		
WR	WRite	
		ACK
Beginning Byte = N		
		ACK
RT	Repeat starT	
Slave Address D3 _(H)		
RD	ReaD	
		ACK
		Data Byte Count = X
ACK		
ACK		X Byte
○		
○		
○		
Byte N + X - 1		
N	Not acknowledge	
P	stoP bit	



Table1: QuadRom Frequency Selection Table

Bit6	Bit5	Bit4	Bit3	Bit2	Bit1	Bit0	CPU	ZCLK	AGP	PCI	Spread
X	X	FS4	FS3	FS2	FS1	FS0	MHz	MHz	MHz	MHz	%
0	0	0	0	0	0	0	200.00	66.67	66.67	33.33	0.3% Center
0	0	0	0	0	0	1	200.00	100.00	66.67	33.33	0.3% Center
0	0	0	0	0	1	0	200.00	133.33	66.67	33.33	0.3% Center
0	0	0	0	0	1	1	200.00	166.67	66.67	33.33	0.3% Center
0	0	0	0	1	0	0	233.33	66.67	66.67	33.33	0.3% Center
0	0	0	0	1	0	1	233.33	93.33	66.67	33.33	0.3% Center
0	0	0	0	1	1	0	233.33	133.33	66.67	33.33	0.3% Center
0	0	0	0	1	1	1	233.33	175.00	70.00	35.00	0.3% Center
0	0	0	1	0	0	0	266.67	66.67	66.67	33.33	Spread Off
0	0	0	1	0	0	1	266.67	106.67	66.67	33.33	Spread Off
0	0	0	1	0	1	0	266.67	133.33	66.67	33.33	Spread Off
0	0	0	1	0	1	1	266.67	160.00	66.67	33.33	Spread Off
0	0	0	1	1	0	0	293.34	73.34	73.33	36.66	Spread Off
0	0	0	1	1	0	1	293.34	117.34	73.33	36.66	Spread Off
0	0	0	1	1	1	0	293.34	146.66	73.33	36.66	Spread Off
0	0	0	1	1	1	1	293.34	176.00	73.33	36.66	Spread Off
0	0	1	0	0	0	0	133.33	66.67	66.67	33.33	0.3% Center
0	0	1	0	0	0	1	133.33	100.00	66.67	33.33	0.3% Center
0	0	1	0	0	1	0	133.33	133.33	66.67	33.33	0.3% Center
0	0	1	0	0	1	1	133.33	166.67	66.67	33.33	0.3% Center
0	0	1	0	1	0	0	166.67	66.67	66.67	33.33	0.3% Center
0	0	1	0	1	0	1	166.67	100.00	66.67	33.33	0.3% Center
0	0	1	0	1	1	0	166.67	133.33	66.67	33.33	0.3% Center
0	0	1	0	1	1	1	166.67	166.67	66.67	33.33	0.3% Center
0	0	1	1	0	0	0	202.00	67.34	67.33	33.66	B24b2:1 =11
0	0	1	1	0	0	1	202.00	101.00	67.33	33.66	B24b2:1 =11
0	0	1	1	0	1	0	202.00	134.66	67.33	33.66	B24b2:1 =11
0	0	1	1	0	1	1	202.00	168.34	67.33	33.66	B24b2:1 =11
0	0	1	1	1	0	0	220.00	73.34	73.33	36.66	Spread Off
0	0	1	1	1	0	1	220.00	110.00	73.33	36.66	Spread Off
0	0	1	1	1	1	0	220.00	146.66	73.33	36.66	Spread Off
0	0	1	1	1	1	1	220.00	183.34	73.33	36.66	Spread Off



Table1: QuadRom Frequency Selection Table Continued

Bit6	Bit5	Bit4	Bit3	Bit2	Bit1	Bit0	CPU	ZCLK	AGP	PCI	Spread
X	X	FS4	FS3	FS2	FS1	FS0	MHz	MHz	MHz	MHz	%
0	1	0	0	0	0	0	206.00	68.67	68.67	34.33	Spread Off
0	1	0	0	0	0	1	206.00	103.00	68.67	34.33	Spread Off
0	1	0	0	0	1	0	206.00	137.33	68.67	34.33	Spread Off
0	1	0	0	0	1	1	206.00	171.67	68.67	34.33	Spread Off
0	1	0	0	1	0	0	240.33	68.67	68.67	34.33	Spread Off
0	1	0	0	1	0	1	240.33	96.13	68.67	34.33	Spread Off
0	1	0	0	1	1	0	240.33	137.33	68.67	34.33	Spread Off
0	1	0	0	1	1	1	240.33	180.25	72.10	36.05	Spread Off
0	1	0	1	0	0	0	274.67	68.67	68.67	34.33	Spread Off
0	1	0	1	0	0	1	274.67	109.87	68.67	34.33	Spread Off
0	1	0	1	0	1	0	274.67	137.33	68.67	34.33	Spread Off
0	1	0	1	0	1	1	274.67	164.80	68.67	34.33	Spread Off
0	1	0	1	1	0	0	302.14	75.54	75.53	37.76	Spread Off
0	1	0	1	1	0	1	302.14	120.86	75.53	37.76	Spread Off
0	1	0	1	1	1	0	302.14	151.06	75.53	37.76	Spread Off
0	1	0	1	1	1	1	302.14	181.28	75.53	37.76	Spread Off
0	1	1	0	0	0	0	137.33	68.67	68.67	34.33	Spread Off
0	1	1	0	0	0	1	137.33	103.00	68.67	34.33	Spread Off
0	1	1	0	0	1	0	137.33	137.33	68.67	34.33	Spread Off
0	1	1	0	0	1	1	137.33	171.67	68.67	34.33	Spread Off
0	1	1	0	1	0	0	171.67	68.67	68.67	34.33	Spread Off
0	1	1	0	1	0	1	171.67	103.00	68.67	34.33	Spread Off
0	1	1	0	1	1	0	171.67	137.33	68.67	34.33	Spread Off
0	1	1	0	1	1	1	171.67	171.67	68.67	34.33	Spread Off
0	1	1	1	0	0	0	208.06	69.36	69.35	34.67	Spread Off
0	1	1	1	0	0	1	208.06	104.03	69.35	34.67	Spread Off
0	1	1	1	0	1	0	208.06	138.70	69.35	34.67	Spread Off
0	1	1	1	0	1	1	208.06	173.39	69.35	34.67	Spread Off
0	1	1	1	1	0	0	226.60	75.54	75.53	37.76	Spread Off
0	1	1	1	1	0	1	226.60	113.30	75.53	37.76	Spread Off
0	1	1	1	1	1	0	226.60	151.06	75.53	37.76	Spread Off
0	1	1	1	1	1	1	226.60	188.84	75.53	37.76	Spread Off



Table1: QuadRom Frequency Selection Table Continued

Bit6	Bit5	Bit4	Bit3	Bit2	Bit1	Bit0	CPU	ZCLK	AGP	PCI	Spread
X	X	FS4	FS3	FS2	FS1	FS0	MHz	MHz	MHz	MHz	%
1	0	0	0	0	0	0	214.00	71.34	71.33	35.66	Spread Off
1	0	0	0	0	0	1	214.00	107.00	71.33	35.66	Spread Off
1	0	0	0	0	1	0	214.00	142.66	71.33	35.66	Spread Off
1	0	0	0	0	1	1	214.00	178.34	71.33	35.66	Spread Off
1	0	0	0	1	0	0	249.66	71.33	71.33	35.66	Spread Off
1	0	0	0	1	0	1	249.66	99.86	71.33	35.66	Spread Off
1	0	0	0	1	1	0	249.66	142.66	71.33	35.66	Spread Off
1	0	0	0	1	1	1	249.66	187.25	74.90	37.45	Spread Off
1	0	0	1	0	0	0	285.34	71.34	71.33	35.66	Spread Off
1	0	0	1	0	0	1	285.34	114.14	71.33	35.66	Spread Off
1	0	0	1	0	1	0	285.34	142.66	71.33	35.66	Spread Off
1	0	0	1	0	1	1	285.34	171.20	71.33	35.66	Spread Off
1	0	0	1	1	0	0	313.87	78.47	78.47	39.23	Spread Off
1	0	0	1	1	0	1	313.87	125.55	78.47	39.23	Spread Off
1	0	0	1	1	1	0	313.87	156.93	78.47	39.23	Spread Off
1	0	0	1	1	1	1	313.87	188.32	78.47	39.23	Spread Off
1	0	1	0	0	0	0	142.66	71.34	71.33	35.66	Spread Off
1	0	1	0	0	0	1	142.66	107.00	71.33	35.66	Spread Off
1	0	1	0	0	1	0	142.66	142.66	71.33	35.66	Spread Off
1	0	1	0	0	1	1	142.66	178.34	71.33	35.66	Spread Off
1	0	1	0	1	0	0	178.34	71.34	71.33	35.66	Spread Off
1	0	1	0	1	0	1	178.34	107.00	71.33	35.66	Spread Off
1	0	1	0	1	1	0	178.34	142.66	71.33	35.66	Spread Off
1	0	1	0	1	1	1	178.34	178.34	71.33	35.66	Spread Off
1	0	1	1	0	0	0	216.14	72.05	72.05	36.02	Spread Off
1	0	1	1	0	0	1	216.14	108.07	72.05	36.02	Spread Off
1	0	1	1	0	1	0	216.14	144.09	72.05	36.02	Spread Off
1	0	1	1	0	1	1	216.14	180.12	72.05	36.02	Spread Off
1	0	1	1	1	0	0	235.40	78.47	78.47	39.23	Spread Off
1	0	1	1	1	0	1	235.40	117.70	78.47	39.23	Spread Off
1	0	1	1	1	1	0	235.40	156.93	78.47	39.23	Spread Off
1	0	1	1	1	1	1	235.40	196.17	78.47	39.23	Spread Off



Table1: QuadRom Frequency Selection Table Continued

Bit6	Bit5	Bit4	Bit3	Bit2	Bit1	Bit0	CPU	ZCLK	AGP	PCI	Spread
X	X	FS4	FS3	FS2	FS1	FS0	MHz	MHz	MHz	MHz	%
1	1	0	0	0	0	0	220.00	73.34	73.33	36.66	Spread Off
1	1	0	0	0	0	1	220.00	110.00	73.33	36.66	Spread Off
1	1	0	0	0	1	0	220.00	146.66	73.33	36.66	Spread Off
1	1	0	0	0	1	1	220.00	183.34	73.33	36.66	Spread Off
1	1	0	0	1	0	0	256.66	73.33	73.33	36.66	Spread Off
1	1	0	0	1	0	1	256.66	102.66	73.33	36.66	Spread Off
1	1	0	0	1	1	0	256.66	146.66	73.33	36.66	Spread Off
1	1	0	0	1	1	1	256.66	192.50	77.00	38.50	Spread Off
1	1	0	1	0	0	0	293.34	73.34	73.33	36.66	Spread Off
1	1	0	1	0	0	1	293.34	117.34	73.33	36.66	Spread Off
1	1	0	1	0	1	0	293.34	146.66	73.33	36.66	Spread Off
1	1	0	1	0	1	1	293.34	176.00	73.33	36.66	Spread Off
1	1	0	1	1	0	0	322.67	80.67	80.67	40.33	Spread Off
1	1	0	1	1	0	1	322.67	129.07	80.67	40.33	Spread Off
1	1	0	1	1	1	0	322.67	161.33	80.67	40.33	Spread Off
1	1	0	1	1	1	1	322.67	193.60	80.67	40.33	Spread Off
1	1	1	0	0	0	0	146.66	73.34	73.33	36.66	Spread Off
1	1	1	0	0	0	1	146.66	110.00	73.33	36.66	Spread Off
1	1	1	0	0	1	0	146.66	146.66	73.33	36.66	Spread Off
1	1	1	0	0	1	1	146.66	183.34	73.33	36.66	Spread Off
1	1	1	0	1	0	0	183.34	73.34	73.33	36.66	Spread Off
1	1	1	0	1	0	1	183.34	110.00	73.33	36.66	Spread Off
1	1	1	0	1	1	0	183.34	146.66	73.33	36.66	Spread Off
1	1	1	0	1	1	1	183.34	183.34	73.33	36.66	Spread Off
1	1	1	1	0	0	0	222.20	74.07	74.07	37.03	Spread Off
1	1	1	1	0	0	1	222.20	111.10	74.07	37.03	Spread Off
1	1	1	1	0	1	0	222.20	148.13	74.07	37.03	Spread Off
1	1	1	1	0	1	1	222.20	185.17	74.07	37.03	Spread Off
1	1	1	1	1	0	0	242.00	80.67	80.67	40.33	Spread Off
1	1	1	1	1	0	1	242.00	121.00	80.67	40.33	Spread Off
1	1	1	1	1	1	0	242.00	161.33	80.67	40.33	Spread Off
1	1	1	1	1	1	1	242.00	201.67	80.67	40.33	Spread Off



I²C Table: Function Control Register

Byte 0		Pin #	Name	Control Function	Type	0	1	PWD
Bit 7	-		PDEN	PD# Enable	RW	Disable	Enable	1
Bit 6	26		PCICLK7	Output Control	RW	Disable	Enable	1
Bit 5	-		WDS_EN	WD Soft Enable	RW	Disable	Enable	1
Bit 4	25		PCICLK6	Output Control	RW	Disable	Enable	1
Bit 3	-		AFS1	Async Rom SEL_1	RW	See Table 3: Async Z-CLK Frequency Selection Table		0
Bit 2	-		AFS0	Async Rom SEL_0	RW			0
Bit 1	-		AEN1	Zclk/Agp/Pci Freq Source Select Control	RW	See Table 4 : ZCLK, AGP & PCI Frequency Source Decode Table		0
Bit 0	-		AEN0		RW			0

Table 3: Asynchronous ZCLK Frequency Selection Table

Byte0 Bit3	Byte0 Bit2	ZCLK Frequency
0	0	64.01
0	1	72.01
1	0	82.30
1	1	144.02

Table 4: ZCLK, AGP & PCI Frequency Source Decode Table

Byte0 Bit1	Byte0 Bit0	ZCLK & AGP & PCI
0	0	See Table 1, QuadRom Frequency Table
0	1	N-Programming for AGP/PCI/ZCLK
1	0	See Table 1 for AGP/PCI, Table 3 for ZCLK
1	1	N-Programming for AGP/PCI, Table 3 for ZCLK

I²C Table: Async N-Programming Frequency Select Register

Byte 1		Pin #	Name	Control Function	Type	0	1	PWD
Bit 7	-		N PLL3 Div7	The decimal representation of N PLL2 Div (7:0) + 8 is equal to VCO divider value for PLL2. Default at power up = 66.67MHz	RW	-	-	0
Bit 6	-		N PLL3 Div6		RW	-	-	1
Bit 5	-		N PLL3 Div5		RW	-	-	0
Bit 4	-		N PLL3 Div4		RW	-	-	0
Bit 3	-		N PLL3 Div3		RW	-	-	0
Bit 2	-		N PLL3 Div2		RW	-	-	1
Bit 1	-		N PLL3 Div1		RW	-	-	1
Bit 0	-		N PLL3 Div0		RW	-	-	1

I²C Table: Reserved Register

Byte 2		Pin #	Name	Control Function	Type	0	1	PWD
Bit 7	-		Reserved	Reserved	RW	-	-	1
Bit 6	-		Reserved	Reserved	RW	-	-	1
Bit 5	-		Reserved	Reserved	RW	-	-	1
Bit 4	-		Reserved	Reserved	RW	-	-	1
Bit 3	-		Reserved	Reserved	RW	-	-	1
Bit 2	-		Reserved	Reserved	RW	-	-	1
Bit 1	-		Reserved	Reserved	RW	-	-	1
Bit 0	-		Reserved	Reserved	RW	-	-	1



I²C Table: Reserved Register

Byte 3		Pin #	Name	Control Function	Type	0	1	PWD
Bit 7	-		Reserved	Reserved	RW	-	-	1
Bit 6	-		Reserved	Reserved	RW	-	-	1
Bit 5	-		Reserved	Reserved	RW	-	-	1
Bit 4	-		Reserved	Reserved	RW	-	-	1
Bit 3	-		Reserved	Reserved	RW	-	-	1
Bit 2	-		Reserved	Reserved	RW	-	-	1
Bit 1	-		Reserved	Reserved	RW	-	-	1
Bit 0	-		Reserved	Reserved	RW	-	-	1

I²C Table: Frequency Select Register

Byte 4		Pin #	Name	Control Function	Type	0	1	PWD
Bit 7	-		FS3	Freq Select Bit 7	RW	See Table1 : Quad Rom Frequency Selection Table		0
Bit 6	-		FS2	Freq Select Bit 6	RW			0
Bit 5	-		FS1	Freq Select Bit 5	RW			0
Bit 4	-		FS0	Freq Select Bit 4	RW			0
Bit 3	-		FS Source	Frequency HW/IIC Select	RW	Latch Input	IIC	0
Bit 2	-		FS4	Freq Select Bit 2	RW	See Table1		0
Bit 1	-		SS_EN	Spread Enable	RW	OFF	ON	1
Bit 0	-		Outputs	Output Control	RW	Running	Tri-state	0

I²C Table: Read Back Register

Byte 5		Pin #	Name	Control Function	Type	0	1	PWD
Bit 7	-		WDHRB	WD Hard Alarm Status Read back	R	Normal	Alarm	X
Bit 6	-		WDSRB	WD Soft Alarm Status Read back	R	Normal	Alarm	X
Bit 5	-		MULTISEL	Multisel Read back	R	-	-	X
Bit 4	-		FS4RB	FS4 Read back	R	-	-	X
Bit 3	-		FS3RB	FS3 Read back	R	-	-	X
Bit 2	-		FS2RB	FS2 Read back	R	-	-	X
Bit 1	-		FS1RB	FS1 Read back	R	-	-	X
Bit 0	-		FS0RB	FS0 Read back	R	-	-	X

I²C Table: Output Control Register

Byte 6		Pin #	Name	Control Function	Type	0	1	PWD
Bit 7		10	ZCLK_1	Output Control	RW	Disable	Enable	1
Bit 6		9	ZCLK_0	Output Control	RW	Disable	Enable	1
Bit 5		13	PCICLK_F0	PCI_STOP# Control	RW	Stop Disable	Stop Enable	0
Bit 4		14	PCICLK_F1	PCI_STOP# Control	RW	Stop Disable	Stop Enable	0
Bit 3		42, 41	CPUCLK8T0/C0	CPU_STOP# Control	RW	Stop Disable	Stop Enable	1
Bit 2		46, 45	CPUCLK8T1/C1	CPU_STOP# Control	RW	Stop Disable	Stop Enable	1
Bit 1		42, 41	CPUCLK8T0/C0	Output Control	RW	Disable	Enable	1
Bit 0		46, 45	CPUCLK8T1/C1	Output Control	RW	Disable	Enable	1



I²C Table: Output Control Register

Byte 7		Pin #	Name	Control Function	Type	0	1	PWD
Bit 7		14	PCICLK_F1	Output Control	RW	Disable	Enable	1
Bit 6		13	PCICLK_F0	Output Control	RW	Disable	Enable	1
Bit 5		22	PCICLK5	Output Control	RW	Disable	Enable	1
Bit 4		21	PCICLK4	Output Control	RW	Disable	Enable	1
Bit 3		20	PCICLK3	Output Control	RW	Disable	Enable	1
Bit 2		19	PCICLK2	Output Control	RW	Disable	Enable	1
Bit 1		18	PCICLK1	Output Control	RW	Disable	Enable	1
Bit 0		17	PCICLK0	Output Control	RW	Disable	Enable	1

I²C Table: Byte Count Register

Byte 8		Pin #	Name	Control Function	Type	0	1	PWD
Bit 7		-	BC7	Writing to this register will configure how many bytes will be read back, default is 0F = 15 bytes.	RW	-	-	0
Bit 6		-	BC6		RW	-	-	0
Bit 5		-	BC5		RW	-	-	0
Bit 4		-	BC4		RW	-	-	0
Bit 3		-	BC3		RW	-	-	1
Bit 2		-	BC2		RW	-	-	1
Bit 1		-	BC1		RW	-	-	1
Bit 0		-	BC0		RW	-	-	1

I²C Table: Watchdog Timer Register

Byte 9		Pin #	Name	Control Function	Type	0	1	PWD
Bit 7		-	WD7	These bits represent X*290ms the watchdog timer will wait before it goes to alarm mode. Default is 16 X 290ms =4.64 seconds	RW	-	-	0
Bit 6		-	WD6		RW	-	-	0
Bit 5		-	WD5		RW	-	-	0
Bit 4		-	WD4		RW	-	-	1
Bit 3		-	WD3		RW	-	-	0
Bit 2		-	WD2		RW	-	-	0
Bit 1		-	WD1		RW	-	-	0
Bit 0		-	WD0		RW	-	-	0

I²C Table: VCO Control Select Bit & WD Timer Control Register

Byte 10		Pin #	Name	Control Function	Type	0	1	PWD
Bit 7		-	M/NEN	M/N Programming Enable	RW	Disable	Enable	0
Bit 6		-	WDEN	Watchdog Enable	R	Disable	Enable	0
Bit 5		-	Reserved	Reserved	RW	-	-	0
Bit 4		-	WD SF4	Writing to these bit will configure the safe frequency as Byte4bit 2, (7:4), Byte 24bit(6:5)	RW	-	-	0
Bit 3		-	WD SF3		RW	-	-	0
Bit 2		-	WD SF2		RW	-	-	0
Bit 1		-	WD SF1		RW	-	-	0
Bit 0		-	WD SF0		RW	-	-	1



I²C Table: VCO Frequency Control Register

Byte 11		Pin #	Name	Control Function	Type	0	1	PWD
Bit 7	-		N Div8	N Divider Bit 8	RW	-	-	X
Bit 6	-		M Div6	The decimal representation of M Div (6:0) + 2 is equal to reference divider value. Default at power up = latch-in or Byte 0 Rom table.	RW	-	-	X
Bit 5	-		M Div5		RW	-	-	X
Bit 4	-		M Div4		RW	-	-	X
Bit 3	-		M Div3		RW	-	-	X
Bit 2	-		M Div2		RW	-	-	X
Bit 1	-		M Div1		RW	-	-	X
Bit 0	-		M Div0		RW	-	-	X

I²C Table: VCO Frequency Control Register

Byte 12		Pin #	Name	Control Function	Type	0	1	PWD
Bit 7	-		N Div7	The decimal representation of N Div (8:0) + 8 is equal to VCO divider value. Default at power up = latch-in or Byte 0 Rom table.	RW	-	-	X
Bit 6	-		N Div6		RW	-	-	X
Bit 5	-		N Div5		RW	-	-	X
Bit 4	-		N Div4		RW	-	-	X
Bit 3	-		N Div3		RW	-	-	X
Bit 2	-		N Div2		RW	-	-	X
Bit 1	-		N Div1		RW	-	-	X
Bit 0	-		N Div0		RW	-	-	X

I²C Table: Spread Spectrum Control Register

Byte 13		Pin #	Name	Control Function	Type	0	1	PWD
Bit 7	-		SSP7	These Spread Spectrum bits will program the spread percentage. It is recommended to use ICS Spread % table for spread programming.	RW	-	-	X
Bit 6	-		SSP6		RW	-	-	X
Bit 5	-		SSP5		RW	-	-	X
Bit 4	-		SSP4		RW	-	-	X
Bit 3	-		SSP3		RW	-	-	X
Bit 2	-		SSP2		RW	-	-	X
Bit 1	-		SSP1		RW	-	-	X
Bit 0	-		SSP0		RW	-	-	X

I²C Table: Spread Spectrum Control Register

Byte 14		Pin #	Name	Control Function	Type	0	1	PWD
Bit 7	-		Reserved	Reserved	R	-	-	0
Bit 6	-		Reserved	Reserved	R	-	-	0
Bit 5	-		SSP13	It is recommended to use ICS Spread % table for spread programming.	RW	-	-	X
Bit 4	-		SSP12		RW	-	-	X
Bit 3	-		SSP11		RW	-	-	X
Bit 2	-		SSP10		RW	-	-	X
Bit 1	-		SSP9		RW	-	-	X
Bit 0	-		SSP8		RW	-	-	X



I²C Table: Output Divider Control Register

Byte 15		Pin #	Name	Control Function	Type	0	1	PWD
Bit 7	-		Reserved	Reserved	RW	-	-	X
Bit 6	-		Reserved	Reserved	RW	-	-	X
Bit 5	-		Reserved	Reserved	RW	-	-	X
Bit 4	-		Reserved	Reserved	RW	-	-	X
Bit 3	-		CPU Div3	CPU divider ratio can be configured via these 4 bits individually.	RW	See Table 5: Divider Ratio Combination Table		X
Bit 2	-		CPU Div2		RW			X
Bit 1	-		CPU Div1		RW			X
Bit 0	-		CPU Div0		RW			X

Table 5: CPU Divider Ratio Combination Table

Divider (1:0)	Divider (3:2)								
	Bit	00	01	10	11	MSB			
			1	2	4	8			
	00	0000	2	0100	4	1000	8	1100	16
	01	0001	3	0101	6	1001	12	1101	24
	10	0010	5	0110	10	1010	20	1110	40
11	0011	7	0111	14	1011	28	1111	56	
LSB	Address	Div	Address	Div	Address	Div	Address	Div	

I²C Table: Output Divider Control Register

Byte 16		Pin #	Name	Control Function	Type	0	1	PWD
Bit 7	-		Reserved	Reserved	RW	-	-	X
Bit 6	-		Reserved	Reserved	RW	-	-	X
Bit 5	-		Reserved	Reserved	RW	-	-	X
Bit 4	-		Reserved	Reserved	RW	-	-	X
Bit 3	-		Reserved	Reserved	RW	-	-	X
Bit 2	-		Reserved	Reserved	RW	-	-	X
Bit 1	-		Reserved	Reserved	RW	-	-	X
Bit 0	-		Reserved	Reserved	RW	-	-	X

I²C Table: Output Divider Control Register

Byte 17		Pin #	Name	Control Function	Type	0	1	PWD
Bit 7	-		Reserved	Reserved	RW	-	-	X
Bit 6	-		Reserved	Reserved	RW	-	-	X
Bit 5	-		Reserved	Reserved	RW	-	-	X
Bit 4	-		CPUINV	CPU Phase Invert	RW	Default	Inverse	X
Bit 3	-		Reserved	Reserved	RW	-	-	X
Bit 2	-		Reserved	Reserved	RW	-	-	X
Bit 1	-		Reserved	Reserved	RW	-	-	X
Bit 0	-		Reserved	Reserved	RW	-	-	X



I²C Table: Group Skew Control Register

Byte 18		Pin #	Name	Control Function	Type	0	1	PWD
Bit 7	-	-	Reserved	Reserved	RW	-	-	X
Bit 6	-	-	Reserved	Reserved	RW	-	-	X
Bit 5	-	-	Reserved	Reserved	RW	-	-	X
Bit 4	-	-	Reserved	Reserved	RW	-	-	X
Bit 3	-	-	Reserved	Reserved	RW	-	-	X
Bit 2	-	-	Reserved	Reserved	RW	-	-	X
Bit 1	-	-	Reserved	Reserved	RW	-	-	X
Bit 0	-	-	Reserved	Reserved	RW	-	-	X

I²C Table: Group Skew Control Register

Byte 19		Pin #	Name	Control Function	Type	0	1	PWD
Bit 7	-	-	ZCLKSkw1	CPU-ZCLK Skew Control	RW	See Table 6: 4-Steps Skew Programming Table		0
Bit 6	-	-	ZCLKSkw0		RW			0
Bit 5	-	-	Reserved	Reserved	RW	-	-	0
Bit 4	-	-	Reserved	Reserved	RW	-	-	0
Bit 3	-	-	AGPSkw1	CPU-AGP Skew Control	RW	See Table 6: 4-Steps Skew Programming Table		0
Bit 2	-	-	AGPSkw0		RW			0
Bit 1	-	-	Reserved	Reserved	RW	-	-	0
Bit 0	-	-	Reserved	Reserved	RW	-	-	0

I²C Table: Group Skew Control Register

Byte 20		Pin #	Name	Control Function	Type	0	1	PWD
Bit 7	-	-	PCI_FSkw1	CPU-PCI_F Skew Control	RW	See Table 6: 4-Steps Skew Programming Table		0
Bit 6	-	-	PCI_FSkw0		RW			0
Bit 5	-	-	Reserved	Reserved	RW	-	-	0
Bit 4	-	-	Reserved	Reserved	RW	-	-	0
Bit 3	-	-	PCISkw1	CPU-PCI Skew Control	RW	See Table 6: 4-Steps Skew Programming Table		0
Bit 2	-	-	PCISkw0		RW			0
Bit 1	-	-	Reserved	Reserved	RW	-	-	0
Bit 0	-	-	Reserved	Reserved	RW	-	-	0

Table 6: 4-Steps Skew Programming Table

4 Step	0	1	LSB
0	0ps	250ps	-
1	500ps	750ps	-
MSB	-	-	-



I²C Table: Slew Rate Control Register

Byte 21		Pin #	Name	Control Function	Type	0	1	PWD
Bit 7	-		24/48Slw1	24/48 Slew Rate Control	RW	-	-	0
Bit 6	-		24/48Slw0		RW	-	-	0
Bit 5	-		AGPSlw1	AGP Slew Rate Control	RW	-	-	0
Bit 4	-		AGPSlw0		RW	-	-	0
Bit 3	-		ZCLKSlw1	ZCLK Slew Rate Control	RW	-	-	0
Bit 2	-		ZCLKSlw0		RW	-	-	0
Bit 1	-		REFSlw1	REF Slew Rate Control	RW	-	-	0
Bit 0	-		REFSlw0		RW	-	-	0

I²C Table: Slew Rate Control Register

Byte 22		Pin #	Name	Control Function	Type	0	1	PWD
Bit 7	-		SDSlw1	SD Slew Rate Control	RW	-	-	0
Bit 6	-		SDSlw0		RW	-	-	0
Bit 5		34	AGPCLK1	Output Control	RW	Disable	Enable	1
Bit 4		35	AGPCLK0	Output Control	RW	Disable	Enable	1
Bit 3	-		PCI_FSlw1	PCI_F Slew Rate Control	RW	-	-	0
Bit 2	-		PCI_FSlw0		RW	-	-	0
Bit 1	-		PCISlw1	PCI Slew Rate Control	RW	-	-	0
Bit 0	-		PCISlw0		RW	-	-	0

I²C Table: Output Control Register

Byte 23		Pin #	Name	Control Function	Type	0	1	PWD
Bit 7	-		Reserved	Reserved	RW	-	-	0
Bit 6	-		SEL24_48	24MHz or 48MHz	RW	48MHz	24MHz	1
Bit 5	-		Reserved	Reserved	RW	-	-	1
Bit 4		30	48MHz	Output Control	RW	Disable	Enable	1
Bit 3		29	24_48MHz	Output Control	RW	Disable	Enable	1
Bit 2		4	REF2	Output Control	RW	Disable	Enable	1
Bit 1		3	REF1	Output Control	RW	Disable	Enable	1
Bit 0		2	REF0	Output Control	RW	Disable	Enable	1

I²C Table: Reserved Register

Byte 24		Pin #	Name	Control Function	Type	0	1	PWD
Bit 7	-		Reserved	Reserved	RW	-	-	0
Bit 6	-		FS6	Freq Select bit 6	RW	See Table 1		0
Bit 5	-		FS5	Freq Select bit 5	RW			0
Bit 4	-		Reserved	Reserved	RW	-	-	0
Bit 3	-		Reserved	Reserved	RW	-	-	0
Bit 2	-		SS_SEL	SS Scheme Select1	RW	See Table 2: Spread Spectrum Selection Table		0
Bit 1	-		SS_SEL	SS Scheme Select1	RW			0
Bit 0	-		Reserved	Reserved	RW	-	-	0



Table2: Spread Spectrum Select Table

SS1 (Byte 24 bit 2)	SS0 (Byte 24 bit 1)	For Spreadable Frequency Only
0	0	0.35%
0	1	0.50%
1	0	0.75%
1	1	2.50%

Absolute Maximum Ratings

Core Supply Voltage	4.6 V
I/O Supply Voltage	3.6V
Logic Inputs	GND -0.5 V to V _{DD} +0.5 V
Ambient Operating Temperature	0°C to +70°C
Storage Temperature	-65°C to +150°C
Case Temperature	115°C

Stresses above those listed under *Absolute Maximum Ratings* may cause permanent damage to the device. These ratings are stress specifications only and functional operation of the device at these or any other conditions above those listed in the operational sections of the specifications is not implied. Exposure to absolute maximum rating conditions for extended periods may affect product reliability.

Electrical Characteristics - Input/Supply/Common Output Parameters

T_A = 0 - 70°C; Supply Voltage V_{DD} = 3.3 V +/-5% (unless otherwise stated)

PARAMETER	SYMBOL	CONDITIONS	MIN	TYP	MAX	UNITS
Input High Voltage	V _{IH}		2		V _{DD} + 0.3	V
Input Low Voltage	V _{IL}		V _{SS} - 0.3		0.8	V
Input High Current	I _{IH}	V _{IN} = V _{DD}			5	mA
Input Low Current	I _{IL1}	V _{IN} = 0 V; Inputs with no pull-up resistors	-5			mA
Input Low Current	I _{IL2}	V _{IN} = 0 V; Inputs with pull-up resistors	-200			mA
Operating Supply Current	I _{DD(op)}	C _L = 0 pF; Select @ 100MHz			180	mA
Power Down Supply Current	I _{DDPD}	C _L = 0 pF; With input address to V _{DD} or GND			40	mA
Input frequency	F _i	V _{DD} = 3.3 V;	11		16	MHz
Input Capacitance ¹	C _{IN}	Logic Inputs			5	pF
	C _{INX}	X1 & X2 pins	27		45	pF
Transition Time ¹	T _{trans}	To 1st crossing of target Freq.			3	ms
Clk Stabilization ¹	T _{STAB}	From V _{DD} = 3.3 V to 1% target Freq.			3	ms
Skew ¹	T _{CPU-PCI}	V _T = 1.5 V	1.5		4	ns

¹Guaranteed by design, not 100% tested in production.

Electrical Characteristics - ZCLK
 $T_A = 0 - 70^\circ\text{C}$; $V_{DD} = 3.3\text{V} \pm 5\%$; $C_L = 10\text{-}30\text{ pF}$ (unless otherwise specified)

PARAMETER	SYMBOL	CONDITIONS	MIN	TYP	MAX	UNITS
Output Frequency	F_{O1}					MHz
Output Impedance	R_{DSP1}^1	$V_O = V_{DD} \cdot (0.5)$	12		55	Ω
Output High Voltage	V_{OH}^1	$I_{OH} = -1\text{ mA}$	2.4			V
Output Low Voltage	V_{OL}^1	$I_{OL} = 1\text{ mA}$			0.55	V
Output High Current	I_{OH}^1	$V_{OH@MIN} = 1.0\text{ V}$, $V_{OH@MAX} = 3.135\text{ V}$	-33		-33	mA
Output Low Current	I_{OL}^1	$V_{OL@MIN} = 1.95\text{ V}$, $V_{OL@MAX} = 0.4\text{ V}$	30		38	mA
Rise Time	t_{r1}^1	$V_{OL} = 0.4\text{ V}$, $V_{OH} = 2.4\text{ V}$	0.5		2	ns
Fall Time	t_{f1}^1	$V_{OH} = 2.4\text{ V}$, $V_{OL} = 0.4\text{ V}$	0.5		2	ns
Duty Cycle	d_{t1}^1	$V_T = 1.5\text{ V}$	45		55	%
Skew	t_{sk1}^1	$V_T = 1.5\text{ V}$			250	ps
Jitter	$t_{jcy-cyc}^1$	$V_T = 1.5\text{ V}$ 3V66			250	ps

Electrical Characteristics - AGPCLK, ZCLK
 $T_A = 0 - 70^\circ\text{C}$; $V_{DD} = 3.3\text{V} \pm 5\%$; $C_L = 10\text{-}30\text{ pF}$ (unless otherwise specified)

PARAMETER	SYMBOL	CONDITIONS	MIN	TYP	MAX	UNITS
Output Frequency	F_{O1}					MHz
Output Impedance	R_{DSP1}^1	$V_O = V_{DD} \cdot (0.5)$	12		55	Ω
Output High Voltage	V_{OH}^1	$I_{OH} = -1\text{ mA}$	2.4			V
Output Low Voltage	V_{OL}^1	$I_{OL} = 1\text{ mA}$			0.55	V
Output High Current	I_{OH}^1	$V_{OH@MIN} = 1.0\text{ V}$, $V_{OH@MAX} = 3.135\text{ V}$	-33		-33	mA
Output Low Current	I_{OL}^1	$V_{OL@MIN} = 1.95\text{ V}$, $V_{OL@MAX} = 0.4\text{ V}$	30		38	mA
Rise Time	t_{r1}^1	$V_{OL} = 0.4\text{ V}$, $V_{OH} = 2.4\text{ V}$	0.5		2	ns
Fall Time	t_{f1}^1	$V_{OH} = 2.4\text{ V}$, $V_{OL} = 0.4\text{ V}$	0.5		2	ns
Duty Cycle	d_{t1}^1	$V_T = 1.5\text{ V}$	45		55	%
Skew	t_{sk1}^1	$V_T = 1.5\text{ V}$			250	ps
Jitter	$t_{jcy-cyc}^1$	$V_T = 1.5\text{ V}$ 3V66			250	ps

Electrical Characteristics - PCICLK
 $T_A = 0 - 70^\circ\text{C}$; $V_{DD} = 3.3\text{ V} \pm 5\%$; $C_L = 30\text{ pF}$

PARAMETER	SYMBOL	CONDITIONS	MIN	TYP	MAX	UNITS
Output High Voltage	V_{OH1}	$I_{OH} = -18\text{ mA}$	2.1			V
Output Low Voltage	V_{OL1}	$I_{OL} = 9.4\text{ mA}$			0.4	V
Output High Current	I_{OH1}	$V_{OH} = 2.0\text{ V}$			-22	mA
Output Low Current	I_{OL1}	$V_{OL} = 0.8\text{ V}$	16		57	mA
Rise Time ¹	t_{r1}	$V_{OL} = 0.4\text{ V}$, $V_{OH} = 2.4\text{ V}$			2	ns
Fall Time ¹	t_{f1}	$V_{OH} = 2.4\text{ V}$, $V_{OL} = 0.4\text{ V}$			2	ns
Duty Cycle ¹	d_{t1}	$V_T = 1.5\text{ V}$	45		55	%
Skew ¹	t_{sk1}	$V_T = 1.5\text{ V}$			500	ps
Jitter	$t_{jcy-cyc}^1$	$V_T = 1.5\text{ V}$			500	ps
	t_{jabs1}	$V_T = 1.5\text{ V}$			500	ps

¹Guaranteed by design, not 100% tested in production.

Electrical Characteristics - 48MHz, 24_48MHz

$T_A = 0 - 70^\circ\text{C}$; $V_{DD} = 3.3\text{V} \pm 5\%$; $C_L = 10\text{-}20\text{ pF}$ (unless otherwise specified)

PARAMETER	SYMBOL	CONDITIONS	MIN	TYP	MAX	UNITS
Output Impedance	R_{DSP1}^1	$V_O = V_{DD} \cdot (0.5)$	20		60	Ω
Output High Voltage	V_{OH}^1	$I_{OH} = -1\text{ mA}$	2.4			V
Output Low Voltage	V_{OL}^1	$I_{OL} = 1\text{ mA}$			0.4	V
Output High Current	I_{OH}^1	$V_{OH@MIN} = 1.0\text{ V}$	-29			
		$V_{OH@MAX} = 3.135\text{ V}$			-23	mA
Output Low Current	I_{OL}^1	$V_{OL@MIN} = 1.95\text{ V}$	29			
		$V_{OL@MAX} = 0.4\text{ V}$			27	mA
Rise Time	t_{r1}^1	$V_{OL} = 0.4\text{ V}, V_{OH} = 2.4\text{ V}$	0.5		1	ns
Fall Time	t_{f1}^1	$V_{OH} = 2.4\text{ V}, V_{OL} = 0.4\text{ V}$	0.5		1	ns
Duty Cycle	d_{t1}^1	$V_T = 1.5\text{ V}$	45		55	%
Jitter	$t_{jyc-cyc}^1$	$V_T = 1.5\text{ V}$			350	ps

¹Guaranteed by design, not 100% tested in production.

Electrical Characteristics - REF

$T_A = 0 - 70^\circ\text{C}$; $V_{DD} = 3.3\text{ V} \pm 5\%$; $C_L = 10 - 20\text{ pF}$ (unless otherwise stated)

PARAMETER	SYMBOL	CONDITIONS	MIN	TYP	MAX	UNITS
Output High Voltage	V_{OH5}	$I_{OH} = -12\text{ mA}$	2.6			V
Output Low Voltage	V_{OL5}	$I_{OL} = 9\text{ mA}$			0.4	V
Output High Current	I_{OH5}	$V_{OH} = 2.0\text{ V}$			-22	mA
Output Low Current	I_{OL5}	$V_{OL} = 0.8\text{ V}$	16			mA
Rise Time ¹	t_{r5}	$V_{OL} = 0.4\text{ V}, V_{OH} = 2.4\text{ V}$			4	ns
Fall Time ¹	t_{f5}	$V_{OH} = 2.4\text{ V}, V_{OL} = 0.4\text{ V}$			4	ns
Duty Cycle ¹	d_{t5}	$V_T = 1.5\text{ V}$	45		55	%
Jitter ¹	$t_{jyc-cyc5}$	$V_T = 1.5\text{ V}$			1000	ps
	t_{jabs5}	$V_T = 1.5\text{ V}$			800	ps

Electrical Characteristics - CPUCLK

$T_A = 0 - 70^\circ \text{C}$; $V_{DD} = 3.3 \text{ V} \pm 5\%$; $C_L = 20 \text{ pF}$ (unless otherwise stated)

PARAMETER	SYMBOL	CONDITIONS	MIN	TYP	MAX	UNITS
Output Impedance	Z_O	$V_O = V_X$	15		55	W
Output High Voltage	V_{OH2B}		1		1.2	V
Output Low Voltage	V_{OL2B}				0.4	V
Output Low Current	I_{OL2B}	$V_{OL} = 0.3 \text{ V}$	18			mA
Rise Edge Rate ¹		Measured from 20-80%	2		7	V/ns
Fall Edge Rate ¹		Measured from 80-20%	2		7	V/ns
V_{DIFF}		Differential Voltage, Measured @ the Hammer test load (single-ended measurement)	0.4		2.3	V
DV_{DIFF}		Change in V_{DIFF_DC} magnitude, Measured @ the Hammer test load (single-ended measurement)	-150		150	mV
V_{CM}		Common Mode Voltage, Measured @ the Hammer test load (single-ended measurement)	1.05		1.45	V
DV_{CM}		Change in Common Mode Voltage, Measured @ the Hammer test load (single-ended measurement)	-200		200	mV
Duty Cycle ¹	d_{t2B}	$V_T = 50\%$	45		53	%
Jitter, Cycle-to-cycle ¹	$t_{jCyc-cyc2B}$	$V_T = V_X$	0		200	ps

Notes:

- 1 - Guaranteed by design, not 100% tested in production.
- 2 - V_{DIF} specifies the minimum input differential voltages ($V_{TR}-V_{CP}$) required for switching, where V_{TR} is the "true" input level and V_{CP} is the "complement" input level.
- 3 - $V_{pullup(external)} = 1.5V$, Min = $V_{pullup(external)}/2-150mV$; Max= $(V_{pullup(external)}/2)+150mV$

Shared Pin Operation - Input/Output Pins

The I/O pins designated by (input/output) serve as dual signal functions to the device. During initial power-up, they act as input pins. The logic level (voltage) that is present on these pins at this time is read and stored into a 5-bit internal data latch. At the end of Power-On reset, (see AC characteristics for timing values), the device changes the mode of operations for these pins to an output function. In this mode the pins produce the specified buffered clocks to external loads.

To program (load) the internal configuration register for these pins, a resistor is connected to either the VDD (logic 1) power supply or the GND (logic 0) voltage potential. A 10 Kilohm (10K) resistor is used to provide both the solid CMOS programming voltage needed during the power-up programming period and to provide an insignificant load on the output clock during the subsequent operating period.

Figure 1 shows a means of implementing this function when a switch or 2 pin header is used. With no jumper is installed the pin will be pulled high. With the jumper in place the pin will be pulled low. If programmability is not necessary, than only a single resistor is necessary. The programming resistors should be located close to the series termination resistor to minimize the current loop area. It is more important to locate the series termination resistor close to the driver than the programming resistor.

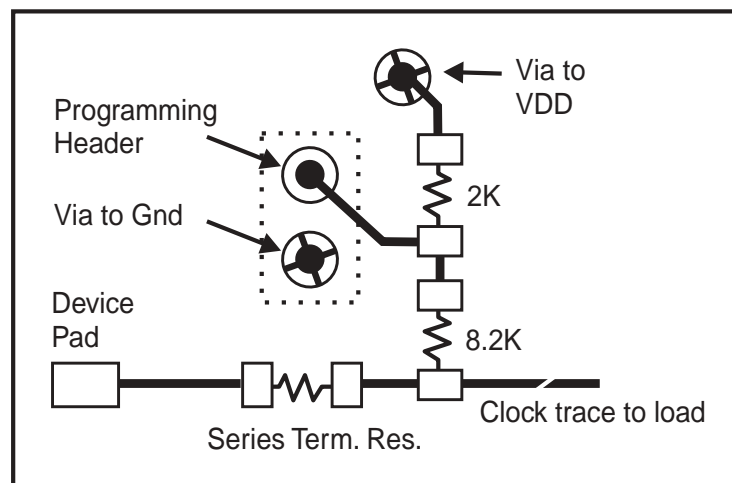
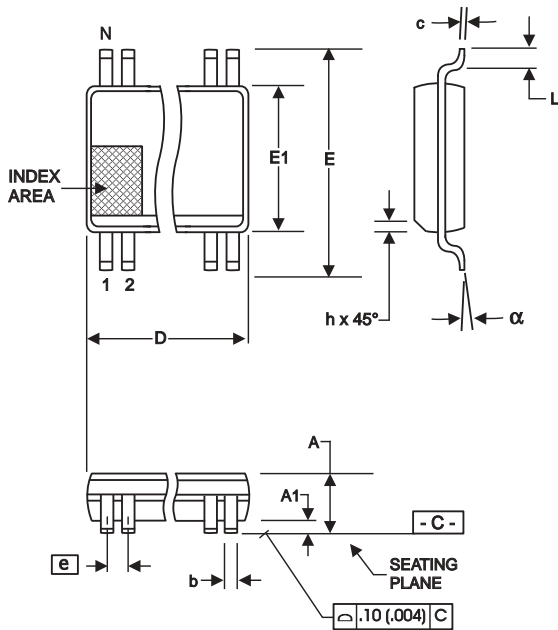


Fig. 1



SYMBOL	In Millimeters		In Inches	
	MIN	MAX	MIN	MAX
A	2.41	2.80	.095	.110
A1	0.20	0.40	.008	.016
b	0.20	0.34	.008	.0135
c	0.13	0.25	.005	.010
D	SEE VARIATIONS		SEE VARIATIONS	
E	10.03	10.68	.395	.420
E1	7.40	7.60	.291	.299
e	0.635 BASIC		0.025 BASIC	
h	0.38	0.64	.015	.025
L	0.50	1.02	.020	.040
N	SEE VARIATIONS		SEE VARIATIONS	
alpha	0°	8°	0°	8°

VARIATIONS				
N	D mm.		D (inch)	
	MIN	MAX	MIN	MAX
48	15.75	16.00	.620	.630

Reference Doc.: JEDEC Publication 95, MO-118

10-0034

Ordering Information

ICS952801yFT

Example:

ICS XXXXX y F - T

Designation for tape and reel packaging

Package Type

F = SSOP

Revision Designator (will not correlate with datasheet revision)

Device Type

Prefix

ICS = Standard Device