

Silicon NPN Power Transistors

2SD2586

DESCRIPTION

- With TO-3P(H)IS package
- High voltage ,high speed
- Low saturation voltage
- Bult-in damper type

APPLICATIONS

- Horizontal deflection output for color TV

PINNING

PIN	DESCRIPTION
1	Base
2	Collector
3	Emitter

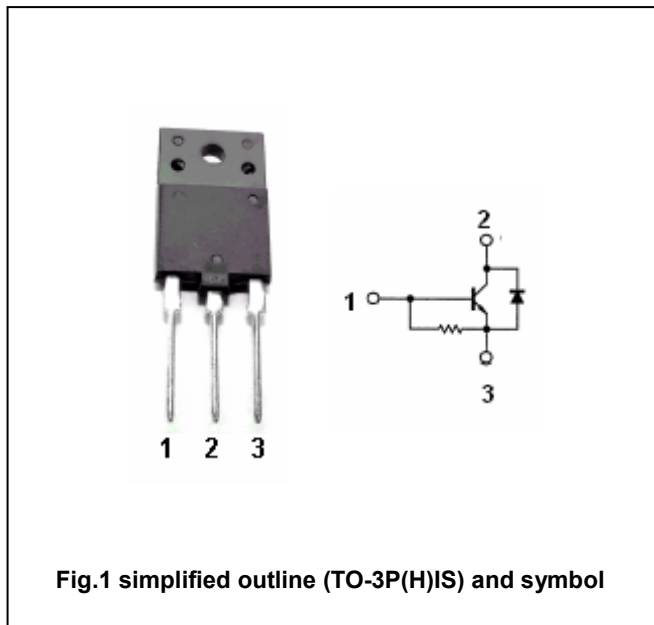


Fig.1 simplified outline (TO-3P(H)IS) and symbol

Absolute maximum ratings(Ta=25°C)

SYMBOL	PARAMETER	CONDITIONS	VALUE	UNIT
V <sub>CBO</sub>	Collector-base voltage	Open emitter	1500	V
V <sub>CEO</sub>	Collector-emitter voltage	Open base	600	V
V <sub>EBO</sub>	Emitter-base voltage	Open collector	5	V
I <sub>C</sub>	Collector current		5	A
I <sub>CM</sub>	Collector current-peak		10	A
I <sub>B</sub>	Base current		2.5	A
P <sub>C</sub>	Total power dissipation	T <sub>C</sub> =25°C	50	W
T <sub>j</sub>	Junction temperature		150	°C
T <sub>stg</sub>	Storage temperature		-55~150	°C

## Silicon NPN Power Transistors

## 2SD2586

## CHARACTERISTICS

T<sub>j</sub>=25°C unless otherwise specified

SYMBOL	PARAMETER	CONDITIONS	MIN	TYP.	MAX	UNIT
V <sub>(BR)EBO</sub>	Emitter-base breakdown voltage	I <sub>C</sub> =300mA ; I <sub>B</sub> =0	5			V
V <sub>CEsat</sub>	Collector-emitter saturation voltage	I <sub>C</sub> =3.5A; I <sub>B</sub> =0.8A			5	V
V <sub>BEsat</sub>	Base-emitter saturation voltage	I <sub>C</sub> =3.5A; I <sub>B</sub> =0.8A		0.9	1.5	V
I <sub>CBO</sub>	Collector cut-off current	V <sub>CB</sub> =1500V; I <sub>E</sub> =0			1	mA
I <sub>EBO</sub>	Emitter cut-off current	V <sub>EB</sub> =5V; I <sub>C</sub> =0	70		250	mA
h <sub>FE-1</sub>	DC current gain	I <sub>C</sub> =1A ; V <sub>CE</sub> =5V	8		28	
h <sub>FE-2</sub>	DC current gain	I <sub>C</sub> =3.5A ; V <sub>CE</sub> =5V	4.4		8.5	
V <sub>F</sub>	Diode forward voltage	I <sub>F</sub> =5A		1.5	2.0	V
C <sub>ob</sub>	Collector output capacitance	I <sub>E</sub> =0 ; V <sub>CB</sub> =10V,f=1MHz		73		pF
f <sub>T</sub>	Transition frequency	I <sub>C</sub> =0.1A ; V <sub>CE</sub> =10V		2.5		MHz

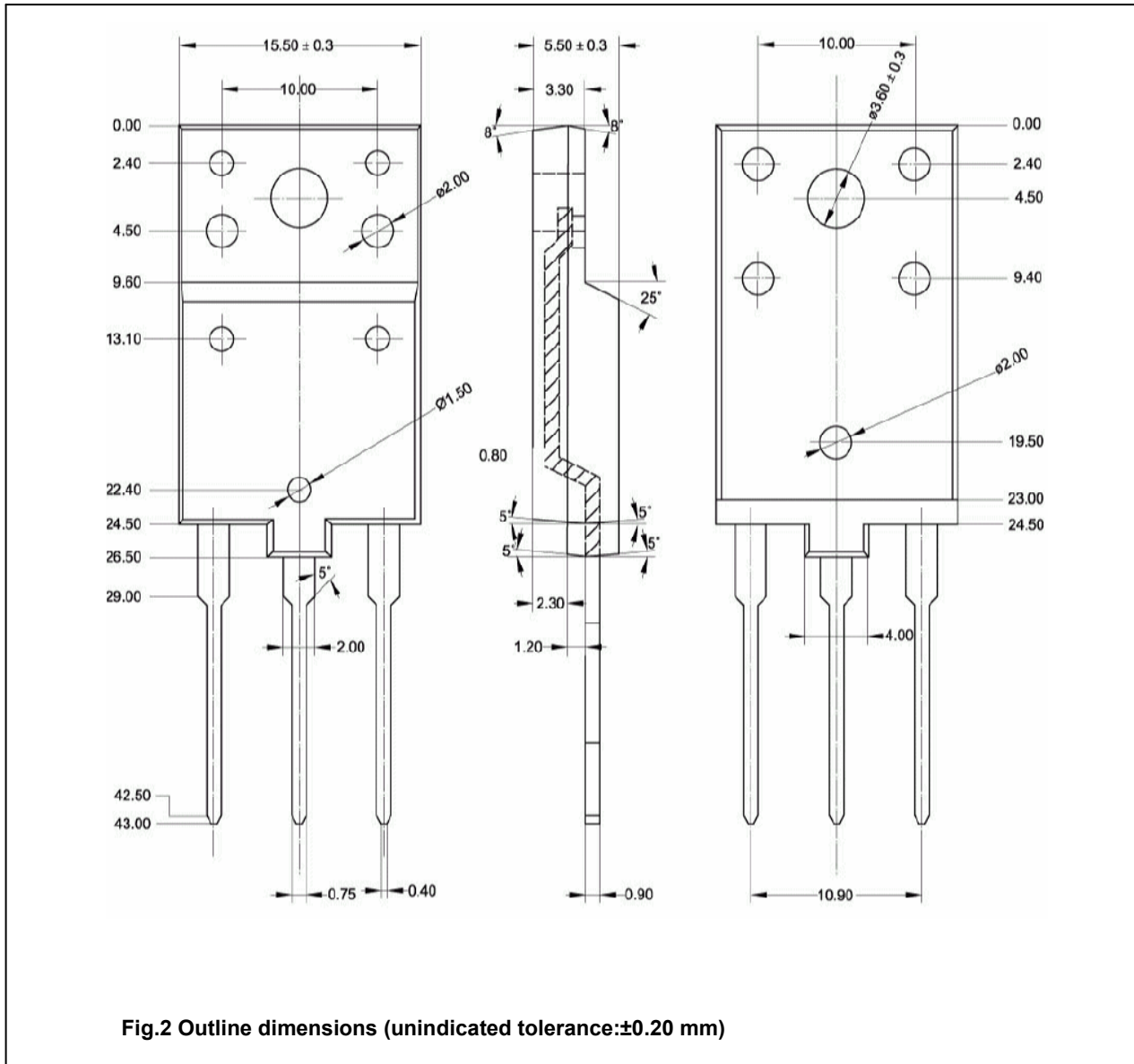
Switching times :

t <sub>s</sub>	Storage time	I <sub>CP</sub> =3.5A; I <sub>B1</sub> =0.8A f <sub>H</sub> =15.75kHz		7.5	10	μs
t <sub>f</sub>	Fall time			0.3	0.6	μs

Silicon NPN Power Transistors

2SD2586

PACKAGE OUTLINE



Silicon NPN Power Transistors

2SD2586

