

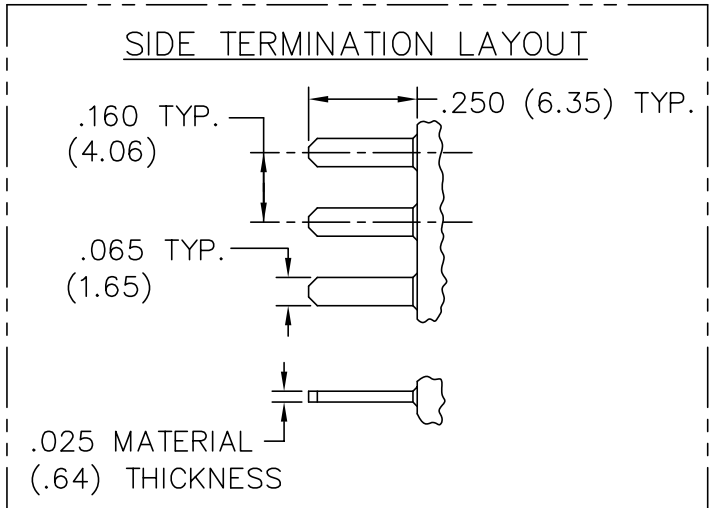
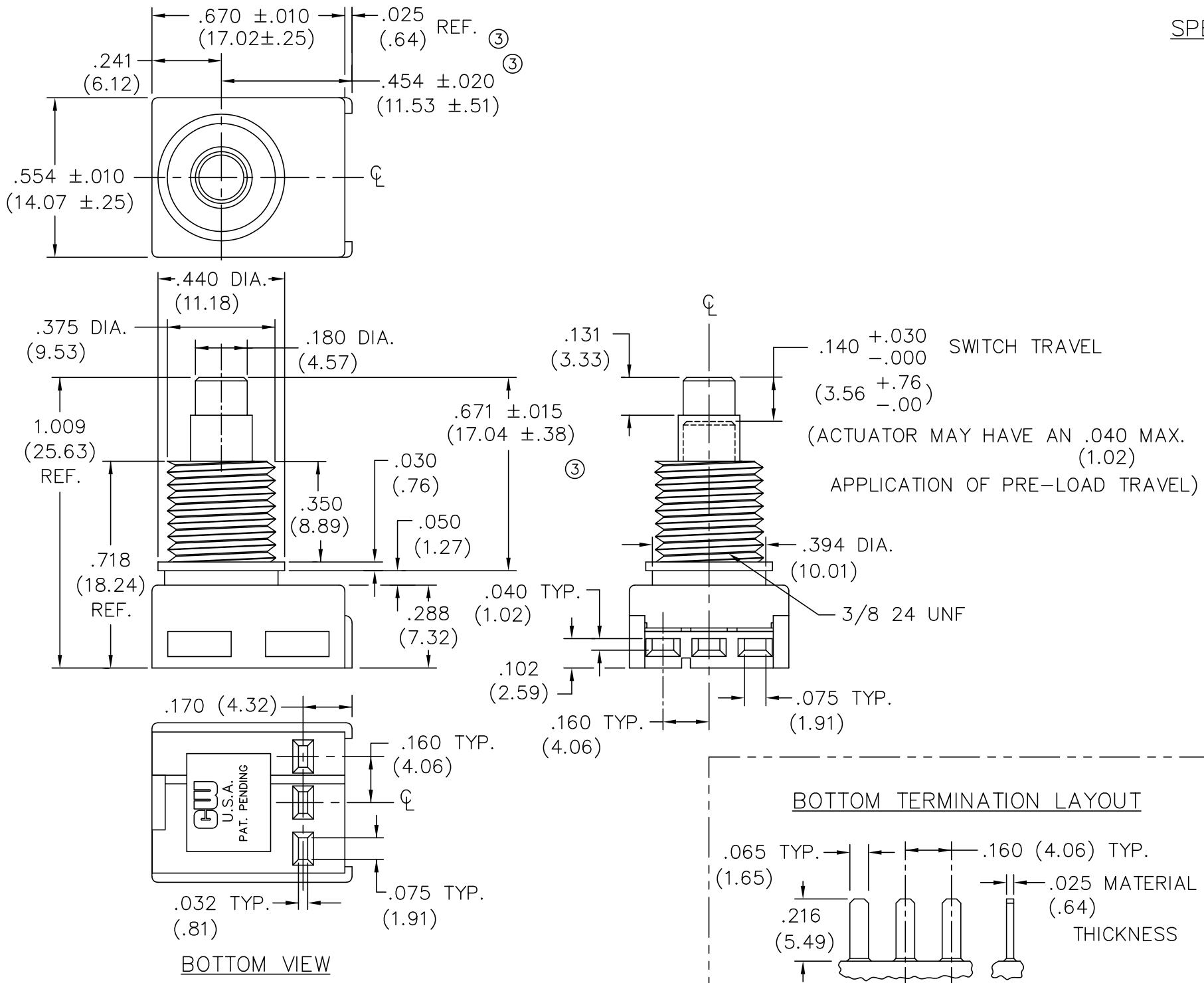
DIMENSIONS IN INCHES (MILLIMETERS)
DO NOT SCALE DRAWING


Dwg. No.
GC-536-0203

SPECIFICATIONS:

MATERIALS:

- HOUSING & BASE – Nylon and or Glass Filled
Nylon 6/6 UL 94-V2 minimum
- ACTUATOR – Nylon 6/6 UL 94-V2 minimum
- MOVING CONTACT – Copper Alloy/Phos. Bronze Silver Plated
- STATIONARY CONTACT – BeCu 174 Alloy/75µin. Silver Plated
- ELECTRICAL RATING – 1A. 125V.A.C.
3A. 14V.D.C.
- MECHANICAL PERFORMANCE – 30,000 Cycles minimum
at Rated Load.
- OPERATING FORCE – 17 – 24ozs. Typical,
4.6 – 6.6 Newtons Typical,
- VOLTAGE DROP – .030V. MAX @ .7A
- TERMINATION – Insert male tabs into switch housing
using side or bottom termination option. Refer
to termination option layout for dimensions.”



FORM-B3	REVISIONS										 <p>Southampton, Pa. 18966</p> <p>TOLERANCES UNLESS OTHERWISE SPECIFIED</p> <table border="1"> <tr> <td>2 Place Decimal ±.010</td> <td>METRIC</td> </tr> <tr> <td>3 Place Decimal ±.005</td> <td>1 Place Dec. ±.25mm</td> </tr> <tr> <td>Angles ±1°</td> <td>2 Place Dec. ±.13mm</td> </tr> </table> <p>Made for: CW IND.</p> <p>Drawn by: DGW 8-22-2001</p> <p>Checked by: CH 5-13</p> <p>Approval: CH 5-13-02</p>	2 Place Decimal ±.010	METRIC	3 Place Decimal ±.005	1 Place Dec. ±.25mm	Angles ±1°	2 Place Dec. ±.13mm
	2 Place Decimal ±.010	METRIC															
	3 Place Decimal ±.005	1 Place Dec. ±.25mm															
	Angles ±1°	2 Place Dec. ±.13mm															
	0	1	2	3	4												
RELEASED. DGW 8-22-2001 CH 8-21-01	REDRAWN. ADDED METRIC DIMENSIONS IN () & 5.5 NEWTONS TYP. WAS 20 OZ. TYP. IN OPERATING FORCE. DGW 2-15-2002 CH 2-15-2002	CHANGED OPERATING FORCES. DGW 4-05-2002 GG	REDRAWN. ADDED .454±.020, .671±.015, REF. TO .025 & REMOVED .160±.020. -.010 DGW 5-03-2002 CH 5-13-02	17-24ozs, 4.6-6.6 NEWTONS WAS 10-29ozs, 2.8-8.1 NEWTONS IN OPERATING FORCE NOTE. DGW 3-11-2003 CH 3/11/03													
<p>Division: SWITCH</p> <p>Dwg. No. GC-536-0203</p>																	
<p>Title: SWITCH ASSEMBLY PUSH ON-PUSH OFF S.P.D.T.</p>																	