

Boost Converter for Single/Double AA Cell or NiMH Battery for White LED Applications

DESCRIPTION

SiP12501 is a boost converter IC for single or double cell NiMH or Alkaline battery pack, which can drive white LEDs connected in parallel to provide backlight in hand-held devices. Designed with an internal low threshold power MOSFET, it is capable of starting up with a low battery voltage of 0.65 V. For best efficiency performance, the SiP12501 is designed to operate in PWM mode with 600 kHz switching. The voltage-mode PWM design is internally compensated, reducing the external parts count. It accepts input voltages from 0.65 V to 3.3 V, regulates output current of up to 60 mA from a 0.9 V input. The LED current can be adjusted externally for its brightness control. SiP12501 features low shutdown current of under 1 μ A, internal power MOS, thermal shutdown protection and antiringing control.

SiP12501 is available in a lead (Pb)-free 6 pin, PowerPAK MLP33 package and is specified to operate over the industrial temperature range of - 40 °C to 85 °C.

FEATURES

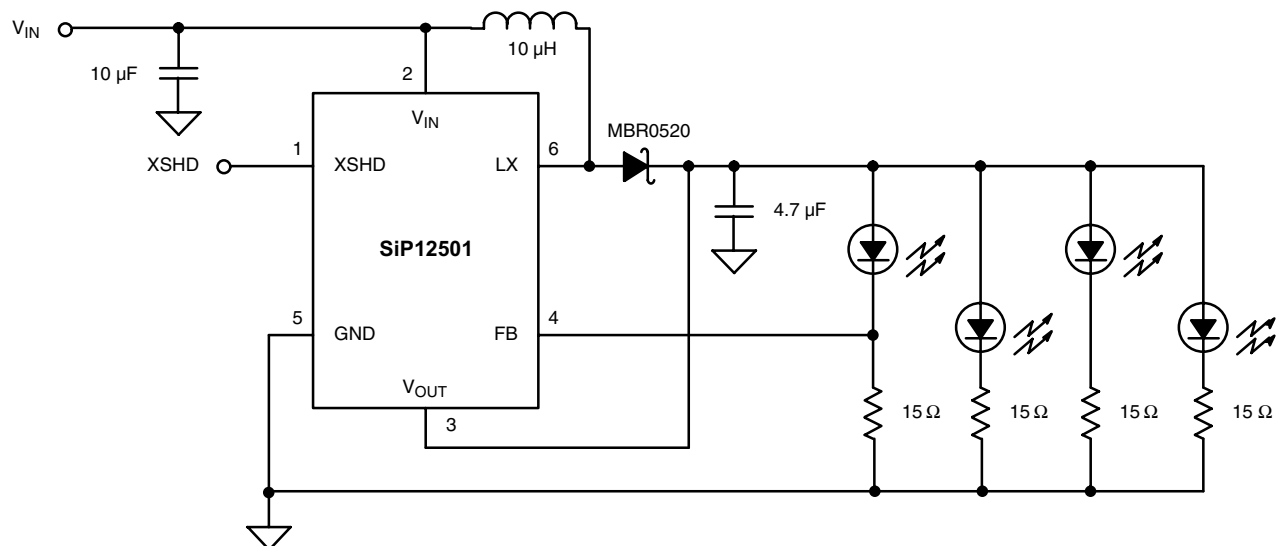
- Voltage mode control with internal frequency compensation
- 0.65 V to 3.3 V input voltage range
- Low startup voltage: 0.65 V
- PWM control with 600 kHz fixed switching frequency
- Analog control of LED intensity
- Power supply from output voltage
- Regulated output current
- Integrated UVLO and soft-start
- Logic controlled shutdown (< 1 μ A)
- High efficiency: typical 75 %
- Internal power MOS
- Antiringing switch to minimize EMI
- Thermal shutdown
- Minimum external components
- PowerPAK® MLP33-6 package



APPLICATIONS

- White LED backlighting
- Handheld devices
- Digital cameras
- Portable applications
- LCD bias supplies

TYPICAL APPLICATION CIRCUIT



| ABSOLUTE MAXIMUM RATINGS (all voltages referenced to GND = 0 V) | | | |
|--|--|--------------------------|------|
| Parameter | | Limit | Unit |
| Input Voltage, V_{IN} | | - 0.3 to 6 | V |
| LX Voltage | | - 0.3 to $V_{OUT} + 0.5$ | |
| Output Voltage, V_{OUT} | | - 0.3 to 6 | |
| XSHD Voltage | | - 0.3 to $V_{IN} + 0.5$ | |
| FB Voltage | | - 0.3 to 6 | |
| Maximum Junction Temperature | | 150 | °C |
| Storage Temperature | | - 55 to 150 | |
| Operating Junction Temperature | | 125 | |
| Power Dissipation ^a | PowerPAK MLP33-6 ($T_A = 70\text{ °C}$) ^a | 1100 | mW |
| Thermal Resistance ^b | PowerPAK MLP33-6 | 50 | °C/W |

Notes:

a. Derate 20 mW/°C above 70 °C.

b. Device mounted with all leads soldered or welded to PC board.

Stresses beyond those listed under "Absolute Maximum Ratings" may cause permanent damage to the device. These are stress ratings only, and functional operation of the device at these or any other conditions beyond those indicated in the operational sections of the specifications is not implied. Exposure to absolute maximum rating conditions for extended periods may affect device reliability.

| RECOMMENDED OPERATING RANGE (all voltages referenced to GND = 0 V) | | | |
|---|--|-------------------------------|------|
| Parameter | | Limit | Unit |
| Input Voltage, V_{IN} | | 0.65 to 3.3 | V |
| Output Voltage, V_{OUT} | | 3.5 to 5 | |
| XSHD Voltage | | 0 to V_{IN} | |
| LX Voltage | | 0 to $V_{OUT} + 0.5\text{ V}$ | |
| FB Voltage | | 0 to 5 | |
| Operating Temperature Range | | - 40 to 85 | °C |

| SPECIFICATIONS^a | | | | | | | |
|--|--------------|---|--------------------|-------------------|-------------------|-------------------|------|
| Parameter | Symbol | Test Conditions Unless Specified $V_{IN} = 1.2\text{ V}$, $V_{OUT} = 3.9\text{ V}$, $T_A = 25\text{ °C}$ | Temp. ^a | Limits | | | Unit |
| | | | | Min. ^b | Typ. ^c | Max. ^b | |
| Minimum Start-Up Voltage | V_{START} | $I_{LOAD} = 1\text{ mA}$ | Full | | 0.65 | 0.85 | V |
| Minimum Operating Voltage ^d | V_{HOLD} | XSHD = V_{IN} | Full | | 0.55 | | |
| Feedback Voltage | V_{FB} | | Full | 0.291 | 0.3 | 0.309 | |
| Feedback Input Current | I_{FB} | $V_{FB} = 0.3\text{ V}$ | | | 1 | | nA |
| Maximum PWM Duty Cycle | MAXDTY | | | 80 | 87 | | % |
| PWM Switching Frequency | f_{OSC} | | Full | 425 | 600 | 775 | kHz |
| Quiescent Current | I_Q | $V_{FB} = 0.4\text{ V}$ | Full | | 200 | 300 | µA |
| Stand-By Current | I_{STB} | XSHD = 0 V, not including switch leakage | Full | | | 1 | |
| NMOS Switch Leakage | I_{LEAK} | LX = 5 V | Full | | 1 | 2 | |
| NMOS Switch On Resistance | $R_{DS(on)}$ | $V_{OUT} = 3.3\text{ V}$ | | | 0.24 | | Ω |
| XSHD Input High Level | V_{XSHDH} | $0.8\text{ V} \leq V_{IN} \leq 0.9\text{ V}$ | Full | 0.55 | | | V |
| | | $0.9\text{ V} < V_{IN} \leq 2\text{ V}$ | Full | 0.8 | | | |
| | | $2\text{ V} < V_{IN} \leq 5\text{ V}$ | Full | 1.2 | | | |
| XSHD Input Low Level | V_{XSHDL} | | Full | | | 0.2 | |
| Thermal Shutdown | T_{SHD} | | | | 160 | | °C |
| Thermal Shutdown Hysteresis | T_{HYST} | | | | 20 | | |

Notes:

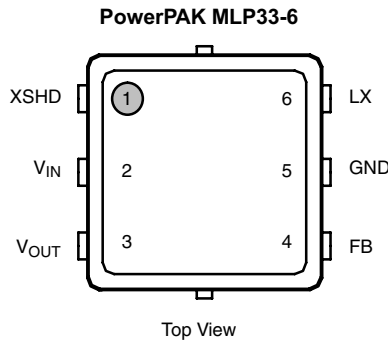
a. Full = - 40 °C to 85 °C.

b. The algebraic convention whereby the most negative value is a minimum and the most positive a maximum (- 40 °C to 85 °C).

c. Typical values are for DESIGN AID ONLY, not guaranteed nor subject to production testing.

d. Minimum Operating Voltage is determined by the battery's capability to provide energy as it is deeply discharged.

PIN CONFIGURATION AND TRUTH TABLE



| ORDERING INFORMATION | | |
|-----------------------------|-------------------|---------|
| Part Number | Temperature Range | Marking |
| SiP12501DMP-T1-E3 | - 40 °C to 85 °C | 2501 |

| PIN DESCRIPTION | | |
|------------------------|-----------|--|
| Pin Number | Name | Function |
| 1 | XSDH | Logic controlled shutdown input, XSHD = high: normal operation, XSHD = low: shutdown |
| 2 | V_{IN} | Battery input voltage |
| 3 | V_{OUT} | Output of the boost converter and power source for the IC |
| 4 | FB | Feedback pin |
| 5 | GND | Signal and power ground |
| 6 | LX | Switch pin |

PIN FUNCTIONS

XSHD (Pin 1)

XSHD is the logic controlled shutdown input pin. When XSHD is low, the IC is shutdown and an antiringing switch is connected between LX and V_{IN} . When XSHD is high, the IC is working in normal operation.

V_{IN} (Pin 2)

V_{IN} is the pin connected to battery input voltage. The IC gets its start-up bias from V_{IN} at the beginning. Once V_{OUT} exceeds V_{IN} , bias will come from V_{OUT} . Thus, once started, operation is completely independent from V_{IN} . Operation is only limited by the output voltage level and the battery's internal series resistance.

V_{OUT} (Pin 3)

V_{OUT} is the output of the boost converter and also the power source for the IC.

FB (Pin 4)

FB is the feedback voltage pin, it senses the LED current through the ballast resistor, the difference between it and the internal 0.3 V reference is amplified by the error amplifier.

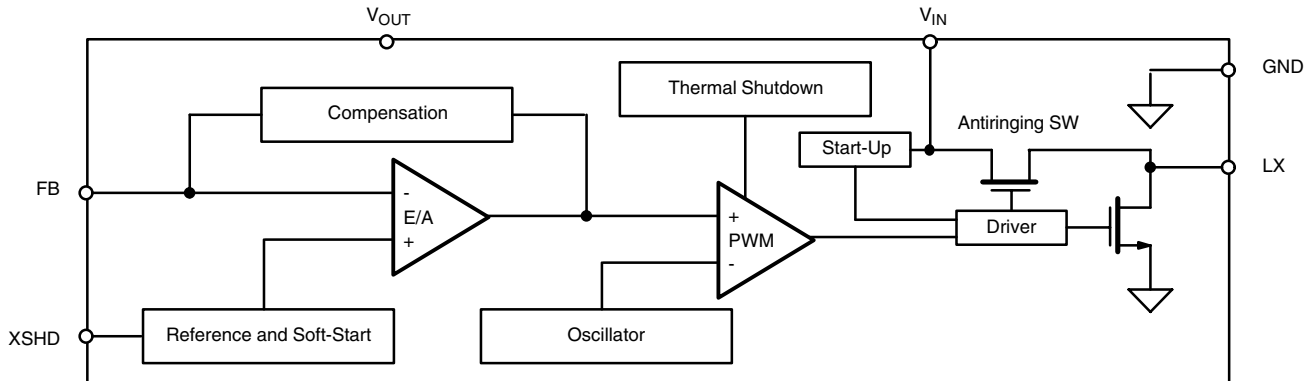
GND (Pin 5)

GND is the pin for signal and power ground.

LX (Pin 6)

LX is the pin of the drain for internal power MOS. LX is also connected to inductor and Schottky diode. If the inductor current falls to zero, or XSHD is low, an internal antiringing switch is connected from LX to V_{IN} to minimize EMI.

FUNCTIONAL BLOCK DIAGRAM



DETAILED OPERATION

SiP12501 is a 600 kHz boost converter IC, packaged in 6 pin MLP33, for white LED applications. With start-up from low battery input voltage of 0.65 V, this device features fixed frequency voltage mode PWM control with internal frequency compensation. With its low $r_{DS(on)}$ internal power MOSFET, this device maintains high efficiency over a wide range of load current.

Low Voltage Start-Up

SiP12501 is designed to start-up at input voltage of typically 0.65 V. In the beginning, V_{OUT} is lower than V_{IN} because of the voltage drop of the Schottky diode, the device uses V_{IN} as the power source for the start-up circuit and uses current limit with fixed off-time to control the increase of the output voltage. Once V_{OUT} exceeds V_{IN} , the device uses V_{OUT} as the power source. When V_{OUT} exceeds 1.89 V, the device switches to soft-start.

Soft-Start

During soft-start, the loop compensation guarantees the slow increase of the output voltage and inrush current, so that no large voltage overshoot and inrush current occur when the soft-start is ended.

PWM operation

After soft-start, the device works in PWM operation with a fixed frequency of 600 kHz.

Thermal Shutdown Protection

If the temperature of the device is above 160 °C, the device will turn off the internal power MOSFET and wait until the temperature drops below 140 °C, then the device goes into the soft-start process again and finally the system recovers. During thermal shutdown, the output voltage drops below 1.89 V minus UVLO hysteresis, start-up will be triggered to keep the output voltage above 1.89 V.

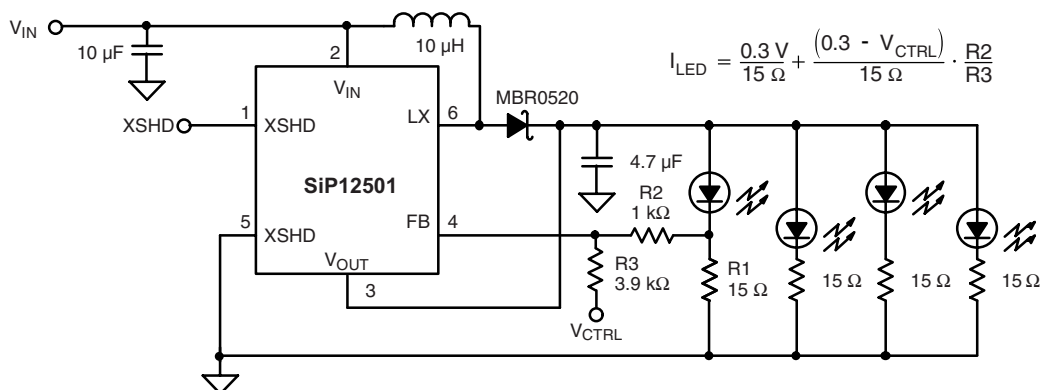
Antiringing Control

The antiringing control circuitry prevents high frequency ringing of the LX pin as the inductor current goes to zero by damping the resonant circuit formed by L and C_{LX} (capacitance on LX pin). When the IC is shutdown, this antiringing switch is also turned on.

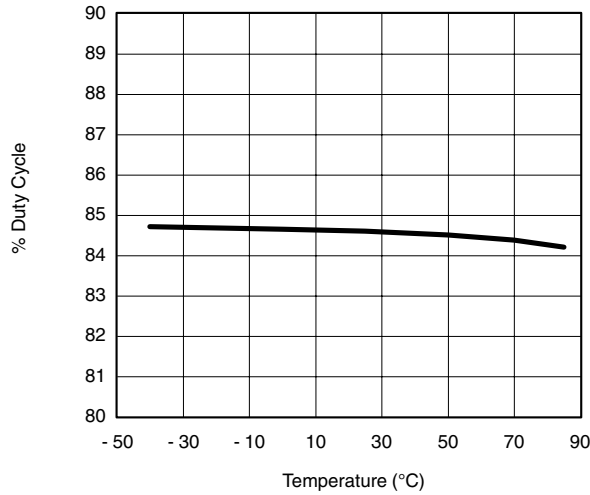
APPLICATION INFORMATION

White LED Brightness Control

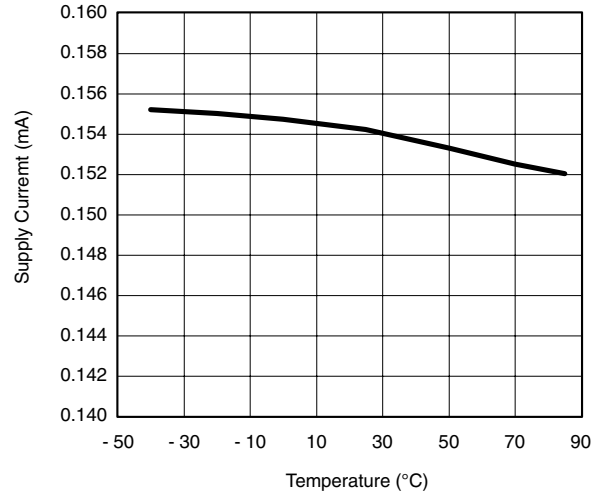
The current of white LED can be adjusted by a PWM signal on XSHD or by a variable dc voltage to control its brightness. (see Figure 1.) As control voltage V_{CTRL} increases, the voltage drop on R2 increases and the voltage drop on R1 decreases. Thus, the LED current decreases. The selection of R2 and R3 will make the current from V_{CTRL} much smaller than LED current and much larger than the FB pin bias current.



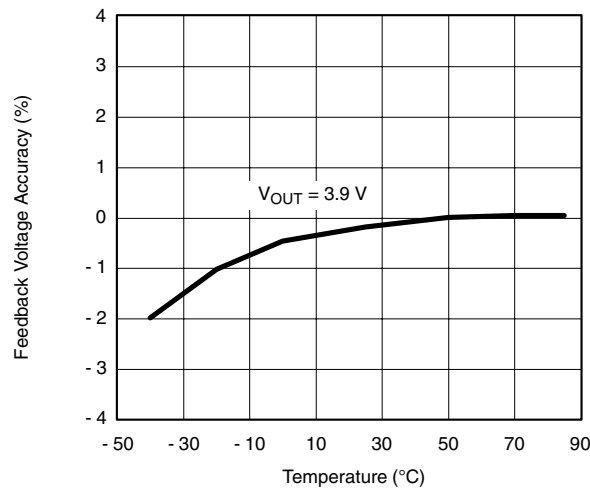
TYPICAL CHARACTERISTICS



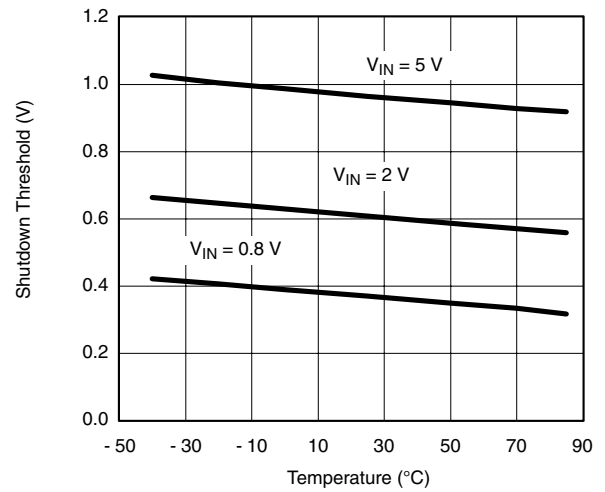
Maximum PWM Duty Cycle vs. Temperature



Supply Current vs. Temperature

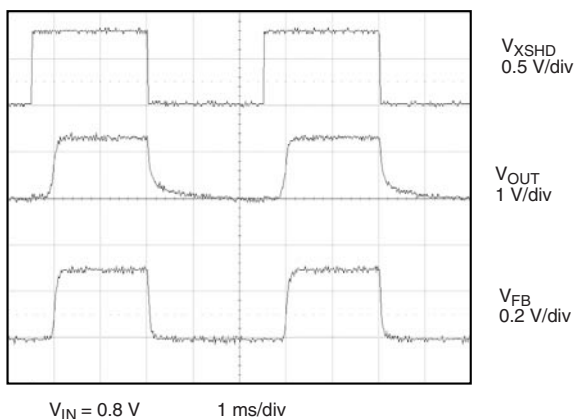


Feedback Voltage vs. Temperature



Shutdown Threshold vs. Temperature

TYPICAL WAVEFORMS



Four LEDs in series

Figure 2. PWM Dimming Control
 200 Hz 50 % Duty Cycle PWM Signal on XSHD Pin

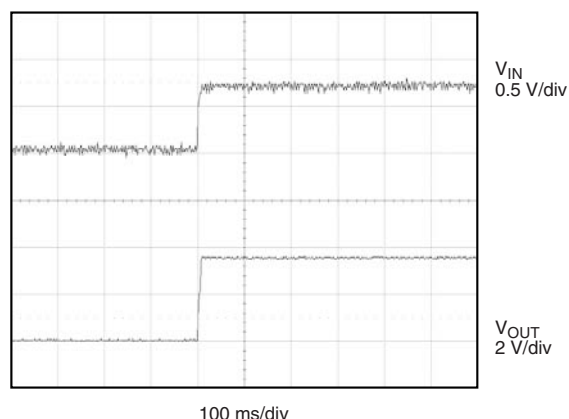


Figure 3. Startup
 $V_{IN} = V_{XSHD} = 0\text{ V to }0.8\text{ V}$

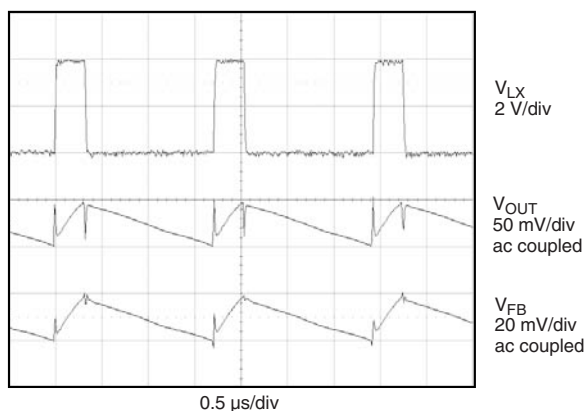
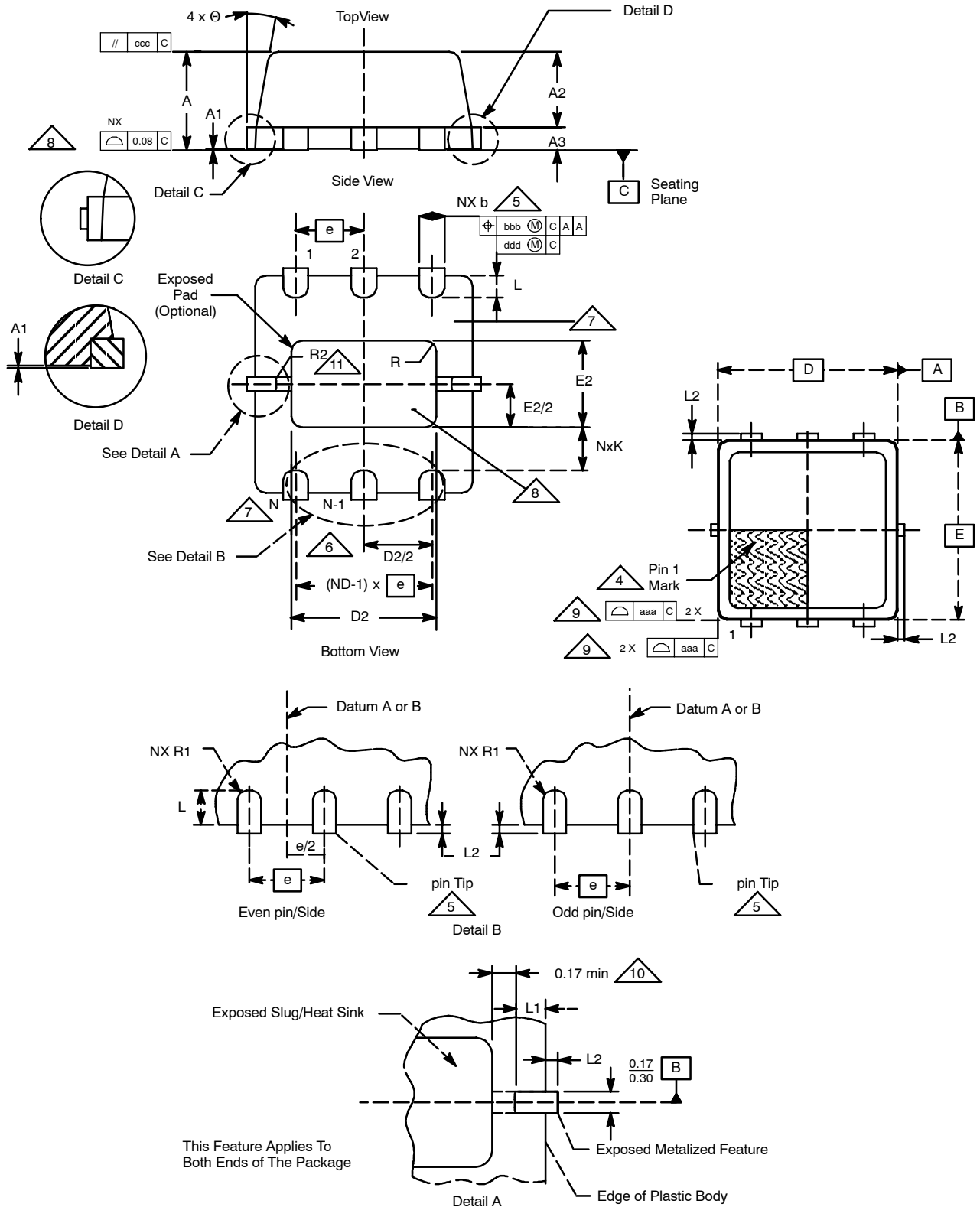


Figure 4. Switching Waveforms: V_{LX} , V_{OUT} and V_{FB}
 $V_{IN} = 0.8\text{ V}$, $L = 10\ \mu\text{H}$, $C_{OUT} = 4.7\ \mu\text{F}$, Four LEDs in Parallel

Vishay Siliconix maintains worldwide manufacturing capability. Products may be manufactured at one of several qualified locations. Reliability data for Silicon Technology and Package Reliability represent a composite of all qualified locations. For related documents such as package/tape drawings, part marking, and reliability data, see www.vishay.com/ppg?73192.



PowerPAK® MLP33-6, 8 and 10 (POWER IC ONLY)



Package Information



Vishay Siliconix

PowerPAK® MLP33-6, 8, 10

N = 6 PITCH: 0.95 mm
N = 8 PITCH: 0.65 mm
N = 10 PITCH: 0.50 mm

| Dim | MILLIMETERS* | | | | INCHES | | | | Notes |
|-----------|--------------|-------|-------|-------|--------|-------|-------|-------|---------|
| | Basic | Min | Nom | Max | Basic | Min | Nom | Max | |
| A | - | 0.80 | 0.90 | 1.00 | - | 0.031 | 0.035 | 0.039 | 1, 2 |
| A1 | - | 0.00 | 0.025 | 0.05 | - | 0.000 | 0.001 | 0.002 | 1, 2 |
| A2 | - | 0.65 | 0.70 | 0.75 | - | 0.026 | 0.028 | 0.030 | 1, 2 |
| A3 | - | 0.15 | 0.20 | 0.25 | - | 0.006 | 0.008 | 0.010 | 1, 2 |
| aaa | - | - | 0.10 | - | - | - | 0.004 | - | 1, 2 |
| b-6 | - | 0.33 | 0.35 | 0.43 | - | 0.013 | 0.014 | 0.017 | 1, 2, 8 |
| b-8 | - | 0.285 | 0.305 | 0.385 | - | 0.011 | 0.012 | 0.015 | 1, 2, 8 |
| b-10 | - | 0.18 | 0.20 | 0.28 | - | 0.007 | 0.008 | 0.011 | 1, 2, 8 |
| bbb | - | - | 0.10 | - | - | - | 0.004 | - | 1, 2 |
| ccc | - | - | 0.10 | - | - | - | 0.004 | - | 1, 2 |
| D | 3.00 | - | - | - | 0.118 | - | - | - | 1, 2, 8 |
| D2 | - | 1.92 | 2.02 | 2.12 | - | 0.076 | 0.080 | 0.083 | 1, 2, 8 |
| ddd | - | - | 0.05 | - | - | - | 0.002 | - | 1, 2 |
| E | 3.00 | - | - | - | 0.118 | - | - | - | 1, 2, 8 |
| E2 | - | 1.10 | 1.20 | 1.30 | - | 0.043 | 0.047 | 0.051 | 1, 2, 8 |
| e-6 | - | - | 0.95 | - | - | - | 0.037 | - | 1, 2 |
| e-8 | - | - | 0.65 | - | - | - | 0.026 | - | 1, 2 |
| e-10 | - | - | 0.50 | - | - | - | 0.020 | - | 1, 2 |
| K | - | 0.20 | - | - | - | 0.008 | - | - | 5, 11 |
| L | - | 0.20 | 0.29 | 0.45 | - | 0.008 | 0.011 | 0.018 | 1, 2, 8 |
| L1-6 | - | 0.16 | 0.24 | 0.40 | - | 0.006 | 0.009 | 0.016 | 1, 2, 8 |
| L1-8 | - | 0.16 | 0.24 | 0.40 | - | 0.006 | 0.009 | 0.016 | 1, 2, 8 |
| L1-10 | - | - | - | - | - | - | - | - | 1, 2, 8 |
| L2 | - | - | - | 0.125 | - | - | - | 0.005 | 5, 11 |
| R Ref | - | - | 0.15 | - | - | - | 0.006 | - | 1, 2, 8 |
| R1 Ref-6 | - | - | 0.127 | - | - | - | 0.005 | - | 1, 2, 8 |
| R1 Ref-8 | - | - | 0.15 | - | - | - | 0.006 | - | 1, 2, 8 |
| R1 Ref-10 | - | - | 0.075 | - | - | - | 0.003 | - | 1, 2, 8 |
| ⊖ | - | 0° | 10° | 12° | - | 0° | 10° | 12° | 1, 2 |

* Use millimeters as the primary measurement.

ECN: S-40082—Rev. A, 02-Feb-04
 DWG: 5925

NOTES:

1. Dimensioning and tolerancing conform to ASME Y14.5M-1994.
2. All dimensions are in millimeters. All angels are in degrees.
3. N is the total number of pins.

4. The pin #1 identifier and pin numbering convention shall conform to JESD 95-1 SPP-012. Details of pin #1 identifier is located within the zone indicated. The pin #1 identifier is marked.

5. Dimension b applies to metallized pin and is measured between 0.15 mm and 0.20 mm from the pin tip.

6. ND refers to the maximum number of pins on the D side.

7. Depopulation of pins is allowed and will be called out on the individual variation.

8. Coplanarity applies to the exposed heat sink slug as well as the pins.

9. Profile tolerance (aaa) will be applicable only to the plastic body and not to the metallized features (such as the pin tips and tie bars.) Metallized features may protrude a maximum of L2 from the plastic body profile.

10. L1 max is not called out, the metallized feature will extend to the exposed pad. Thus, the 0.17-mm gap does not apply.

11. The corner will be sharp unless otherwise specified with radius dimensions.



Disclaimer

ALL PRODUCT, PRODUCT SPECIFICATIONS AND DATA ARE SUBJECT TO CHANGE WITHOUT NOTICE TO IMPROVE RELIABILITY, FUNCTION OR DESIGN OR OTHERWISE.

Vishay Intertechnology, Inc., its affiliates, agents, and employees, and all persons acting on its or their behalf (collectively, "Vishay"), disclaim any and all liability for any errors, inaccuracies or incompleteness contained in any datasheet or in any other disclosure relating to any product.

Vishay makes no warranty, representation or guarantee regarding the suitability of the products for any particular purpose or the continuing production of any product. To the maximum extent permitted by applicable law, Vishay disclaims (i) any and all liability arising out of the application or use of any product, (ii) any and all liability, including without limitation special, consequential or incidental damages, and (iii) any and all implied warranties, including warranties of fitness for particular purpose, non-infringement and merchantability.

Statements regarding the suitability of products for certain types of applications are based on Vishay's knowledge of typical requirements that are often placed on Vishay products in generic applications. Such statements are not binding statements about the suitability of products for a particular application. It is the customer's responsibility to validate that a particular product with the properties described in the product specification is suitable for use in a particular application. Parameters provided in datasheets and/or specifications may vary in different applications and performance may vary over time. All operating parameters, including typical parameters, must be validated for each customer application by the customer's technical experts. Product specifications do not expand or otherwise modify Vishay's terms and conditions of purchase, including but not limited to the warranty expressed therein.

Except as expressly indicated in writing, Vishay products are not designed for use in medical, life-saving, or life-sustaining applications or for any other application in which the failure of the Vishay product could result in personal injury or death. Customers using or selling Vishay products not expressly indicated for use in such applications do so at their own risk and agree to fully indemnify and hold Vishay and its distributors harmless from and against any and all claims, liabilities, expenses and damages arising or resulting in connection with such use or sale, including attorneys fees, even if such claim alleges that Vishay or its distributor was negligent regarding the design or manufacture of the part. Please contact authorized Vishay personnel to obtain written terms and conditions regarding products designed for such applications.

No license, express or implied, by estoppel or otherwise, to any intellectual property rights is granted by this document or by any conduct of Vishay. Product names and markings noted herein may be trademarks of their respective owners.