

**PLEASE CHECK WWW.MOLEX.COM FOR LATEST PART INFORMATION**

**Part Number:** [0471554031](#)  
**Status:** **Active**  
**Overview:** serial\_ata\_signal\_plugs  
**Description:** 1.27mm (.050") Pitch Serial ATA High Speed Header, Vertical, Through Hole, with Locking Latch, 7 Circuits, Gold (Au) Flash, for 1.60mm (.063") PCB, Tail Length 2.10mm (.083"), Blue, Footprint A, with PCB Locator Pegs, Lead-free

**Documents:**

[3D Model](#) [Product Specification PS-67490-001 \(PDF\)](#)  
[Drawing \(PDF\)](#) [RoHS Certificate of Compliance \(PDF\)](#)

**General**

Product Family	PCB Headers
Series	<a href="#">47155</a>
Application	Board-to-Board, Wire-to-Board
Comments	Footprint A
Overview	<a href="#">serial_ata_signal_plugs</a>
Product Name	Serial ATA

**Physical**

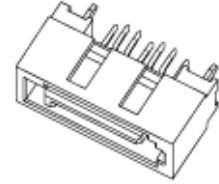
Breakaway	No
Circuits (Loaded)	7
Circuits (maximum)	7
Durability (mating cycles max)	500
First Mate / Last Break	Yes
Glow-Wire Compliant	No
Guide to Mating Part	No
Keying to Mating Part	None
Lock to Mating Part	Yes
Material - Plating Mating	Gold
Number of Rows	1
Orientation	Vertical
PC Tail Length (in)	0.083 In
PC Tail Length (mm)	2.10 mm
PCB Locator	Yes
PCB Retention	Yes
PCB Thickness Recommended (in)	0.062 In
PCB Thickness Recommended (mm)	1.60 mm
Packaging Type	Tray
Pitch - Mating Interface (in)	0.050 In
Pitch - Mating Interface (mm)	1.27 mm
Polarized to Mating Part	Yes
Polarized to PCB	Yes
Shrouded	Fully
Stackable	No
Surface Mount Compatible (SMC)	No
Temperature Range - Operating	-35°C to +85°C
Termination Interface: Style	Through Hole

**Electrical**

Current - Maximum per Contact	1.5A
Voltage - Maximum	15V

**Solder Process Data**

Lead-free Process Capability	Wave Capable (TH only)
Process Temperature max. C	230



*image - Reference only* *Series*

**EU RoHS**

**ELV and RoHS Compliant**  
**REACH SVHC**  
 Not Reviewed  
**Halogen-Free Status**

**China RoHS**



**Not Reviewed**

**Need more information on product environmental compliance?**

Email [productcompliance@molex.com](mailto:productcompliance@molex.com)  
 For a multiple part number RoHS Certificate of Compliance, [click here](#)

Please visit the [Contact Us](#) section for any non-product compliance questions.

**Search Parts in this Series**

[47155Series](#)

**Mates With**

[67489](#) Serial ATA Signal Connector

**Material Info**

**Reference - Drawing Numbers**

Packaging Specification

Product Specification

Sales Drawing

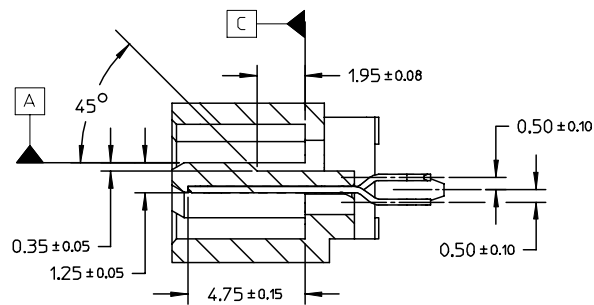
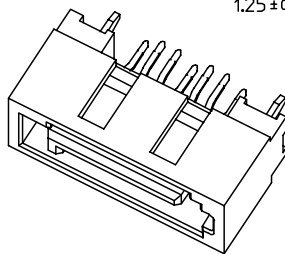
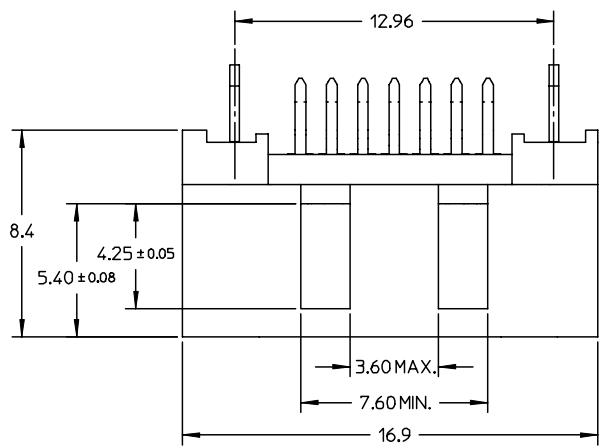
PK-67800-002

PS-67490-001, RPS-67490-002

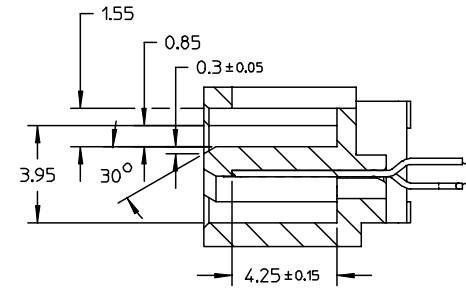
SD-47155-004

This document was generated on 05/26/2010

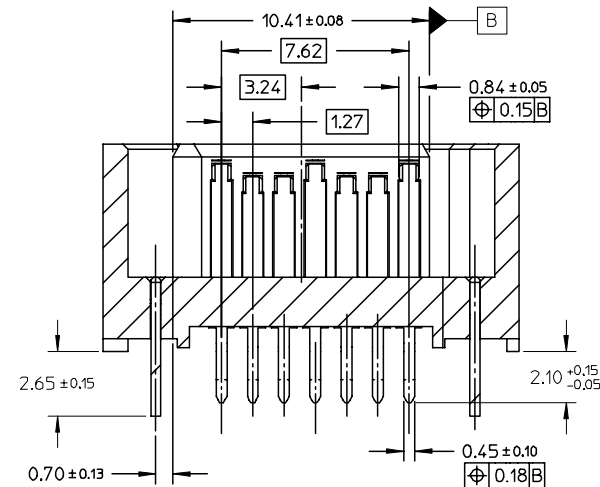
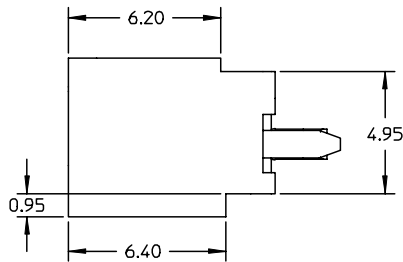
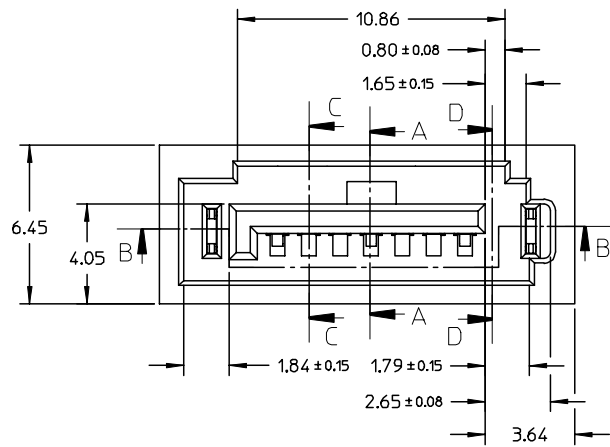
**PLEASE CHECK [WWW.MOLEX.COM](http://WWW.MOLEX.COM) FOR LATEST PART INFORMATION**



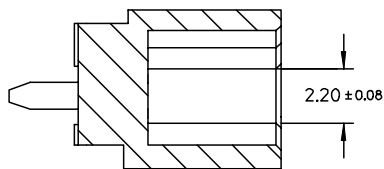
SECTION A-A



SECTION C-C



SECTION B-B



SECTION D-D

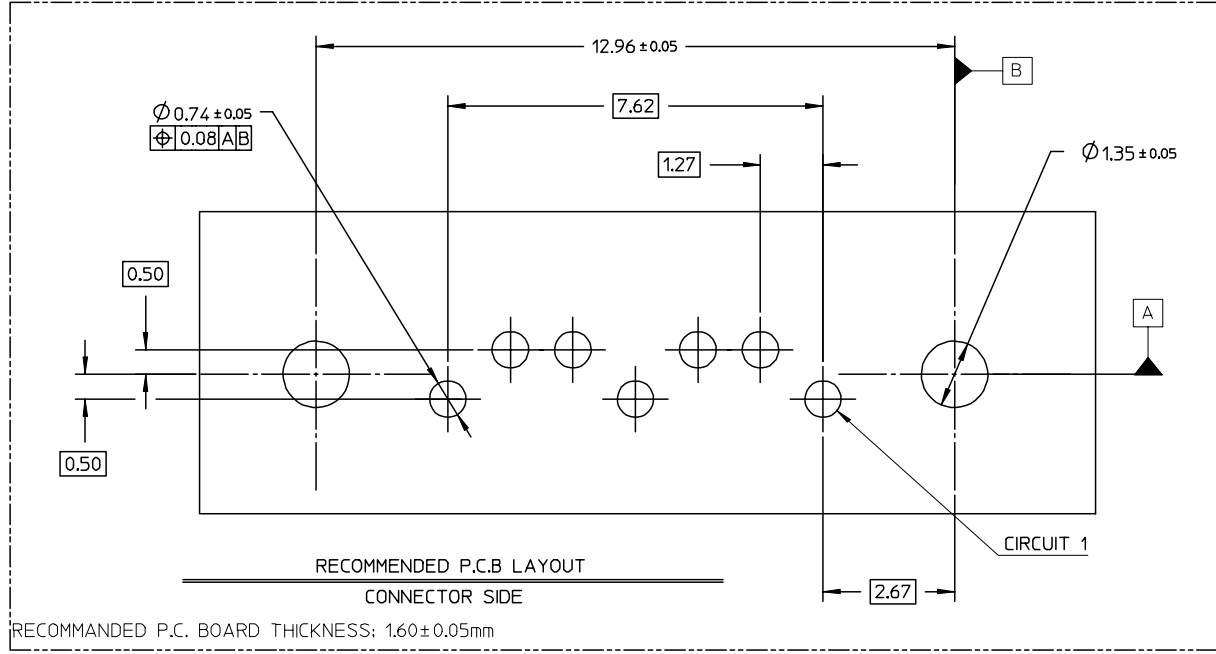
ADD PART NUMBER EC NO: SH2007-0134 DRWN: BCHENZ6 CHKD: JTIAN APPR: JNCHEN	DESCRIPTION 2006/09/01 2006/09/01 2006/09/08
---	---

QUALITY SYMBOLS	▽=0 ∇=0
-----------------	------------

GENERAL TOLERANCES (UNLESS SPECIFIED)	mm	INCH
4 PLACES	± ---	± ---
3 PLACES	± ---	± ---
2 PLACES	± 0.15	± ---
1 PLACE	± 0.25	± ---
ANGULAR ± 1 °		
DRAFT WHERE APPLICABLE MUST REMAIN WITHIN DIMENSIONS		

DIMENSION STYLE MM ONLY	
DRAWN BY GRATE	DATE 2004/08/05
CHECKED BY GRATE	DATE 2004/08/05
APPROVED BY VINCENT	DATE 2004/08/05
MATERIAL NO. SEE SHEET 2	

SCALE 5:1	DESIGN UNITS METRIC	THIRD ANGLE PROJECTION
TITLE HIGH SPEED CONNECTOR 1.27MM PITCH VERTICAL DIP SOLDER TAIL		
MOLEX INCORPORATED		
DOCUMENT NO. SD-47155-004	SHEET NO. 1 OF 2	



NOTES:

1. MATERIAL:  
HOUSING: THERMAL PLASTIC, COLOR: SEE CHART  
GLASS FILLED: UL94V-0  
TERMINAL/PEG: BRASS
2. TERMINAL PLATING:  
CONTACT AREA: GOLD FLASH  
SOLDER TAIL:  
TIN PLATED 1.27 MICRON MINIMUM OVER  
1.27 MICRON MINIMUM NICKEL UNDER PLATE
3. PEG PLATING:  
TIN PLATED 1.8 MICRON MINIMUM OVER  
1.27 MICRON MINIMUM NICKEL UNDER PLATE
4. PACKAGING: PK-67800-002
5. PRODUCT SPECIFICATION REFER TO PS-67490-001
6. RECOMMENDED PROCESS: WAVE SOLDERING
7. PRODUCT COMPLIANT TO RoHS DIRECTIVE 2002/95/EC AND ELV DIRECTIVE 2000/53/EC\*

471554061	SEE NOTE2	IVORY
471554051	SEE NOTE2	LIGHT BLUE
471554041	SEE NOTE2	NATURE COLOR
471554031	SEE NOTE2	PROCESS BLUE C DELTA E<3
471554001	SEE NOTE2	BLACK
MATERIAL NUMBER	PLATING TYPE	PLASTIC COLOR



ADD PART NUMBER EC NO: SH2007-0134 DRWN: BCHENZ6 CHKD: JTIAN APPR: JNCHEN	2006/09/01 2006/09/01 2006/09/08	QUALITY SYMBOLS ▽=0 ▽C=0	GENERAL TOLERANCES (UNLESS SPECIFIED)		DIMENSION STYLE MM ONLY		SCALE 1:1	DESIGN UNITS METRIC	THIRD ANGLE PROJECTION			
					4 PLACES ± --- ± ---	DRAWN BY DATE GRATE 2004/08/05		TITLE HIGH SPEED CONNECTOR 1.27MM PITCH VERTICAL DIP SOLDER TAIL				
					3 PLACES ± --- ± ---	CHECKED BY DATE GRATE 2004/08/05						
					2 PLACES ± 0.15 ± ---	APPROVED BY DATE VINCENT 2004/08/05		MATERIAL NO. DOCUMENT NO. SHEET NO. SEE TABLE SD-47155-004 2 OF 2				
		1 PLACE ± 0.25 ± ---										
		ANGULAR ± 1 °										
		DRAFT WHERE APPLICABLE MUST REMAIN WITHIN DIMENSIONS		SIZE A3		THIS DRAWING CONTAINS INFORMATION THAT IS PROPRIETARY TO MOLEX INCORPORATED AND SHOULD NOT BE USED WITHOUT WRITTEN PERMISSION						