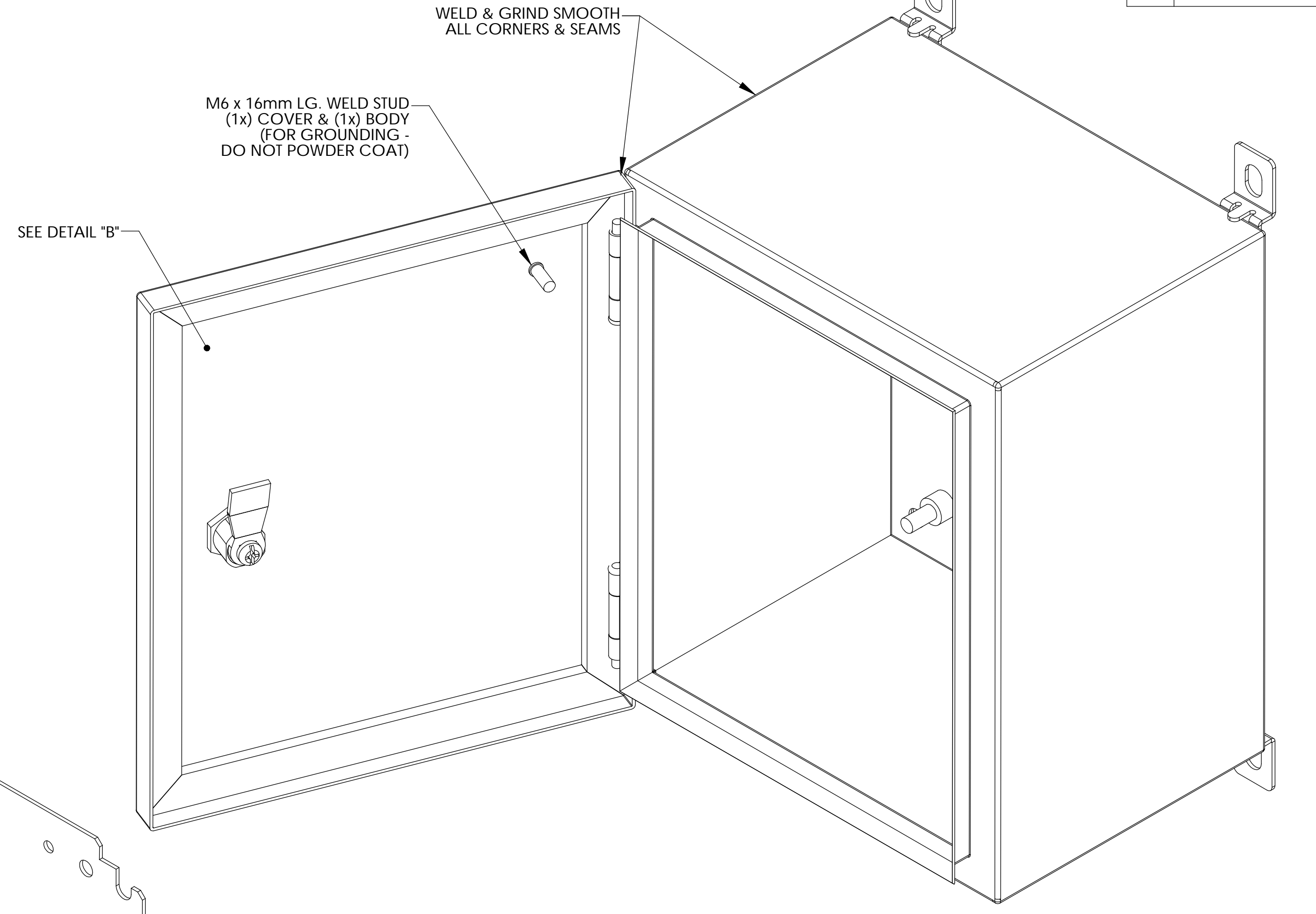
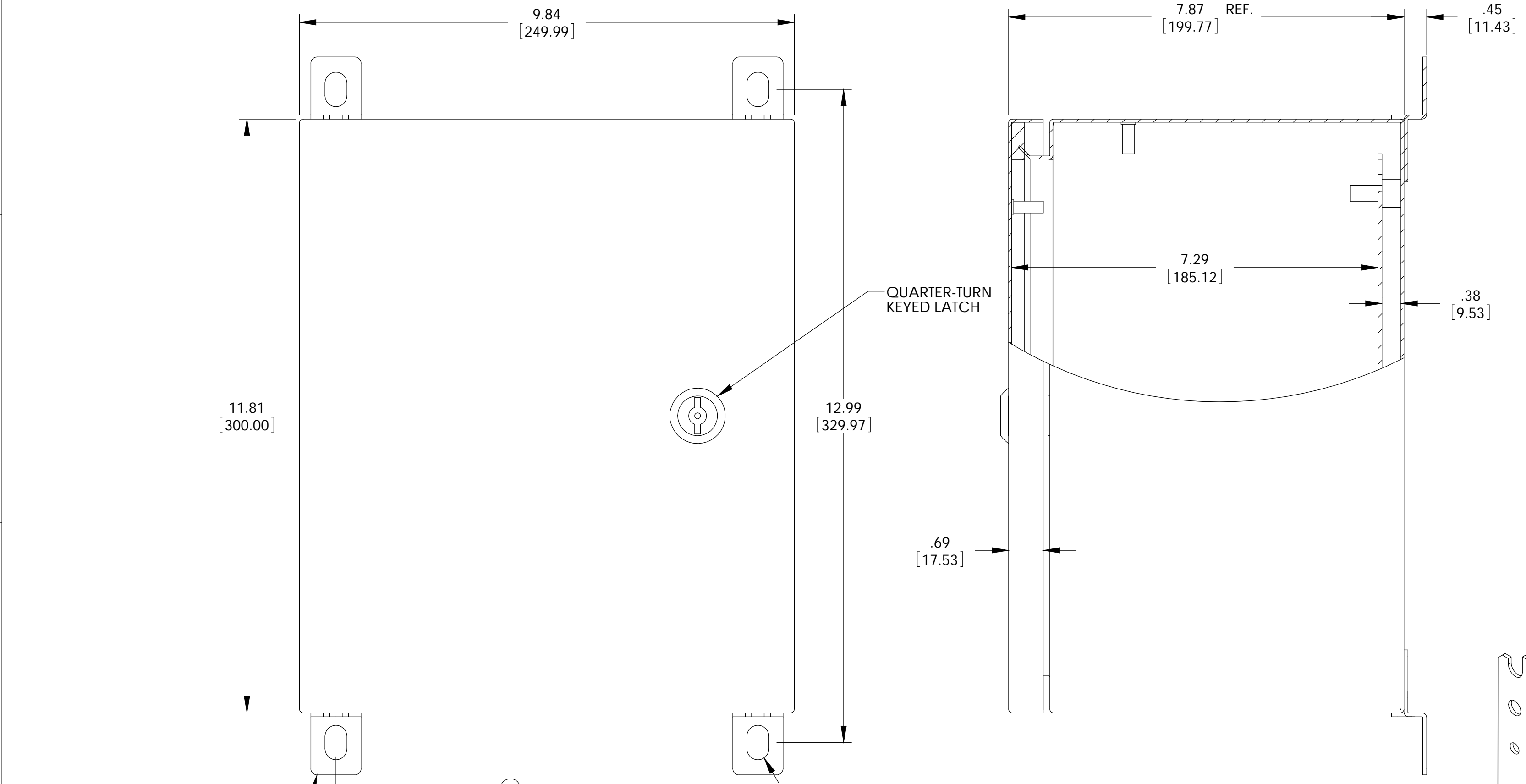
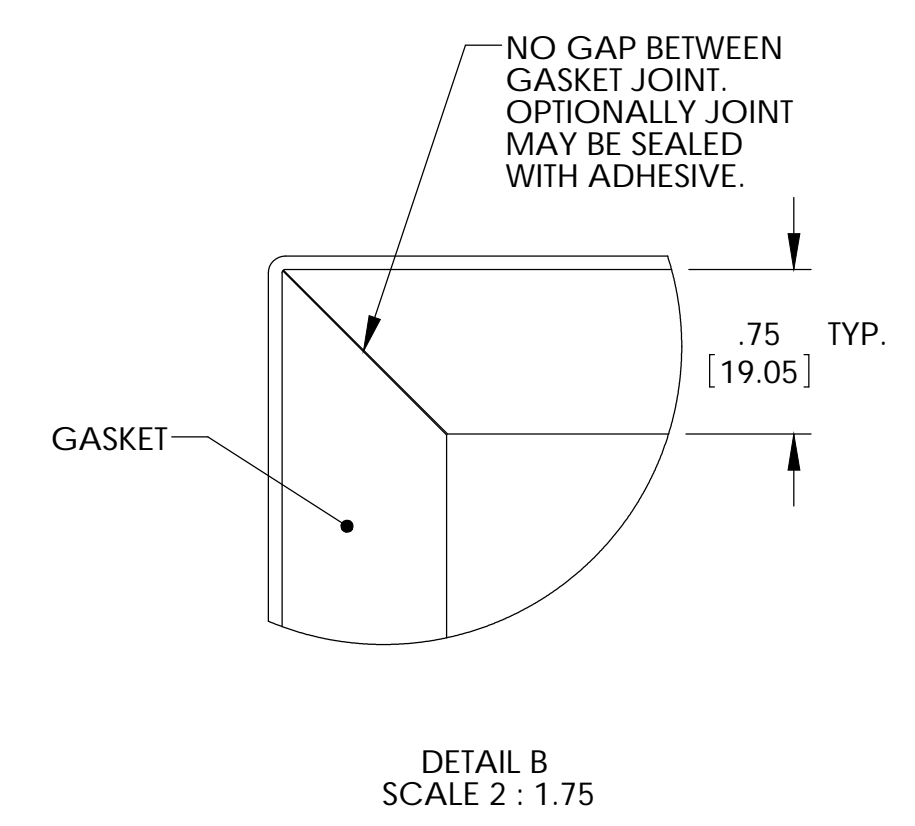
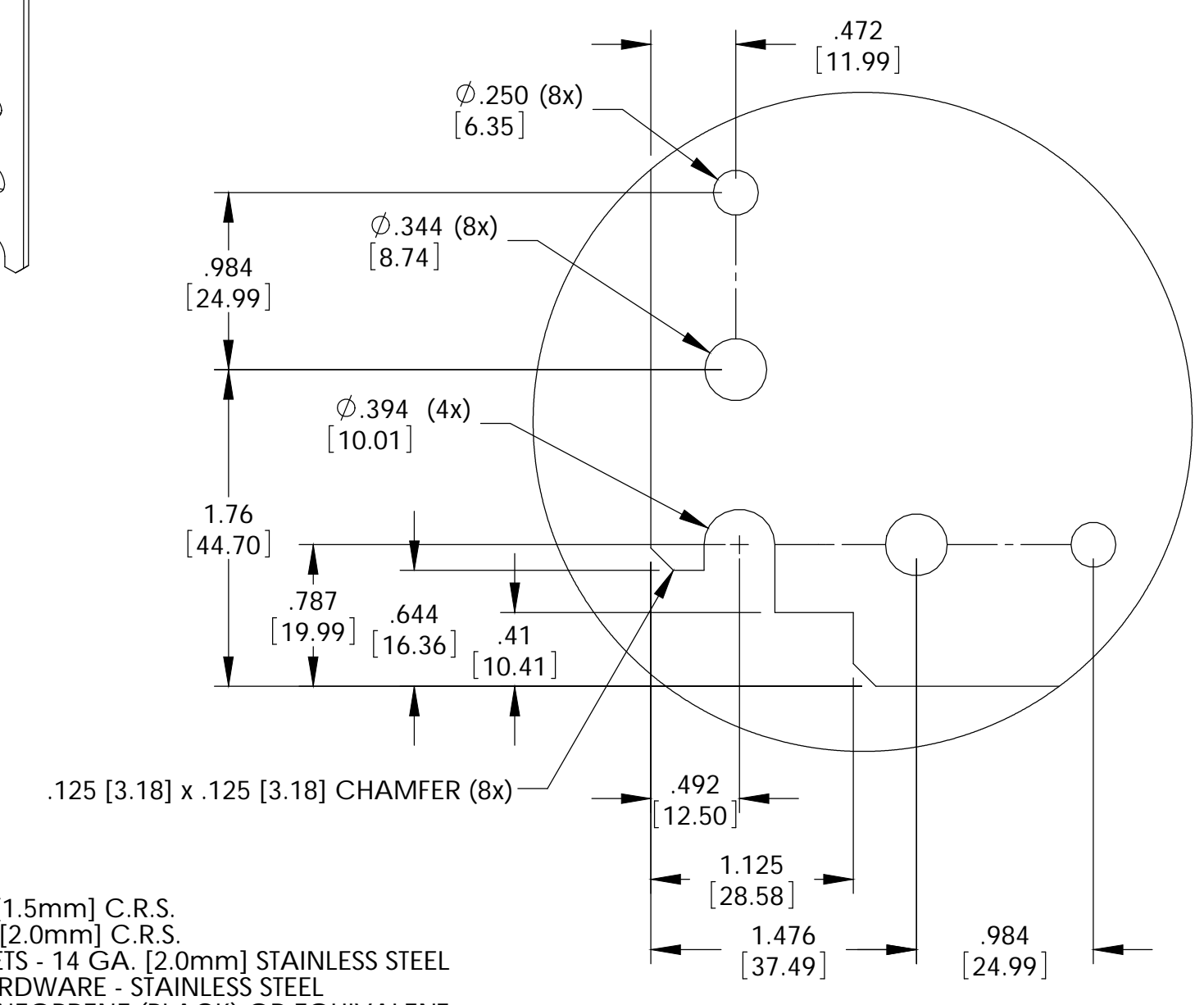
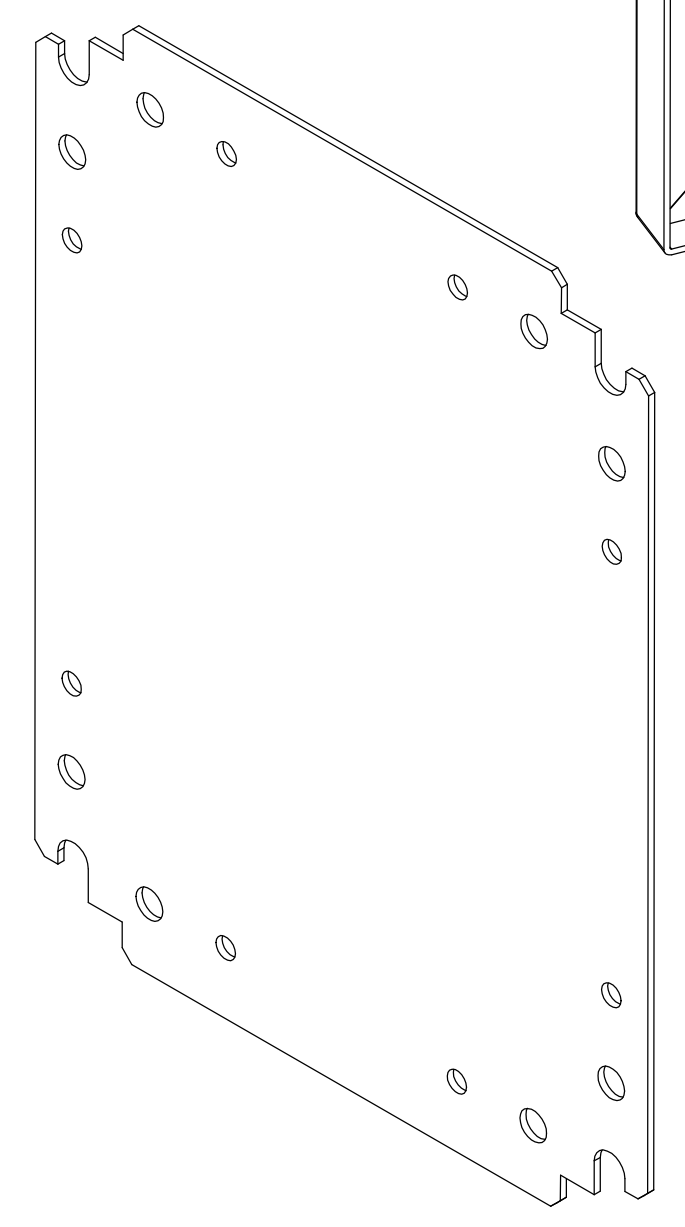
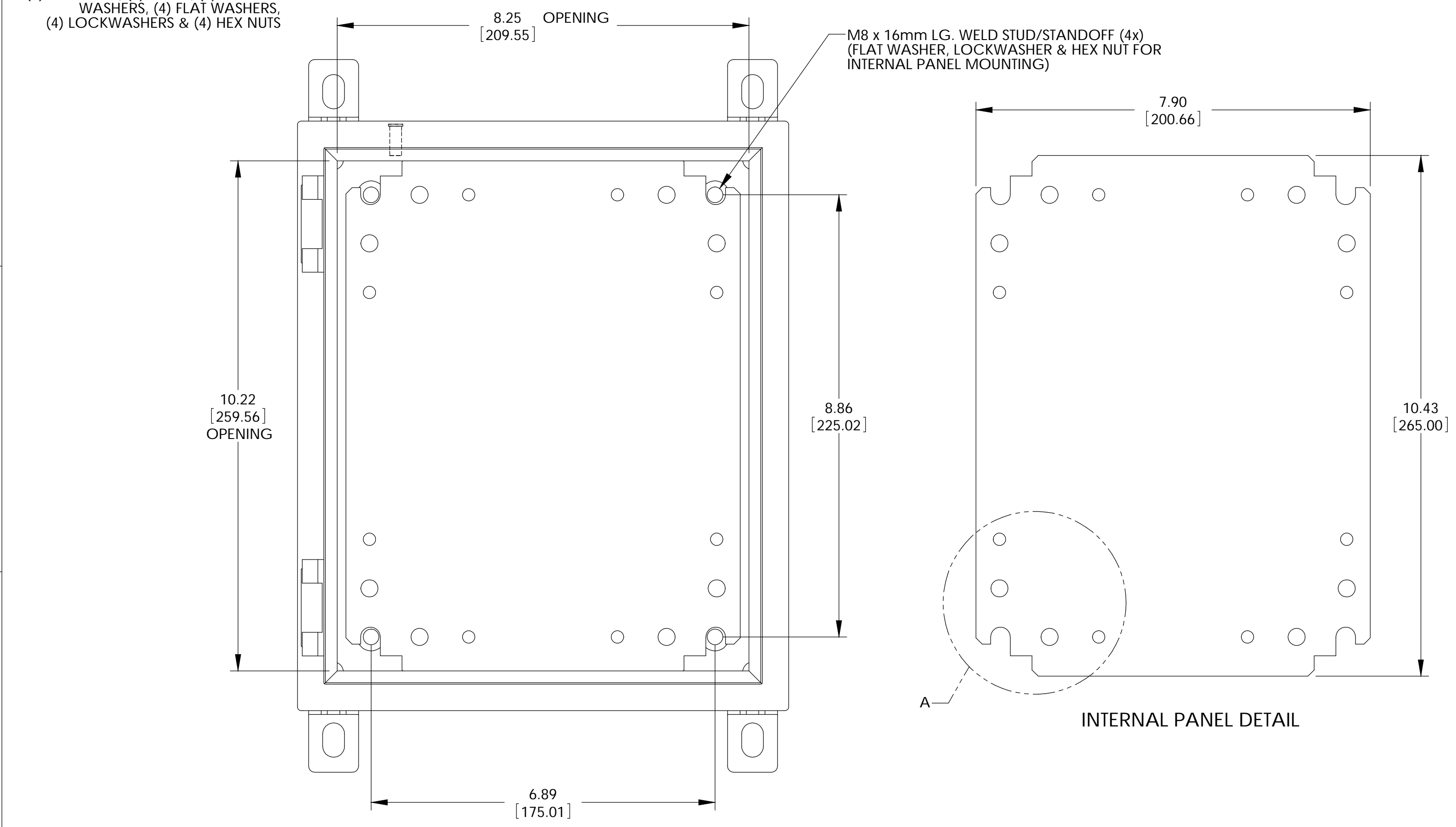


THE INFORMATION CONTAINED IN THIS DRAWING IS THE SOLE PROPERTY OF BUD INDUSTRIES INC. ANY REPRODUCTION IN PART OR WHOLE WITHOUT THE WRITTEN PERMISSION OF BUD INDUSTRIES INC. IS PROHIBITED.

DWG. NO.	SNB-3732
ISSUE	REVISIONS
(A)	PER ECN #10446 1-13-09 BT



WALL MOUNTING BRACKET KIT TO CONTAIN THE FOLLOWING:
(4) BRACKETS, (4) BOLTS, (4) SEALING WASHERS, (4) FLAT WASHERS, (4) LOCKWASHERS & (4) HEX NUTS



MATERIAL:
 BODY & COVER - 16 GA. [1.5mm] C.R.S.
 INTERNAL PANEL - 14 GA. [2.0mm] C.R.S.
 WALL MOUNTING BRACKETS - 14 GA. [2.0mm] STAINLESS STEEL
 HINGE PINS, STRIKER & HARDWARE - STAINLESS STEEL
 GASKET - .25 [6.35] THICK NEOPRENE (BLACK) OR EQUIVALENT
 SEALING WASHERS - BLACK NEOPRENE OR EQUIVALENT

FINISH:
 BODY & COVER - LIGHT GRAY SMOOTH POWDER COAT
 INTERNAL PANEL - ZINC CHROMATE
 WALL MOUNTING BRACKETS, HINGE PINS, STRIKER - NATURAL

PARTS LIST		BUD INDUSTRIES INC.	
UNLESS OTHERWISE SPECIFIED ALL DIMENSIONS ARE IN INCHES (MILLIMETERS)	CAD GENERATED DRAWING DO NOT MANUALLY UPDATE	DATE	9-21-07
TOLERANCES: DECIMALS: .005, .010, .015	DRAWN: DAB	CHECKED: DAB	DATE: 9-21-07
MATERIAL: AS NOTED	APPROVED:	NEMA SHEET METAL BOX	

FINISH: AS NOTED	APPROVED:	SIZE [DWG. NO.]: SNB-3732	REV.
QTY.	USED ON	SCALE [CAD FILE]	SHEET 1 OF 1