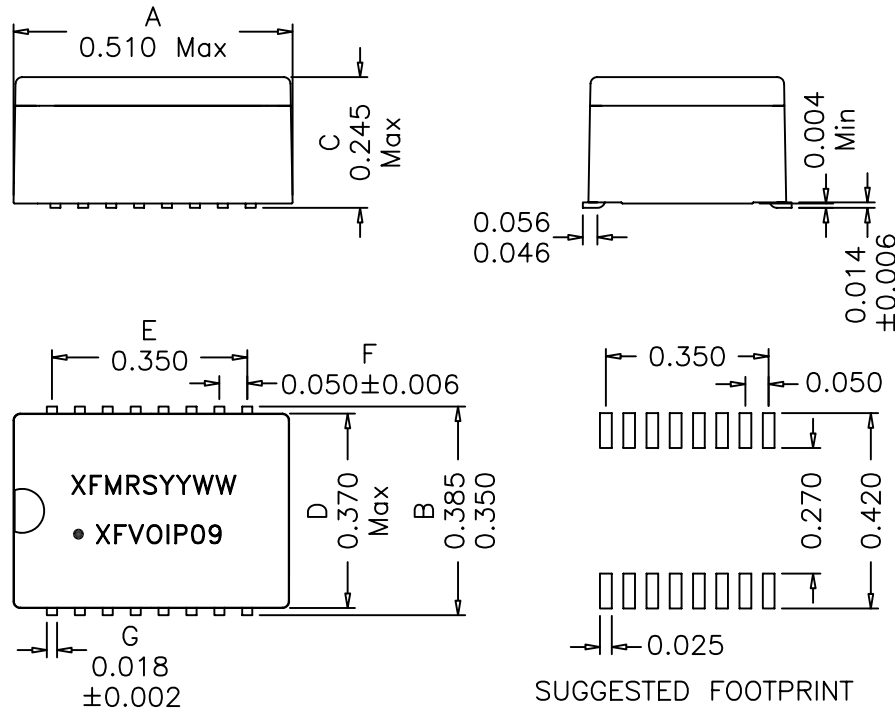
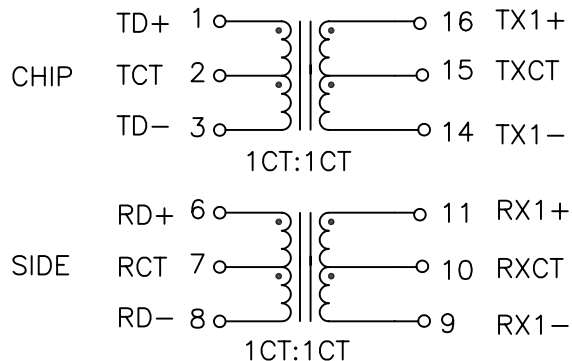


1. Mechanical Dimensions:



2. Schematic:



3. Electrical Specifications: @25°C

Isolation Voltage: 1500Vac

OCL: Pins 6-8 350uH Min @100KHz 0.1V, 8mA_{dc}

OCL: Pins 1-3 350uH Min @100KHz 0.1V, 8mA_{dc}

Insertion Loss: 1.2dB Max @1-100 MHz

Return Loss:	1-30MHz	40MHz	50MHz	60-80MHz
	16dB	14dB	13dB	12dB (Typ)

Differential to Common Mode Rejection:

	30MHz	60MHz	100MHz
	43dB	37dB	33dB (Min)

Cross Talk:	30MHz	60MHz	100MHz
	45dB	40dB	35dB (Min)

DC Current: 350mA

Q: 5 Min @10KHz 50mV

Notes:

- Solderability: Leads shall meet MIL-STD-202G, Method 208H for solderability.
- Flammability: UL94V-0
- ASTM oxygen index: > 28%
- Insulation System: Class F 155°C. UL file E151556
- Operating Temperature Range: All listed parameters are to be within tolerance from -40°C to +85°C
- Storage Temperature Range: -55°C to +125°C
- Aqueous wash compatible
- SMD Lead Coplanarity: ±0.004"(0.102mm)
- Electrical and mechanical specifications 100% tested
- RoHS Compliant Component

DOC. REV: B/1

XFMR INC www.XFMR.com	Title: 10/100TX VOICE OVER IP MAGNETICS MODULES			
	UNLESS OTHERWISE SPECIFIED TOLERANCES: .xxx ±0.010	P/N: XFVOIP-09	REV. B	
Dimensions in Inch	DWN.	Feng	Nov-24-11	
SHEET 1 OF 1	CHK.	YK Liao	Nov-24-11	
	APP.	BW	Nov-24-11	