

PLEASE CHECK WWW.MOLEX.COM FOR LATEST PART INFORMATION

Part Number: [0394210006](#)
Status: **Active**
Description: 12.00mm (.472") Pitch Beau™ EuroMax™ Horizontal Plug, 6 Circuits

Documents:

[Drawing \(PDF\)](#) [RoHS Certificate of Compliance \(PDF\)](#)

General

| | |
|----------------|-----------------------|
| Product Family | Terminal Blocks |
| Series | 39421 |
| Application | Wire-to-Board |
| Component Type | Plug |
| Product Name | EuroMax™ Pluggable |
| Type | Euro Block |

Physical

| | |
|--------------------------------|------------------------|
| Circuits (Loaded) | 6 |
| Color - Resin | Black |
| Entry Angle | 180° Angle |
| Lock to Mating Part | Yes |
| Material - Metal | Brass |
| Material - Plating Mating | Tin |
| Material - Plating Termination | Tin |
| Material - Resin | Polyester |
| Number of Rows | 1 |
| Orientation | Horizontal |
| PCB Retention | N/A |
| Panel Mount | No |
| Pitch - Mating Interface (in) | 0.472 In |
| Pitch - Mating Interface (mm) | 12.00 mm |
| Plating min: Mating (µin) | 150 |
| Plating min: Mating (µm) | 3.75 |
| Plating min: Termination (µin) | 150 |
| Plating min: Termination (µm) | 3.75 |
| Polarized to Mating Part | Yes |
| Stackable | No |
| Temperature Range - Operating | 130°C |
| Wire Size AWG | 10, 12, 14, 3, 4, 6, 8 |

Electrical

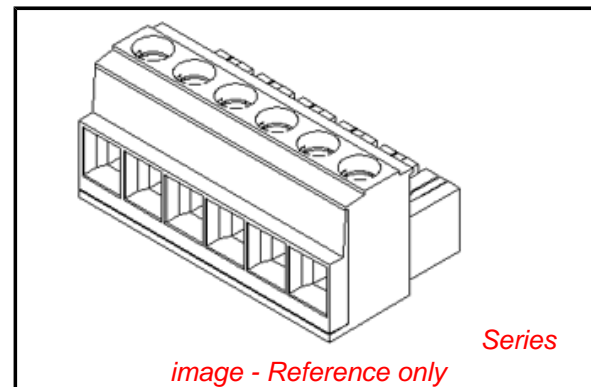
| | |
|-------------------------------|------|
| Current - Maximum per Contact | 85A |
| Voltage - Maximum | 600V |

Material Info

| | |
|-----------------|--------|
| Old Part Number | 420506 |
|-----------------|--------|

Reference - Drawing Numbers

| | |
|---------------|--------------|
| Sales Drawing | SD-39421-001 |
|---------------|--------------|



EU RoHS

RoHS Compliant by Exemption
REACH SVHC
 Not Reviewed
Halogen-Free
Status
Not Reviewed

China RoHS



Need more information on product environmental compliance?

Email productcompliance@molex.com
 For a multiple part number RoHS Certificate of Compliance, [click here](#)

Please visit the [Contact Us](#) section for any non-product compliance questions.

Search Parts in this Series

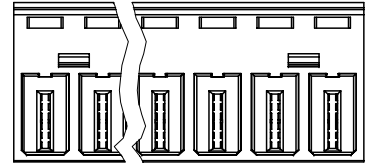
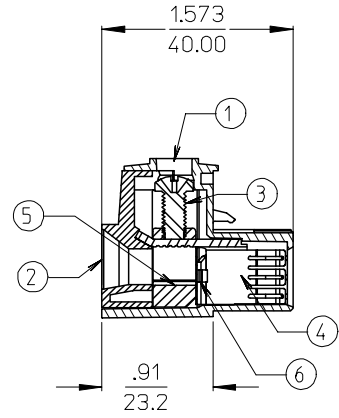
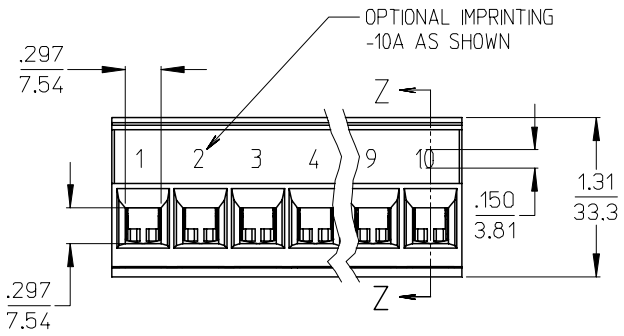
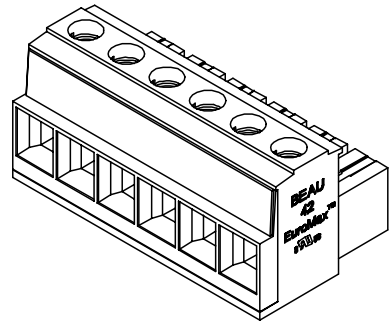
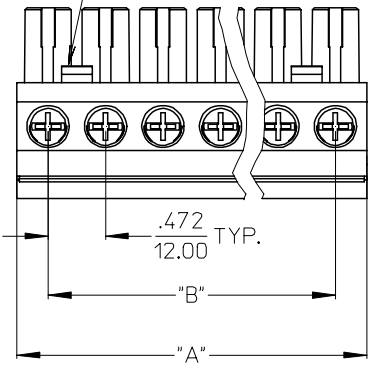
[39421Series](#)

Mates With

[39425-0006](#) Horizontal PCB Header

| LENGTH TABLE | | | | |
|--------------|--------------|------------|-------------------------|--------------------------|
| NO. CIRCUITS | "B" | "A" | MATERIAL NO. (STANDARD) | MATERIAL NO. (-10A OPT.) |
| 02 | .472/12.00 | .98/25.0 | 39421-0002 | 39421-1002 |
| 03 | .945/24.00 | 1.46/37.0 | 39421-0003 | 39421-1003 |
| 04 | 1.417/36.00 | 1.93/49.0 | 39421-0004 | 39421-1004 |
| 05 | 1.890/48.00 | 2.40/61.0 | 39421-0005 | 39421-1005 |
| 06 | 2.362/60.00 | 2.87/73.0 | 39421-0006 | 39421-1006 |
| 07 | 2.835/72.00 | 3.35/85.0 | 39421-0007 | 39421-1007 |
| 08 | 3.307/84.00 | 3.82/97.0 | 39421-0008 | 39421-1008 |
| 09 | 3.780/96.00 | 4.29/109.0 | 39421-0009 | 39421-1009 |
| 10 | 4.252/108.00 | 4.76/121.0 | 39421-0010 | 39421-1010 |

2 AND 3 CIRCUIT PARTS HAVE ONE LATCH DETAIL POSITIONED ON THIS END.



- NOTES:
1. MATERIAL: SEE TABLE
 2. FINISHES: SEE TABLE
 3. PRODUCT SPECIFICATION: SEE PPS.42.002.DOC
 4. PACKAGING: NOT REQUIRED
 5. MATES WITH: 3942500XX HEADER
 6. XX EQUALS NUMBER OF CIRCUITS

| 6 | XX | BACK PLATE | PHOS. BRONZE | TIN |
|------|------|-------------------------------|--------------|--------|
| 5 | XX | PRESSURE CLAMP | BRASS | NICKEL |
| 4 | XX | TERMINAL | COPPER ALLOY | TIN |
| 3 | XX | SCREW, M5 PAN HEAD, POZI-SLOT | S.S. | TIN |
| 2 | 1 | MOLDING, COVER | PBT | BLACK |
| 1 | 1 | MOLDING, BODY | PBT | BLACK |
| ITEM | QTY. | DESCRIPTION | MATERIAL | FINISH |

| REV | DESCRIPTION |
|-----|-------------------------|
| J | CHNG SCREW TYPE |
| I | EC NO: ETC2006-0217 |
| H | DRWN:ASVDEH 2006/02/06 |
| G | CHKD:RSTONE 2006/02/07 |
| F | APPR:RDEROSS 2006/02/09 |

| QUALITY SYMBOLS | |
|-----------------|----|
| | =0 |
| | =0 |

| GENERAL TOLERANCES (UNLESS SPECIFIED) | |
|---------------------------------------|--------------|
| | mm INCH |
| 4 PLACES | ± --- ±.0015 |
| 3 PLACES | ±0.038 ±.005 |
| 2 PLACES | ±0.13 ±.01 |
| 1 PLACE | ±0.3 ±.1 |
| ANGULAR ±1/2° | |

| DIMENSION STYLE | | SCALE | DESIGN UNITS | THIRD ANGLE PROJECTION |
|-----------------|---|-----------------------|--------------|------------------------|
| IN/MM | | 4:1 | INCH | |
| DRAWN BY | DATE | TITLE | | |
| RKEMP | 03/07/21 | PLUG, 12MM, 85A, 600V | | |
| CHECKED BY | DATE | #10-#3 AWG | | |
| PWALTZ | 03/08/05 | | | |
| APPROVED BY | DATE | MOLEX INCORPORATED | | |
| G.ROBERTSON | 03/08/05 | | | |
| MATERIAL NO. | DOCUMENT NO. | SHEET NO. | | |
| SEE CHART | SD-39421-001 | 1 OF 1 | | |
| SIZE B | THIS DRAWING CONTAINS INFORMATION THAT IS PROPRIETARY TO MOLEX INCORPORATED AND SHOULD NOT BE USED WITHOUT WRITTEN PERMISSION | | | |