

isc Silicon NPN Darlington Power Transistor

2SD2112

DESCRIPTION

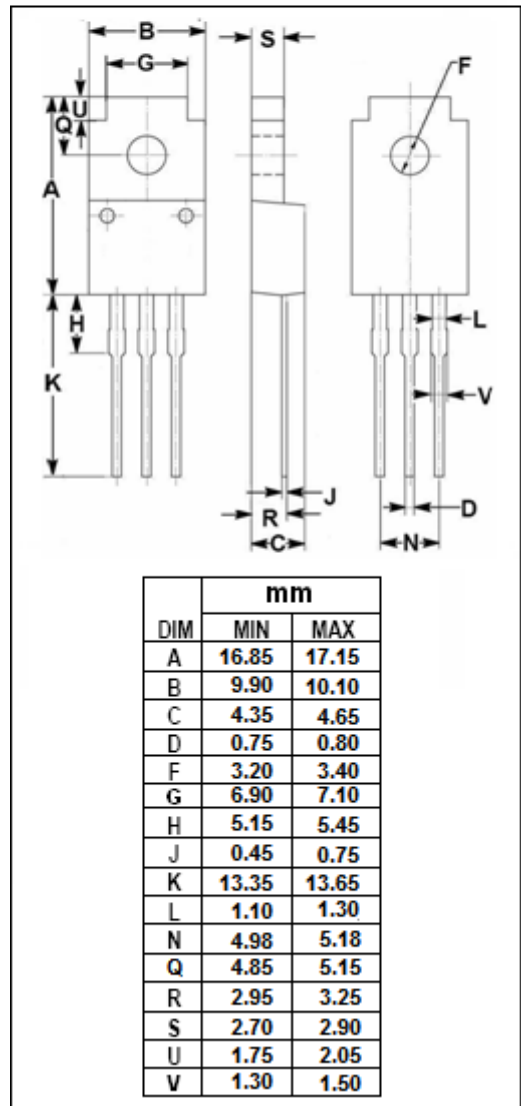
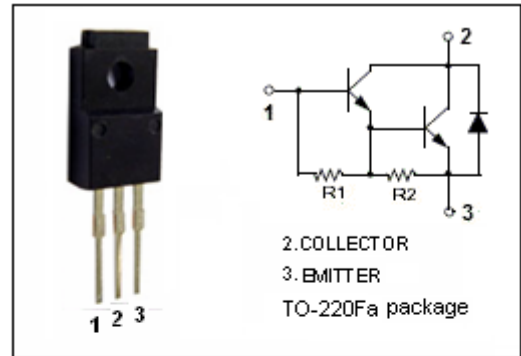
- Collector-Emitter Breakdown Voltage-
: $V_{(BR)CEO} = 120V(\text{Min})$
- Collector-Emitter Saturation Voltage-
: $V_{CE(sat)} = 1.5V(\text{Max}) @ I_C = 3A$
- High DC Current Gain
: $h_{FE} = 1000(\text{Min}) @ I_C = 3A, V_{CE} = 3V$

APPLICATIONS

- Designed for low frequency power amplifier applications

ABSOLUTE MAXIMUM RATINGS($T_a=25^\circ\text{C}$)

SYMBOL	PARAMETER	VALUE	UNIT
V_{CBO}	Collector-Base Voltage	120	V
V_{CEO}	Collector-Emitter Voltage	120	V
V_{EBO}	Emitter-Base Voltage	7	V
I_C	Collector Current-Continuous	6	A
I_{CM}	Collector Current-Peak	12	A
P_C	Collector Power Dissipation @ $T_C=25^\circ\text{C}$	25	W
	Collector Power Dissipation @ $T_a=25^\circ\text{C}$	2	
T_J	Junction Temperature	150	$^\circ\text{C}$
T_{stg}	Storage Temperature Range	-55~150	$^\circ\text{C}$



isc Silicon NPN Darlington Power Transistor

2SD2112

ELECTRICAL CHARACTERISTICS

 $T_C=25^{\circ}\text{C}$ unless otherwise specified

SYMBOL	PARAMETER	CONDITIONS	MIN	TYP.	MAX	UNIT
$V_{(BR)CEO}$	Collector-Emitter Breakdown Voltage	$I_C= 25\text{mA}$; $R_{BE}= \infty$	120			V
$V_{(BR)CBO}$	Collector-Base Breakdown Voltage	$I_C= 0.1\text{mA}$; $I_E= 0$	120			V
$V_{(BR)EBO}$	Emitter-Base Breakdown Voltage	$I_E= 50\text{mA}$; $I_C= 0$	7			V
$V_{CE(sat)-1}$	Collector-Emitter Saturation Voltage	$I_C= 3\text{A}$; $I_B= 6\text{mA}$			1.5	V
$V_{CE(sat)-2}$	Collector-Emitter Saturation Voltage	$I_C= 6\text{A}$; $I_B= 60\text{mA}$			3.0	V
$V_{BE(sat)-1}$	Base-Emitter Saturation Voltage	$I_C= 3\text{A}$; $I_B= 6\text{mA}$			2.0	V
$V_{BE(sat)-2}$	Base-Emitter Saturation Voltage	$I_C= 6\text{A}$; $I_B= 60\text{mA}$			3.5	V
I_{CBO}	Collector Cutoff Current	$V_{CB}= 100\text{V}$; $I_E= 0$			10	μA
I_{CEO}	Collector Cutoff Current	$V_{CE}= 100\text{V}$; $R_{BE}= \infty$			10	μA
h_{FE}	DC Current Gain	$I_C= 3\text{A}$; $V_{CE}= 3\text{V}$	1000		20000	
V_{ECF}	C-E Diode Forward Voltage	$I_F= 6\text{A}$			3.0	V