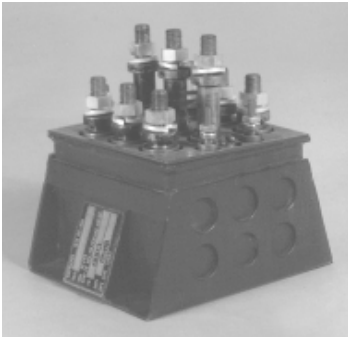
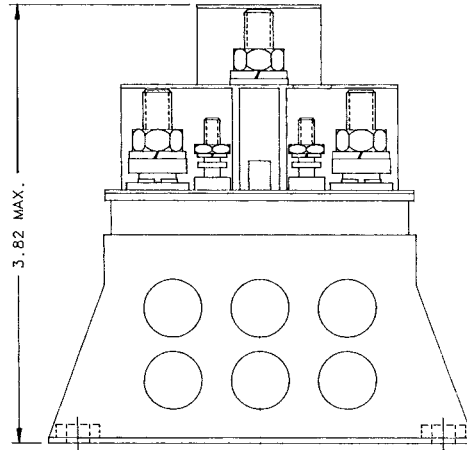
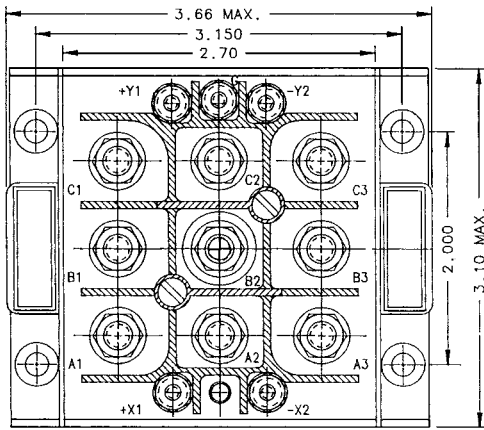


**NH-505 3PDT, Center Off, 90 Amps,
115/200 VAC, 400 Hz**

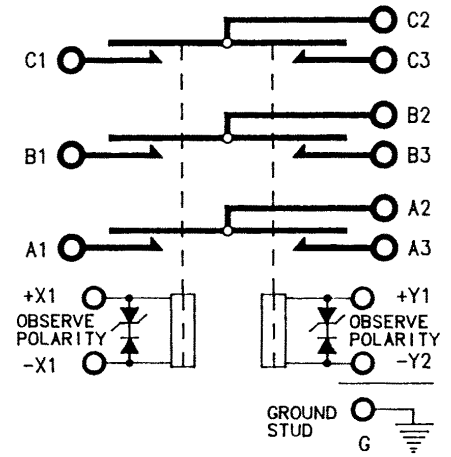


Features:

- 3PDT Center Off Main Contacts
- Transient Suppression
- Mechanically Interlocked
- 115/200 VAC, 400 Hz
- 90 Amps
- High Reliability
- Meets many requirements of MIL-R-6106



CONTACTOR CONFIGURATION



Dimensions for this product are expressed in inches.
Multiply values by 25.4 for millimeters.

Notes:

PRODUCT SPECIFICATIONS	
Construction	Hermetically Sealed
Main Contacts:	
Configuration	3PDT Center Off
Voltage (Nominal)	115/200 VAC, 400 Hz
Current (Resistive)	90 Amps
Coil Data:	
Duty Cycle	Continuous
Voltage (Nominal)	28 VDC
Pick-Up Voltage	18 VDC at 25°C, 20 VDC at 71°C
Drop-Out Voltage	1.5 - 7 VDC
Coil Current @ 28 VDC & +25°C	0.24 Amps Maximum
Operating Temperature	-55°C to +71°C
Life:	
Mechanical	100,000 Cycles
Weight	1.88 Lb.

For factory-direct application assistance, contact the HARTMAN product team at (419) 521-9500, Fax (419) 526-2749.

© 2004 by Tyco Electronics Corporation. All Rights Reserved.
HARTMAN and TYCO are trademarks.