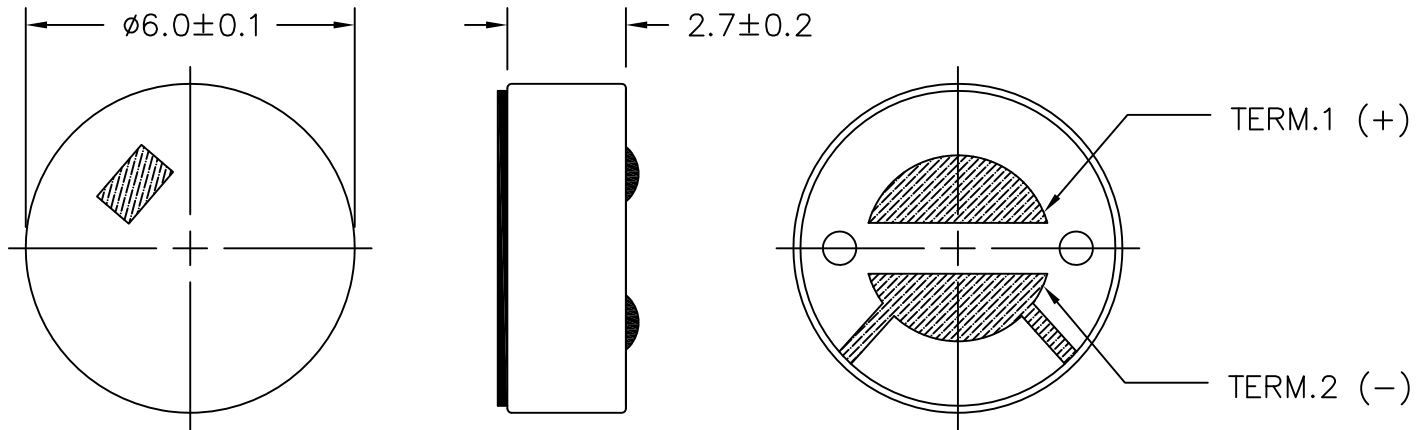


THIS DOCUMENT CONTAINS DATA PROPRIETARY TO PROJECTS UNLIMITED, INC. ANY USE OR REPRODUCTION, IN ANY FORM, WITHOUT PRIOR WRITTEN PERMISSION OF PROJECTS UNLIMITED, INC. IS PROHIBITED.  
© 2005, Projects Unlimited Inc.

### SPECIFICATIONS

| PARAMETERS                   | VALUES           | UNITS |
|------------------------------|------------------|-------|
| DIRECTIVITY                  | NOISE CANCELLING | -     |
| SENSITIVITY                  | -51±4            | dB    |
| STANDARD OPERATING VOLTAGE   | 2                | Vdc   |
| MAX OPERATING VOLTAGE        | 10               | Vdc   |
| CURRENT CONSUMPTION (MAX)    | 0.5              | mA    |
| IMPEDANCE                    | 2.2              | KOhm  |
| SIGNAL TO NOISE RATIO (MIN.) | 55               | dB    |
| MAXIMUM SOUND INPUT          | 110              | dB    |
| OPERATING TEMPERATURE        | -20 ~ +70        | °C    |
| STORAGE TEMPERATURE          | -40 ~ +85        | °C    |
| TERMINAL                     | SOLDER PADS      | -     |
| INTERNAL CAPACITOR           | N/A              | pF    |

| REVISIONS |                               |         |          |
|-----------|-------------------------------|---------|----------|
| LTR       | DESCRIPTION                   | DATE    | APPROVED |
| -         | RELEASED FROM ENGINEERING     | 1/30/06 |          |
| A         | ADDED TERMINAL POLARITY       | 2/1/07  | D.F.     |
| B         | REVISED ELECTRICAL PARAMETERS | 2/4/10  | B.R.     |



**NOTES:**

1. ALL DIMENSIONS ARE IN MILLIMETERS.
2. SPECIFICATION SUBJECT TO CHANGE OR WITHDRAWAL WITHOUT NOTICE.
3. THIS PART IS RoHS 2002/95/EC COMPLIANT.

UNLESS OTHERWISE SPECIFIED:  
DIMENSIONS ARE IN MILLIMETERS, TOLERANCES ARE  $\pm 0.5$  AND ANGLES ARE  $\pm 3^\circ$ .

**projects® unlimited** Dayton, Ohio

MICROPHONE

| APPROVALS            | DATE |
|----------------------|------|
| DRAWN <i>J.A.F.</i>  | 1/06 |
| CHECKED <i>E.P.</i>  | 1/06 |
| APPROVED <i>B.R.</i> | 1/06 |

SIZE **A** DRAWING NO. **PNM-2751L-R**

FILE NAME  
**PNM-2751L-R.DWG**

DO NOT SCALE DRAWING

SCALE: N.T.S.

SHEET 1 OF 1